

SMA Female to MC-Card Plug Adapter

Electrical Specifications

Description	Min	Typ	Max	Units
Frequency Range	DC		6	GHz
DWV (AC)			250	Vrms

Mechanical Specifications

Size	
Length	0.669 in [16.99 mm]
Weight	0.00573 lbs [2.6 g]

Description	Connector 1	Connector 2
Type	SMA Female	MC-Card Plug
Connection Method	Standard	Standard
Polarity	Standard	Standard
Mating Cycles	500	

Material Specifications

Description	Connector 1	Connector 2
Type	SMA Female	MC-Card Plug
Contact Material	Beryllium Copper	Beryllium Copper
Contact Plating	Gold	Gold
Contact Plating Spec.	MIL-G-45204	MIL-G-45204
Insulation Material	PTFE	PTFE
Body Material	Brass	Brass
Body Plating	Gold	Gold

Environmental Specifications

Temperature	
Operating Range	-65 to +125 deg C
Vibration	MIL-STD-202 201A 10-55 Hz 120 Cycles 1 min/cycle

Compliance Certifications (see [product page](#) for current document)

Plotted and Other Data

Notes:



Configuration:

- SMA Female Connector 1
- MC-Card Plug Connector 2
- 50 Ohms
- Straight Body Geometry

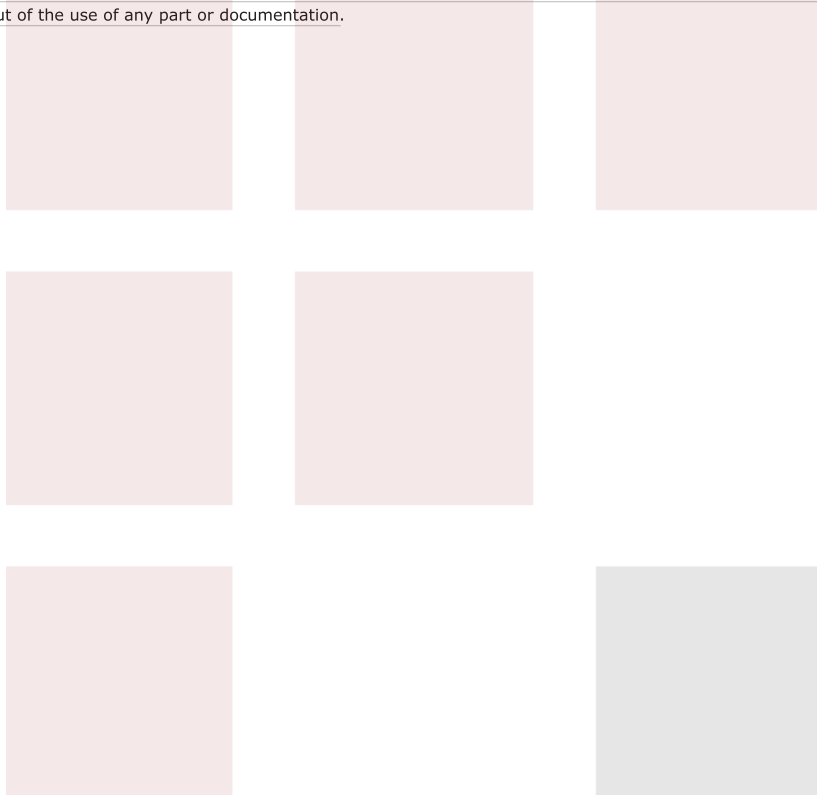
Fairview Microwave
 1130 Junction Dr. #100
 Allen, TX 75013
 Tel: 1-800-715-4396 / (972) 649-6678
 Fax: (972) 649-6689
www.fairviewmicrowave.com
sales@fairviewmicrowave.com

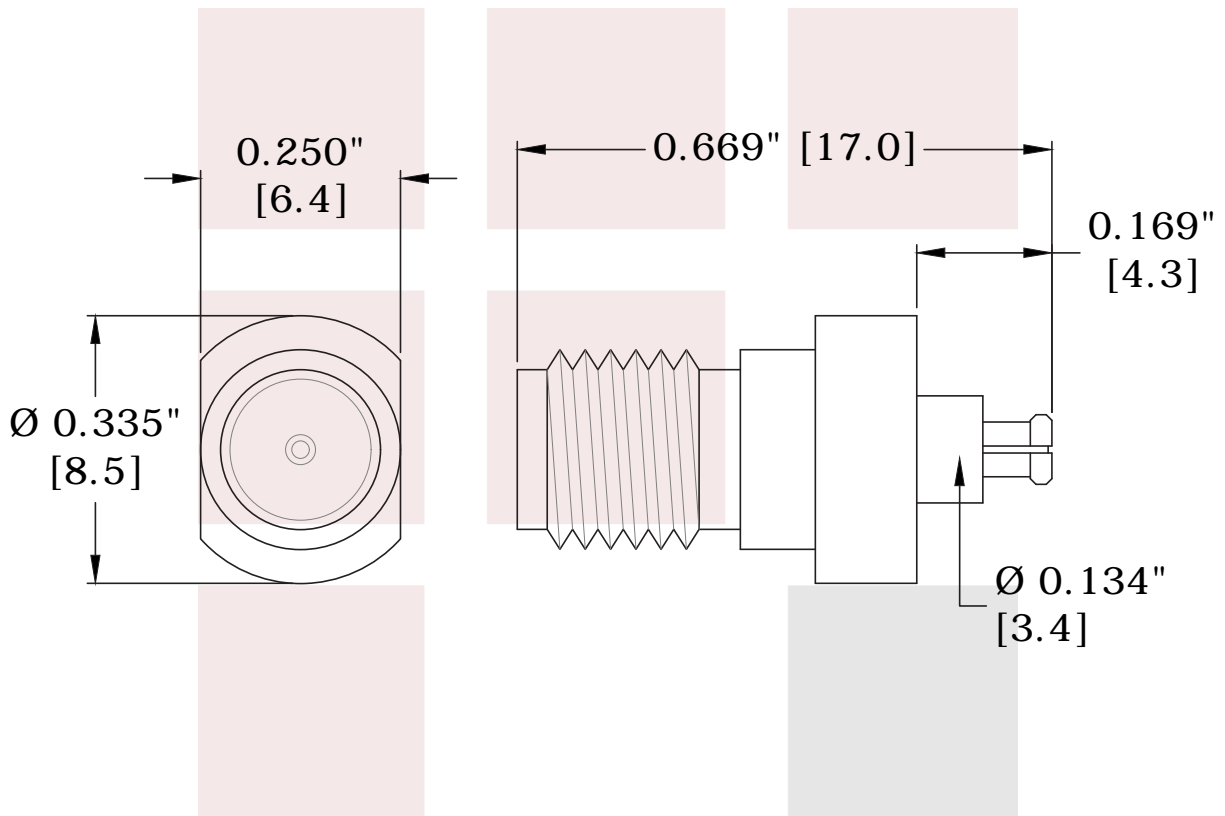
SMA Female to MC-Card Plug Adapter from Fairview Microwave is in-stock and available to ship same-day. All of our RF/microwave products are available off-the-shelf from our ISO 9001:2008 certified facilities in Allen, Texas. Fairview Microwave is RF on-demand.

For additional information on this product, please click the following link: [SMA Female to MC-Card Plug Adapter SM5211](#)

URL: <https://www.fairviewmicrowave.com/sma-female-mc-card-plug-adapter-sm5211-p.aspx>

The information contained in this document is accurate to the best of our knowledge and representative of the part described herein. It may be necessary to make modifications to the part and/or the documentation of the part, in order to implement improvements. Fairview Microwave reserves the right to make such changes as required. Unless otherwise stated, all specifications are nominal. Fairview Microwave does not make any representation or warranty regarding the suitability of the part described herein for any particular purpose, and Fairview Microwave does not assume any liability arising out of the use of any part or documentation.





FAIRVIEW MICROWAVE INC. ALLEN, TX 75013 WWW.FAIRVIEWMICROWAVE.COM		NOTES: 1. UNLESS OTHERWISE SPECIFIED ALL DIMENSIONS ARE NOMINAL. 2. ALL SPECIFICATIONS ARE SUBJECT TO CHANGE WITHOUT NOTICE AT ANY TIME. 3. DIMENSIONS ARE IN INCHES [mm].			
TITLE SMA Female to MC-Card Plug Adapter		DWG NO SM5211		CAGE CODE 3FKR5	
CAD FILE	020216	SHEET	SCALE	N/A	SIZE A 5568