

ADAPTER N M/F LOW PIM 6GHZ PIM 155DBC

SM4077

SPECIFICATIONS

ELECTRICAL

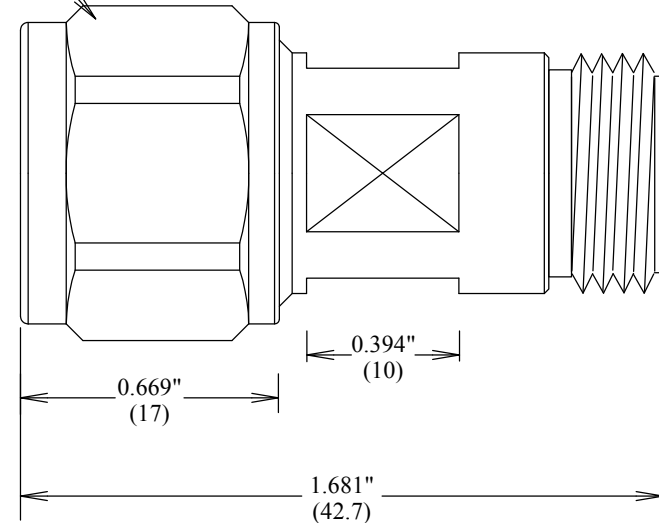
FREQUENCY: 0-6 GHZ
 IMPEDANCE: 50 OHMS
 VSWR: 1.20:1 MAX @ 6 GHZ
 PIMD 3RD : -155 dBc USING 2CW TONES @ 20W/TONE(800MHz)

MECHANICAL

MATERIALS BODY: TRIMETAL PLATED BRASS
 CONNECTOR CONTACTS: SI PLATED BeCu
 COUPLING NUT: TRIMETAL PLATED BRASS
 SNAP RING: PASS. STAINLESS STEEL
 INSULATOR: PFTE
 DURABILITY: 500 CYCLES MIN
 OPERATING TEMP: -55° TO +120° C

ROHS COMPLIANT

HEX. 0.787"
(20)



FAIRVIEW MICROWAVE INC.

ALLEN, TX 75013 WWW.FAIRVIEWMICROWAVE.COM

TITLE

**ADAPTER N M/F LOW PIM 6GHZ
PIM 155DBC**

SIZE	CAGE CODE	DWG NO	REV
A	3FKR5	SM4077	--
SCALE		SHEET	

ALL DIMENSIONS IN inches(mm) Typical