

## 1.85mm Female to 1.0mm Male Adapter

1.85mm female to 1.0mm male adapter part number SM3978 from Fairview Microwave is in-stock and ships same day. This Fairview 1.85mm to 1.0mm adapter has a female to male gender configuration. SM3978 1.85mm female to 1.0mm male adapter operates to 65 GHz. The Fairview Microwave RF adapter provides good VSWR of 1.35:1 maximum. The 1.85mm connector mates mechanically with commercially available 2.4mm connectors.

RF adapters can be used to enable connections between two connector types that would otherwise not mate. Certain RF adapter configurations can also be used to protect connectors on expensive equipment where the number of connect and disconnect cycles is high. An RF, microwave, or millimeter wave adapter is connected to the equipment and the commonly changed connection is made with the adapter which can be easily replaced when it wears out after high usage; such adapters are referred to as connector savers. Fairview Microwave also offers bulkhead, panel mount, hermetically sealed, reverse polarity, and isolated ground adapter varieties to serve all of your RF, microwave and millimeter wave needs.

### Electrical Specifications

Description	Min	Typ	Max	Units
Frequency Range	DC		65	GHz
VSWR			1.35:1	

Electrical Specification Notes:  
 Values at 25°C, sea level.

### Mechanical Specifications

Size	
Length	0.73 in [18.54 mm]
Width	0.31 in [7.87 mm]
Weight	0.0344 lbs [15.6 g]

Description	Connector 1	Connector 2
Type	1.85mm Female	1.0mm Male
Polarity	Standard	Standard
Hex Size		15/64 inch



### Configuration:

- 1.85mm Female Connector 1
- 1.0mm Male Connector 2
- 50 Ohm
- Straight Body Geometry

### Features:

- VSWR of 1.35:1 max up to 65 GHz
- 50 µin minimum contact plating
- Gold over Nickel Plated Beryllium Copper Contact

### Applications:

- Enables Between Series Connections
- General Purpose Test

Fairview Microwave  
 301 Leora Ln., Suite 100  
 Lewisville, TX 75056  
 Tel: 1-800-715-4396 / (972) 649-6678  
 Fax: (972) 649-6689  
[www.fairviewmicrowave.com](http://www.fairviewmicrowave.com)  
[sales@fairviewmicrowave.com](mailto:sales@fairviewmicrowave.com)

**Material Specifications**

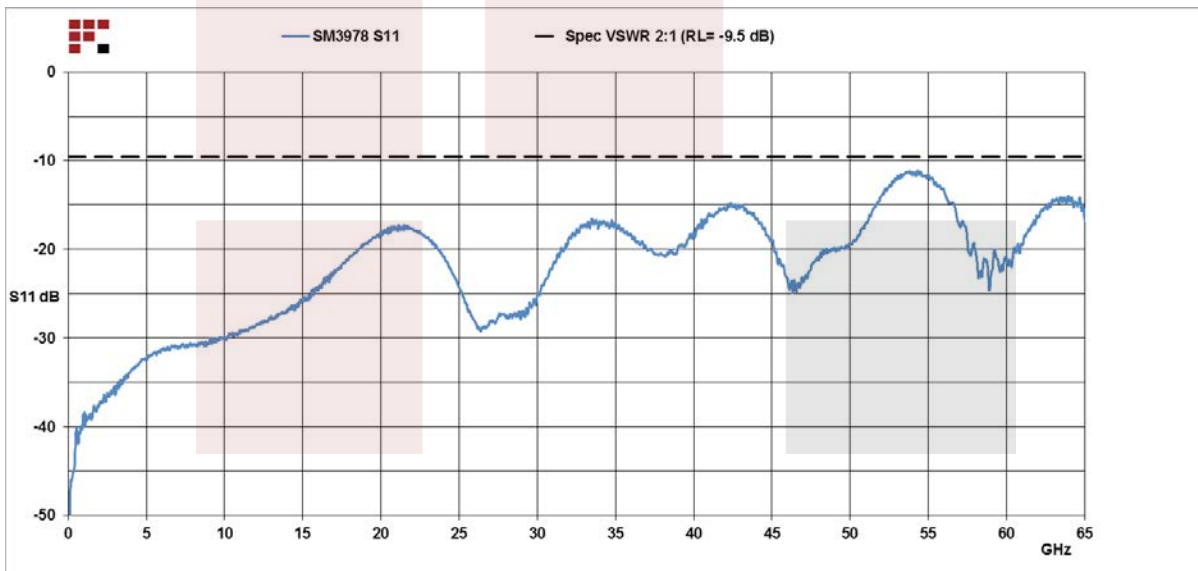
Description	Connector 1	Connector 2
Type	1.85mm Female	1.0mm Male
Contact Material	Beryllium Copper	Beryllium Copper
Contact Plating	Gold over Nickel	Gold over Nickel
Contact Plating Spec.	50 µin minimum	50 µin minimum
Insulation Material	PEI	PEI
Outer Contact Material	Passivated Stainless Steel	
Outer Contact Plating Spec.	SAE-AMS-2700	
Body Material		Passivated Stainless Steel
Body Plating Spec.		SAE-AMS-2700
Coupling Nut Material		Passivated Stainless Steel
Coupling Nut Plating Spec.		SAE-AMS-2700

**Compliance Certifications** (see [product page](#) for current document)

**Plotted and Other Data**

Notes:

**Typical Performance Data**



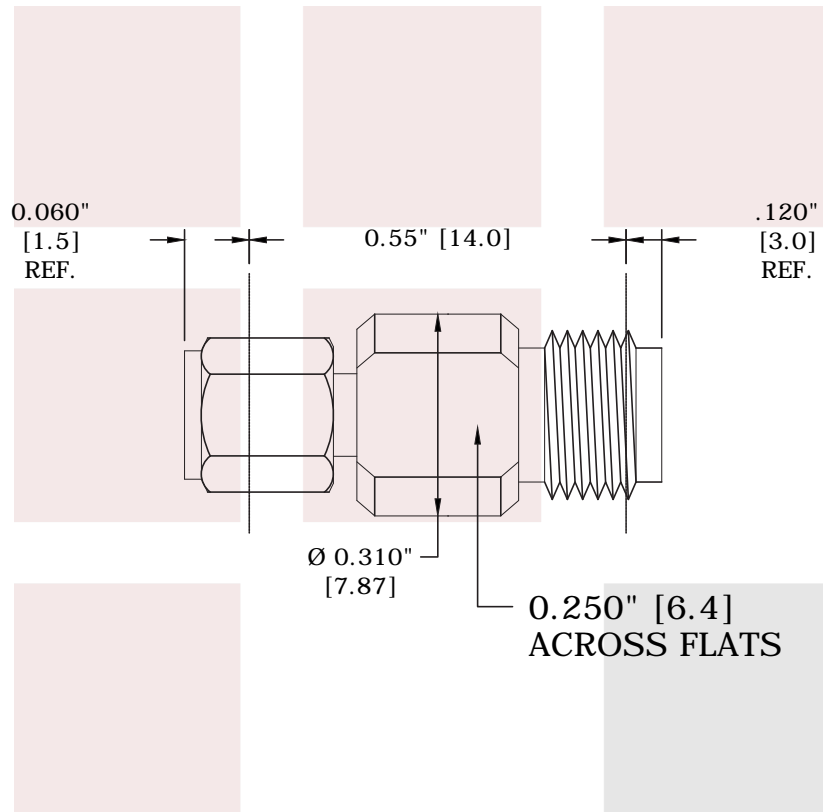
1.85mm Female to 1.0mm Male Adapter from Fairview Microwave is in-stock and available to ship same-day. All of our RF/microwave products are available off-the-shelf from our ISO 9001:2008 certified facilities in Allen, Texas. Fairview Microwave is RF on-demand.

For additional information on this product, please click the following link: [1.85mm Female to 1.0mm Male Adapter SM3978](#)

URL: <https://www.fairviewmicrowave.com/1.85mm-female-1.0mm-male-adapter-sm3978-p.aspx>

The information contained in this document is accurate to the best of our knowledge and representative of the part described herein. It may be necessary to make modifications to the part and/or the documentation of the part, in order to implement improvements. Fairview Microwave reserves the right to make such changes as required. Unless otherwise stated, all specifications are nominal. Fairview Microwave does not make any representation or warranty regarding the suitability of the part described herein for any particular purpose, and Fairview Microwave does not assume any liability arising out of the use of any part or documentation.





**FAIRVIEW MICROWAVE INC.**

ALLEN, TX 75013 WWW.FAIRVIEWMICROWAVE.COM

NOTES:  
 1. UNLESS OTHERWISE SPECIFIED ALL DIMENSIONS ARE NOMINAL.  
 2. ALL SPECIFICATIONS ARE SUBJECT TO CHANGE WITHOUT NOTICE AT ANY TIME.  
 3. DIMENSIONS ARE IN INCHES [mm].

TITLE 1.85mm Female to 1.0mm Male Adapter	DWG NO <b>SM3978</b>		CAGE CODE <b>3FKR5</b>		
	CAD FILE 011415	SHEET	SCALE N/A	SIZE A	5568