

SMA Female to ZMA Plug Adapter

SMA female to ZMA plug adapter part number SM5515 from Fairview Microwave is in-stock and ships same day. This Fairview SMA to ZMA adapter has a female to plug gender configuration. SM5515 SMA female to ZMA plug adapter operates to 18 GHz. The SMA connector mates mechanically with commercially available 3.5mm and 2.92mm (K) connectors. The Fairview Microwave RF adapter provides good VSWR of 1.35:1 maximum.

RF adapters can be used to enable connections between two connector types that would otherwise not mate. Certain RF adapter configurations can also be used to protect connectors on expensive equipment where the number of connect and disconnect cycles is high. An RF, microwave, or millimeter wave adapter is connected to the equipment and the commonly changed connection is made with the adapter which can be easily replaced when it wears out after high usage; such adapters are referred to as connector savers. Fairview Microwave also offers bulkhead, panel mount, hermetically sealed, reverse polarity, and isolated ground adapter varieties to serve all of your RF, microwave and millimeter wave needs.

Electrical Specifications

Description	Min	Typ	Max	Units
Frequency Range	DC		18	GHz
VSWR			1.35:1	

Electrical Specification Notes:
 Values at 25°C, sea level.

Mechanical Specifications

Size	
Length	0.983 in [24.97 mm]
Weight	0.024 lbs [10.89 g]

Description	Connector 1	Connector 2
Type	SMA Female	ZMA Plug
Polarity	Standard	Standard
Mating Cycles	500	500



Configuration:

- SMA Female Connector 1
- ZMA Plug Connector 2
- 50 Ohms
- Straight Body Geometry

Features:

- VSWR of 1.35:1 max up to 18 GHz
- Contact plating according to MIL-G-45204
- Gold over Nickel Plated Beryllium Copper Contact

Applications:

- Enables Between Series Connections
- General Purpose Test

Fairview Microwave
 1130 Junction Dr. #100
 Allen, TX 75013
 Tel: 1-800-715-4396 / (972) 649-6678
 Fax: (972) 649-6689
www.fairviewmicrowave.com
sales@fairviewmicrowave.com

Material Specifications

Description	Connector 1	Connector 2
Type	SMA Female	ZMA Plug
Contact Material	Beryllium Copper	Beryllium Copper
Contact Plating	Gold over Nickel	Gold over Nickel
Contact Plating Spec.	MIL-G-45204	MIL-G-45204
Insulation Material	PTFE	PTFE
Outer Contact Material	Passivated Stainless Steel	
Outer Contact Plating Spec.	ASTM A380	
Body Material		Passivated Stainless Steel
Body Plating Spec.		ASTM A380
Coupling Nut Material		Passivated Stainless Steel
Coupling Nut Plating Spec.		ASTM A380

Environmental Specifications

Temperature

Operating Range

-55 to +100 deg C

Vibration

MIL-STD 202, Method 204, Condition D (20 G's)

Salt Spray

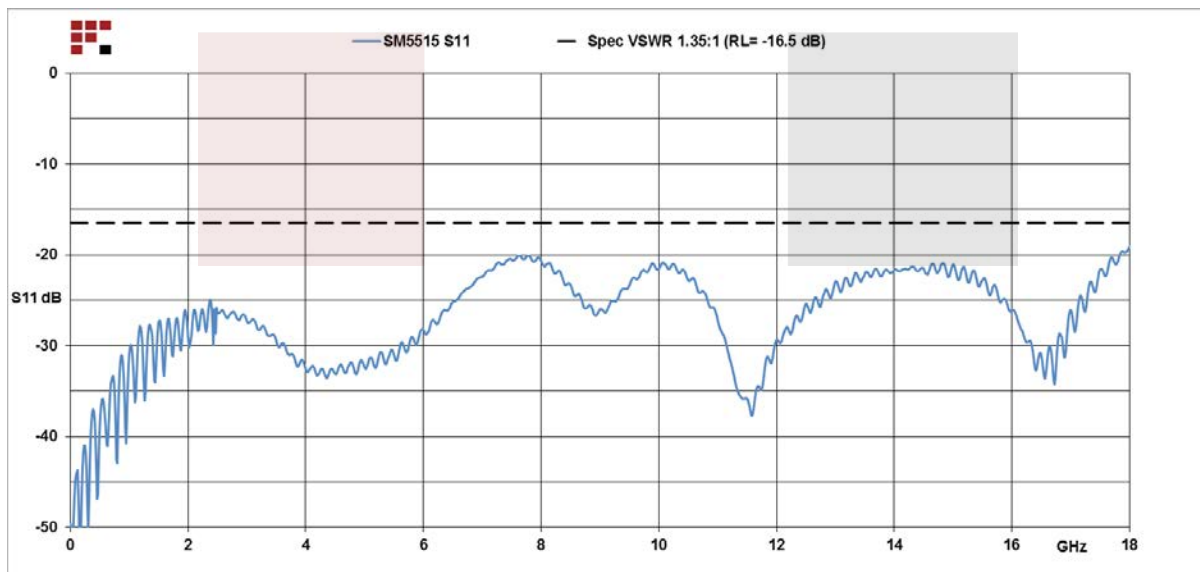
MIL-STD 202, Method 101, Condition B, 5% salt solution

Compliance Certifications (see [product page](#) for current document)

Plotted and Other Data

Notes:

Typical Performance Data

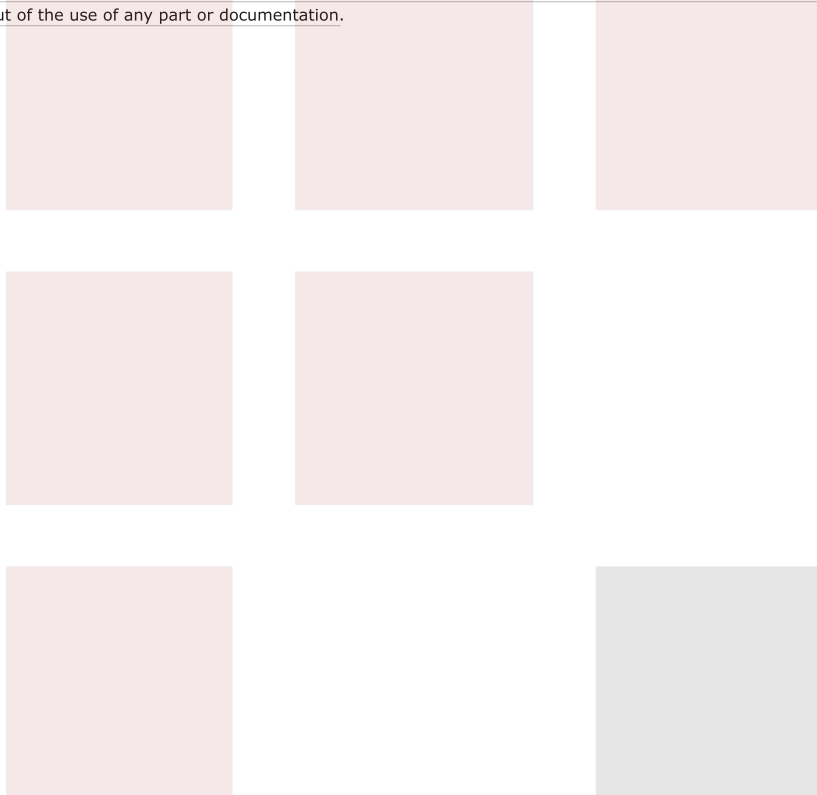


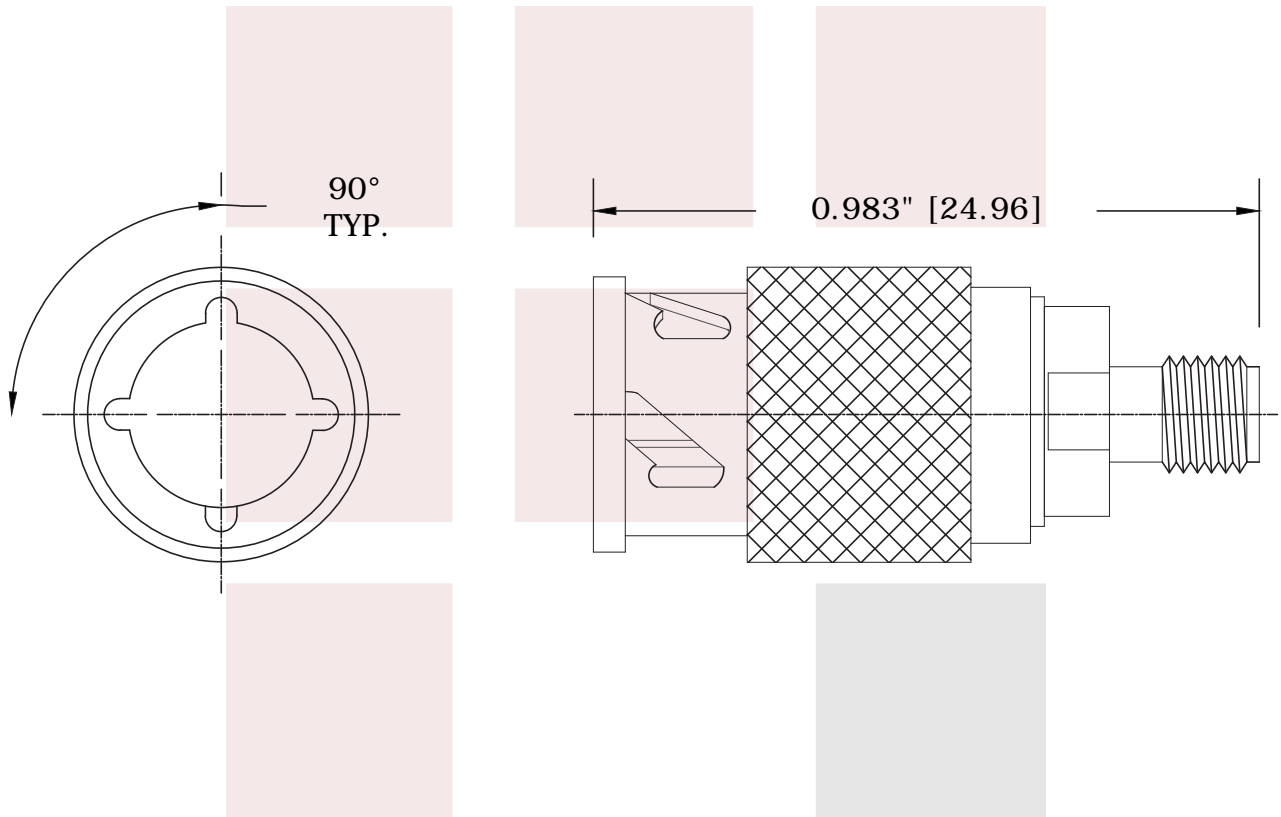
SMA Female to ZMA Plug Adapter from Fairview Microwave is in-stock and available to ship same-day. All of our RF/microwave products are available off-the-shelf from our ISO 9001:2008 certified facilities in Allen, Texas. Fairview Microwave is RF on-demand.

For additional information on this product, please click the following link: [SMA Female to ZMA Plug Adapter SM5515](#)

URL: <https://www.fairviewmicrowave.com/sma-female-zma-plug-adapter-sm5515-p.aspx>

The information contained in this document is accurate to the best of our knowledge and representative of the part described herein. It may be necessary to make modifications to the part and/or the documentation of the part, in order to implement improvements. Fairview Microwave reserves the right to make such changes as required. Unless otherwise stated, all specifications are nominal. Fairview Microwave does not make any representation or warranty regarding the suitability of the part described herein for any particular purpose, and Fairview Microwave does not assume any liability arising out of the use of any part or documentation.





FAIRVIEW MICROWAVE INC.

ALLEN, TX 75013 WWW.FAIRVIEWMICROWAVE.COM

NOTES:

1. UNLESS OTHERWISE SPECIFIED ALL DIMENSIONS ARE NOMINAL.
2. ALL SPECIFICATIONS ARE SUBJECT TO CHANGE WITHOUT NOTICE AT ANY TIME.
3. DIMENSIONS ARE IN INCHES [mm].

TITLE

SMA Female to ZMA Plug Adapter

DWG NO

SM5515

CAGE CODE

3FKR5

CAD FILE

011415

SHEET

SCALE N/A

SIZE A

5568