

Precision Radius RA N Male to N Female Adapter with Passivated Stainless Steel Body

Precision Radius RA type N male to type N female adapter part number FMAD1057 from Fairview Microwave is in-stock and ships same day. This Fairview type N to type N adapter has a male to female gender configuration and is built of durable stainless steel in a precision design. FMAD1057 type N male to type N female adapter operates to 18 GHz. The Fairview Microwave RF adapter provides excellent VSWR of 1.25:1 maximum. This radius right angle type N adapter allows for easier connections in tight spaces.

RF adapters can be used to enable connections between two connector types that would otherwise not mate. Certain RF adapter configurations can also be used to protect connectors on expensive equipment where the number of connect and disconnect cycles is high. An RF, microwave, or millimeter wave adapter is connected to the equipment and the commonly changed connection is made with the adapter which can be easily replaced when it wears out after high usage; such adapters are referred to as connector savers. Fairview Microwave also offers bulkhead, panel mount, hermetically sealed, reverse polarity, and isolated ground adapter varieties to serve all of your RF, microwave and millimeter wave needs.

Electrical Specifications

Description	Min	Typ	Max	Units
Frequency Range	DC		18	GHz
VSWR			1.25:1	
Insertion Loss			0.4	dB
Operating Voltage (AC)			500	Vrms
DWV (AC)			2,500	Vrms
Inner Conductor DC Resistance			2.5	mOhms
Outer Conductor DC Resistance			0.2	mOhms
Insulation Resistance	5,000			MOhms

Electrical Specification Notes:
 RF Leakage: -90dB min. from 2 - 3 GHz

Mechanical Specifications

Size	
Length	1.49 in [37.85 mm]
Width	0.8 in [20.32 mm]
Height	1.42 in [36.07 mm]
Weight	0.123 lbs [55.79 g]

Description	Connector 1	Connector 2
Type	N Male	N Female
Polarity	Standard	Standard
Interface Specification	MIL-STD-348	MIL-STD-348
Mating Cycles	500	500
Mating Torque	15 in-lbs min [1.70 Nm] min	



Configuration:

- N Male Connector 1
- N Female Connector 2
- 50 Ohm
- Precision Design
- Radius Right Angle Body Geometry

Features:

- VSWR of 1.25:1 max up to 18 GHz
- Type N interface meets MIL-STD-348
- Contact plating according to ASTM B-488
- Gold Plated Beryllium Copper Contact

Applications:

- General Purpose Test
- Precision Test & Measurement

Fairview Microwave
 301 Leora Ln., Suite 100
 Lewisville, TX 75056
 Tel: 1-800-715-4396 / (972) 649-6678
 Fax: (972) 649-6689
www.fairviewmicrowave.com
sales@fairviewmicrowave.com

Material Specifications

Description	Connector 1	Connector 2
Type	N Male	N Female
Contact Material	Beryllium Copper	Beryllium Copper
Contact Plating	Gold	Gold
Contact Plating Spec.	ASTM B-488	ASTM B-488
Insulation Material	PTFE	PTFE
Outer Contact Material		Passivated Stainless Steel
Outer Conductor Contact Spec.		ASTM A-967
Body Material	Passivated Stainless Steel	Passivated Stainless Steel
Body Plating Spec.	ASTM A-967	ASTM A-967
Gasket Material	Silicone	Silicone
Coupling Nut Material	Passivated Stainless Steel	
Coupling Nut Plating Spec.	ASTM A-967	

Environmental Specifications

Temperature

Operating Range

-65 to +165 deg C

Shock

MIL-STD-202, Method 213, Test Cond. I

Vibration

MIL-STD-202, Method 204, Test Cond. B.

Salt Spray

MIL-STD-202, Method 101, Test Condition B

Compliance Certifications (see [product page](#) for current document)

Plotted and Other Data

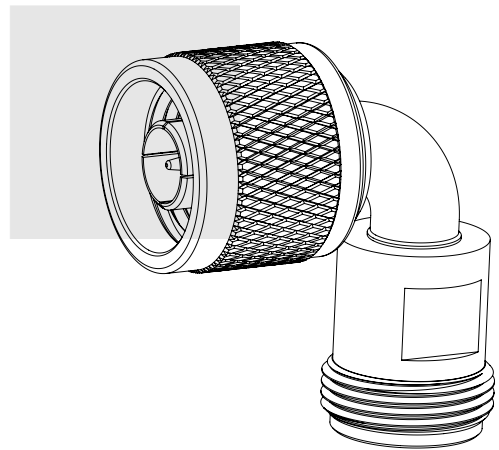
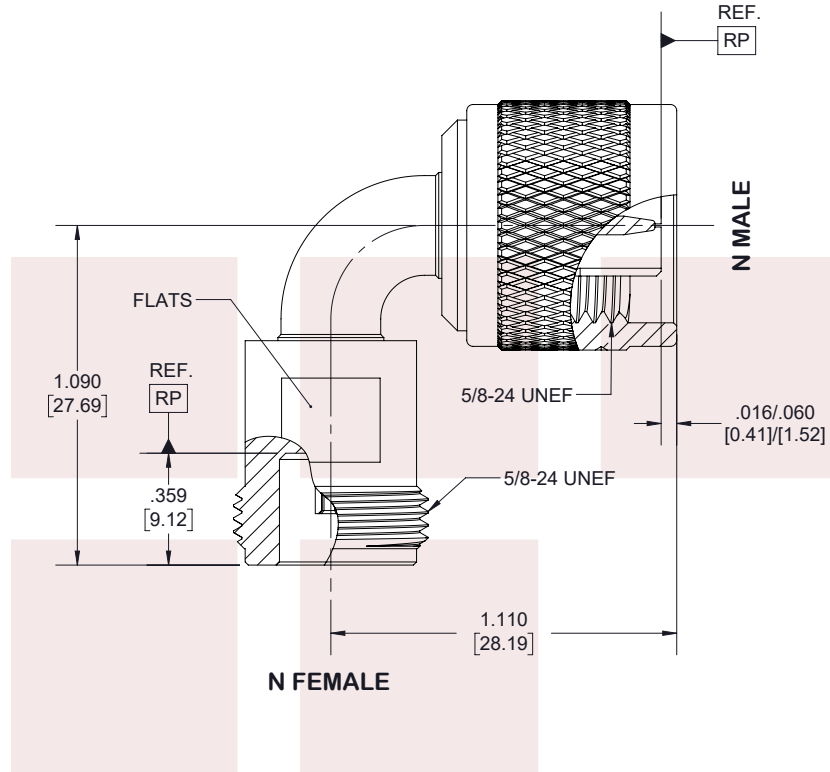
Notes:

Precision Radius RA N Male to N Female Adapter with Passivated Stainless Steel Body from Fairview Microwave is in-stock and available to ship same-day. All of our RF/microwave products are available off-the-shelf from our ISO 9001:2008 certified facilities in Allen, Texas. Fairview Microwave is RF on-demand.

For additional information on this product, please click the following link: [Precision Radius RA N Male to N Female Adapter with Passivated Stainless Steel Body FMAD1057](#)

URL: <https://www.fairviewmicrowave.com/precision-radius-ra-n-male-n-female-adapter-fmad1057-p.aspx>

The information contained in this document is accurate to the best of our knowledge and representative of the part described herein. It may be necessary to make modifications to the part and/or the documentation of the part, in order to implement improvements. Fairview Microwave reserves the right to make such changes as required. Unless otherwise stated, all specifications are nominal. Fairview Microwave does not make any representation or warranty regarding the suitability of the part described herein for any particular purpose, and Fairview Microwave does not assume any liability arising out of the use of any part or documentation.



STANDARD TOLERANCES	
.X	±0.2
.XX	±0.01
.XXX	±0.005

*STANDARD TOLERANCES APPLY ONLY TO DIMENSIONS IN INCHES

FAIRVIEW MICROWAVE INC. ALLEN, TX 75013 WWW.FAIRVIEWMICROWAVE.COM		NOTES: 1. UNLESS OTHERWISE SPECIFIED ALL DIMENSIONS ARE NOMINAL. 2. ALL SPECIFICATIONS ARE SUBJECT TO CHANGE WITHOUT NOTICE AT ANY TIME. 3. DIMENSIONS ARE IN INCHES [mm].			
TITLE Precision Radius RA N Male to N Female Adapter with Passivated Stainless Steel Body		DWG NO FMAD1057		CAGE CODE 3FKR5	
CAD FILE	010218	SHEET	1 OF 1	SCALE	N/A
		SIZE	A		7361