

2 Hole Flange RP SMA Female to RP SMA Female Adapter

Electrical Specifications

Frequency Range	DC to 18 GHz
Maximum VSWR	1.35:1
Dielectric Withstanding Voltage	1,500 Vrms

Mechanical Specifications

Size	
Length	0.875 in [22.23 mm]
Width	0.625 in [15.88 mm]

Connector 1

Type	SMA Female Reverse Polarity
Inner Conductor Material and Plating	Brass, Gold
Inner Conductor Plating Specification	MIL-G-45204
Body Material and Plating	Passivated Stainless Steel
Body Plating Specification	QQ-P-35
Dielectric Type	PTFE

Connector 2

Type	SMA Female Reverse Polarity
Inner Conductor Material and Plating	Brass, Gold
Inner Conductor Plating Specification	MIL-G-45204
Body Material and Plating	Passivated Stainless Steel
Body Plating Specification	QQ-P-35
Dielectric Type	PTFE

Environmental Specifications

Temperature	
Operating Range	-65 to +165 deg C

Compliance Certifications (visit www.FairviewMicrowave.com for current document)

RoHS Compliant	Yes
REACH Compliant	06/16/2014

Plotted and Other Data

- Notes:
- Values at 25 °C, sea level

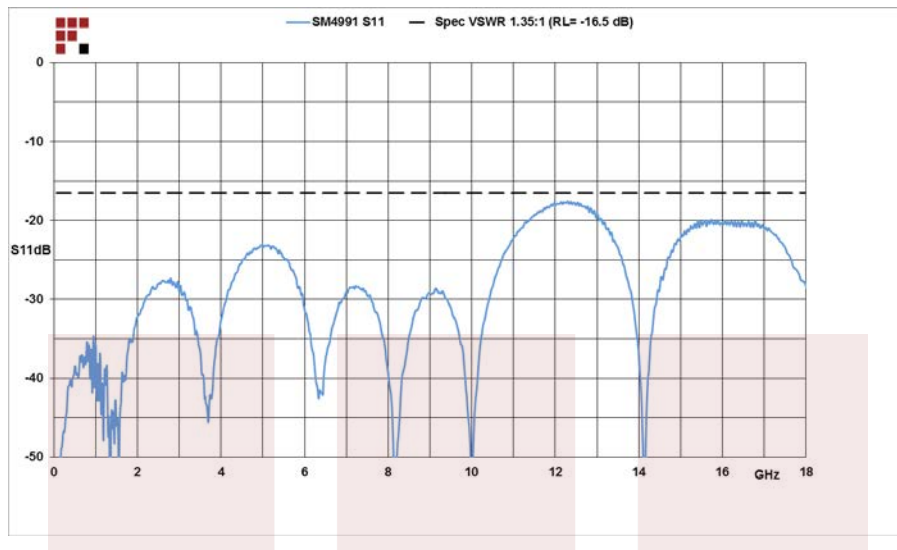


Features:

- Connector 1: SMA Female Reverse Polarity
- Impedance 1: 50 Ohms
- Connector 2: SMA Female Reverse Polarity
- Impedance 2: 50 Ohms
- Adapter Design: Standard
- Body Style: Straight
- Mount Method: 2 Hole Flange

Fairview Microwave
 1130 Junction Dr. #100
 Allen, TX 75013
 Tel: 1-800-715-4396 / (972) 649-6678
 Fax: (972) 649-6689
www.fairviewmicrowave.com
sales@fairviewmicrowave.com

Typical Performance Data

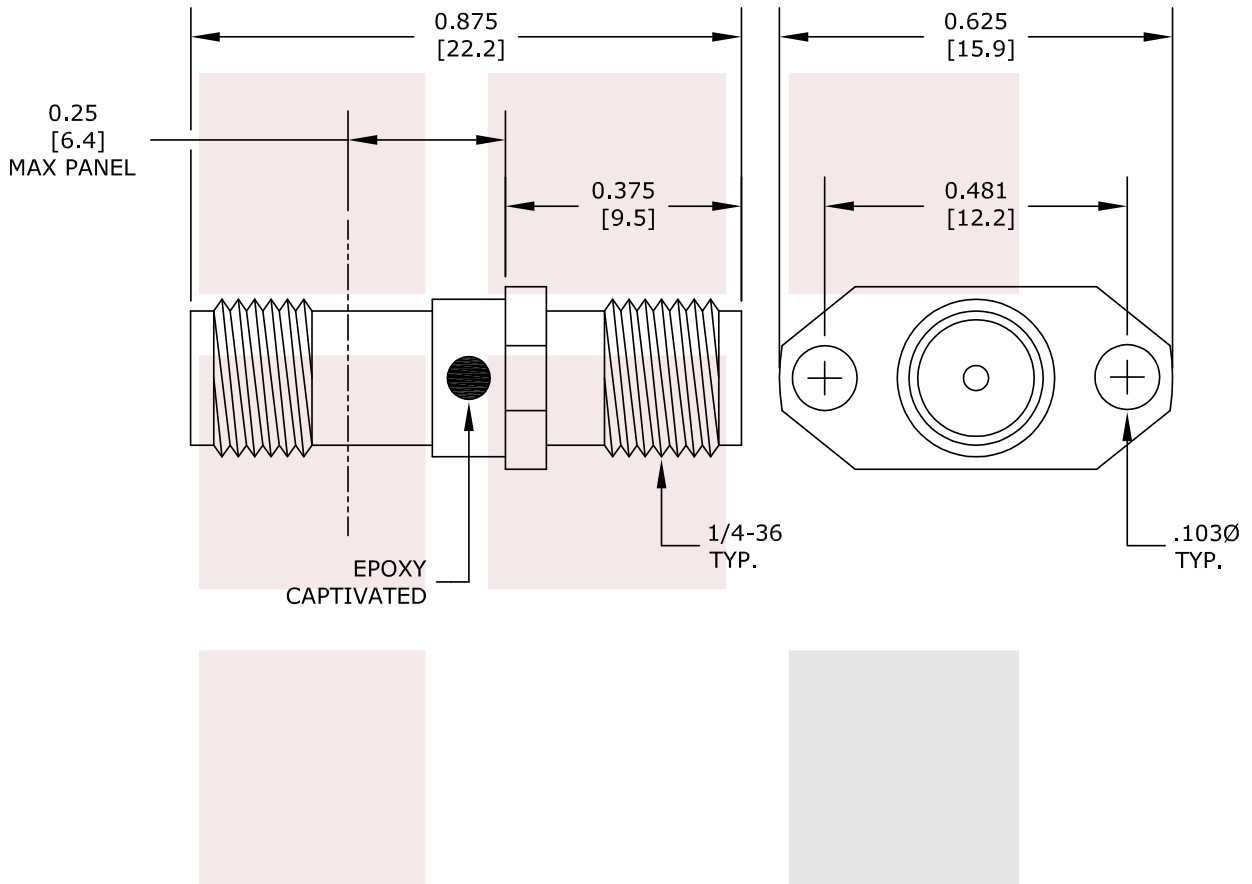


2 Hole Flange RP SMA Female to RP SMA Female Adapter from Fairview Microwave is in-stock and available to ship same-day. All of our RF/microwave products are available off-the-shelf from our ISO 9001:2008 certified facilities in Allen, Texas. Fairview Microwave is RF on-demand.

For additional information on this product, please click the following link: [2 Hole Flange RP SMA Female to RP SMA Female Adapter SM4991](#)

URL: <http://www.fairviewmicrowave.com/2-hole-flange-rp-sma-female-rp-sma-female-adapter-sm4991-p.aspx>

The information contained in this document is accurate to the best of our knowledge and representative of the part described herein. It may be necessary to make modifications to the part and/or the documentation of the part, in order to implement improvements. Fairview Microwave reserves the right to make such changes as required. Unless otherwise stated, all specifications are nominal. Fairview Microwave does not make any representation or warranty regarding the suitability of the part described herein for any particular purpose, and Fairview Microwave does not assume any liability arising out of the use of any part or documentation.



FAIRVIEW MICROWAVE INC. ALLEN, TX 75013 WWW.FAIRVIEWMICROWAVE.COM		NOTES: 1. UNLESS OTHERWISE SPECIFIED ALL DIMENSIONS ARE NOMINAL. 2. ALL SPECIFICATIONS ARE SUBJECT TO CHANGE WITHOUT NOTICE AT ANY TIME. 3. DIMENSIONS ARE IN INCHES [mm].			
TITLE 2 Hole Flange RP SMA Female to RP SMA Female Adapter		DWG NO SM4991		CAGE CODE 3FKR5	
		CAD FILE 112514	SHEET	SCALE N/A	SIZE A 150