

## Full Detent SMP Male to SMP Male Smooth Bore CM Adapter

Full detent SMP male to SMP male smooth bore CM adapter part number SM8794 from Fairview Microwave is in-stock and ships same day. This Fairview SMP to SMP adapter has a male to male gender configuration and is built of durable stainless steel. SM8794 SMP male to SMP male adapter operates to 40 GHz. The Fairview Microwave RF adapter provides good VSWR of 1.3:1 maximum.

RF adapters can be used to enable connections between two connector types that would otherwise not mate. Certain RF adapter configurations can also be used to protect connectors on expensive equipment where the number of connect and disconnect cycles is high. An RF, microwave, or millimeter wave adapter is connected to the equipment and the commonly changed connection is made with the adapter which can be easily replaced when it wears out after high usage; such adapters are referred to as connector savers. Fairview Microwave also offers bulkhead, panel mount, hermetically sealed, reverse polarity, and isolated ground adapter varieties to serve all of your RF, microwave and millimeter wave needs.

### Electrical Specifications

Description	Min	Typ	Max	Units
Frequency Range	DC		40	GHz
VSWR			1.3:1	

Electrical Specification Notes:  
 Values at 25°C, sea level.

### Mechanical Specifications

Size	
Length	0.3 in [7.62 mm]
Width	0.25 in [6.35 mm]
Weight	0.003 lbs [1.36 g]

Description	Connector 1	Connector 2
Type	SMP Male	SMP Male
Connection Method	Full Detent	Smooth Bore CM
Polarity	Standard	Standard
Interface Specification	MIL-STD-348	MIL-STD-348

### Material Specifications

Description	Connector 1	Connector 2
Type	SMP Male	SMP Male
Contact Material	Beryllium Copper	Beryllium Copper
Contact Plating	Gold	Gold
Contact Plating Spec.	MIL-G-45204	MIL-G-45204
Insulation Material	PTFE	PTFE
Body Material	Passivated Stainless Steel	Passivated Stainless Steel
Body Plating Spec.	AMS-QQ-P-35	AMS-QQ-P-35



### Configuration:

- Full Detent SMP Male Connector 1
- Smooth Bore CM SMP Male Connector 2
- 50 Ohm
- Straight Body Geometry

### Features:

- VSWR of 1.3:1 max up to 40 GHz
- SMP interface meets MIL-STD-348
- Contact plating according to MIL-G-45204
- Gold Plated Contact

### Applications:

- General Purpose Test

Fairview Microwave  
 1130 Junction Dr. #100  
 Allen, TX 75013  
 Tel: 1-800-715-4396 / (972) 649-6678  
 Fax: (972) 649-6689  
[www.fairviewmicrowave.com](http://www.fairviewmicrowave.com)  
[sales@fairviewmicrowave.com](mailto:sales@fairviewmicrowave.com)

**Environmental Specifications**

**Temperature**

Operating Range -65 to +165 deg C

**Compliance Certifications** (see [product page](#) for current document)

**Plotted and Other Data**

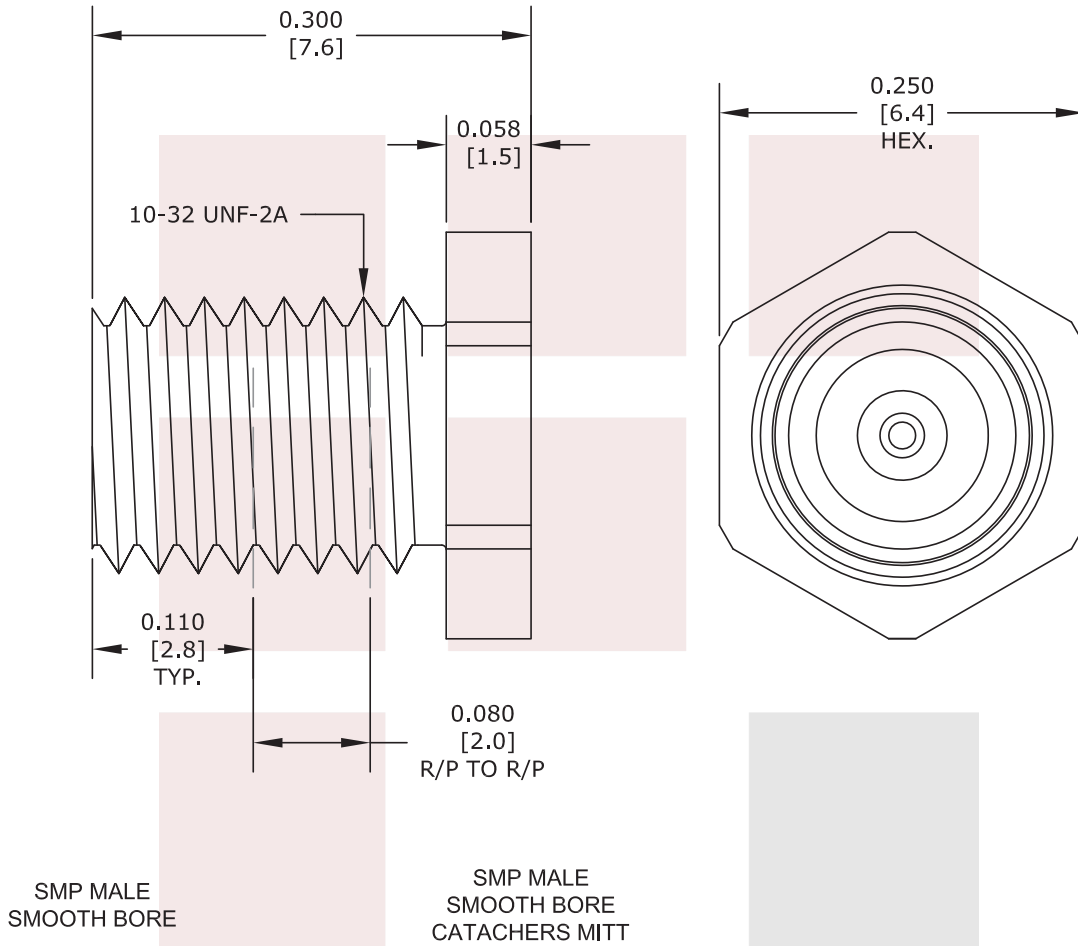
Notes:

Full Detent SMP Male to SMP Male Smooth Bore CM Adapter from Fairview Microwave is in-stock and available to ship same-day. All of our RF/microwave products are available off-the-shelf from our ISO 9001:2008 certified facilities in Allen, Texas. Fairview Microwave is RF on-demand.

For additional information on this product, please click the following link: [Full Detent SMP Male to SMP Male Smooth Bore CM Adapter SM8794](#)

URL: <https://www.fairviewmicrowave.com/smp-male-smp-male-smooth-bore-adapter-sm8794-p.aspx>

The information contained in this document is accurate to the best of our knowledge and representative of the part described herein. It may be necessary to make modifications to the part and/or the documentation of the part, in order to implement improvements. Fairview Microwave reserves the right to make such changes as required. Unless otherwise stated, all specifications are nominal. Fairview Microwave does not make any representation or warranty regarding the suitability of the part described herein for any particular purpose, and Fairview Microwave does not assume any liability arising out of the use of any part or documentation.



STANDARD TOLERANCES	
.X	±0.2
.XX	±0.1
.XXX	±0.05

\*STANDARD TOLERANCES APPLY ONLY TO DIMENSIONS IN INCHES

<b>FAIRVIEW MICROWAVE INC.</b> ALLEN, TX 75013 WWW.FAIRVIEWMICROWAVE.COM		NOTES: 1. UNLESS OTHERWISE SPECIFIED ALL DIMENSIONS ARE NOMINAL. 2. ALL SPECIFICATIONS ARE SUBJECT TO CHANGE WITHOUT NOTICE AT ANY TIME. 3. DIMENSIONS ARE IN INCHES [mm].			
TITLE Full Detent SMP Male to SMP Male Smooth Bore CM Adapter		DWG NO SM8794		CAGE CODE 3FKR5	
CAD FILE	090816	SHEET	SCALE	N/A	SIZE A 41742