

## HN Female to N Female 4 Hole Flange Adapter

HN female to type N female 4 hole flange adapter part number SM4633 from Fairview Microwave is in-stock and ships same day. This Fairview HN to type N adapter has a female to female gender configuration. SM4633 HN female to type N female adapter operates to 4 GHz. The Fairview Microwave RF adapter provides good VSWR of 1.35:1 maximum. Our RF HN to type N 4 hole flange adapter allows designers to create external connections on their product enclosures, and can be used in a variety of other rack mount and panel mount applications.

RF adapters can be used to enable connections between two connector types that would otherwise not mate. Certain RF adapter configurations can also be used to protect connectors on expensive equipment where the number of connect and disconnect cycles is high. An RF, microwave, or millimeter wave adapter is connected to the equipment and the commonly changed connection is made with the adapter which can be easily replaced when it wears out after high usage; such adapters are referred to as connector savers. Fairview Microwave also offers bulkhead, panel mount, hermetically sealed, reverse polarity, and isolated ground adapter varieties to serve all of your RF, microwave and millimeter wave needs.

### Electrical Specifications

Description	Min	Typ	Max	Units
Frequency Range	DC		4	GHz
VSWR			1.35:1	

### Mechanical Specifications

Size	
Length	1.83 in [46.48 mm]
Width	1.187 in [30.15 mm]
Height	1.187 in [30.15 mm]
Weight	0.12214 lbs [55.4 g]

Description	Connector 1	Connector 2
Type	HN Female	N Female
Polarity	Standard	Standard

### Material Specifications

Description	Connector 1	Connector 2
Type	HN Female	N Female
Contact Material	Beryllium Copper	Beryllium Copper
Contact Plating	Silver	Silver
Contact Plating Spec.	QQ-S-365	QQ-S-365
Insulation Material		PTFE
Outer Contact Material	Brass	Brass
Outer Contact Plating	Nickel	Nickel
Outer Contact Plating Spec.	QQ-N-290	QQ-N-290
Body Material	Brass	Brass
Body Plating	Nickel	Nickel
Body Plating Spec.	QQ-N-290	QQ-N-290



### Configuration:

- HN Female Connector 1
- N Female Connector 2
- 50 Ohm
- Straight Body Geometry
- 4 Hole Flange Mount Method

### Features:

- VSWR of 1.35:1 max up to 4 GHz
- Contact plating according to QQ-S-365
- Silver Plated Beryllium Copper Contact

### Applications:

- Enables Between Series Connections
- General Purpose Test
- Rack Mounted Equipment

Fairview Microwave  
 301 Leora Ln., Suite 100  
 Lewisville, TX 75056  
 Tel: 1-800-715-4396 / (972) 649-6678  
 Fax: (972) 649-6689  
[www.fairviewmicrowave.com](http://www.fairviewmicrowave.com)  
[sales@fairviewmicrowave.com](mailto:sales@fairviewmicrowave.com)

**Compliance Certifications** (see [product page](#) for current document)

**Plotted and Other Data**

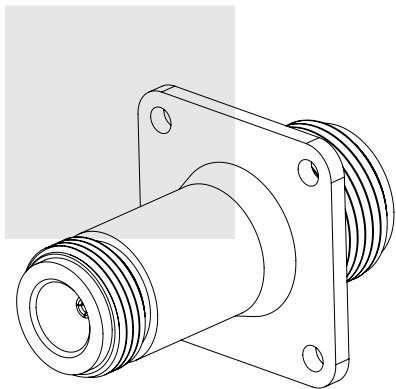
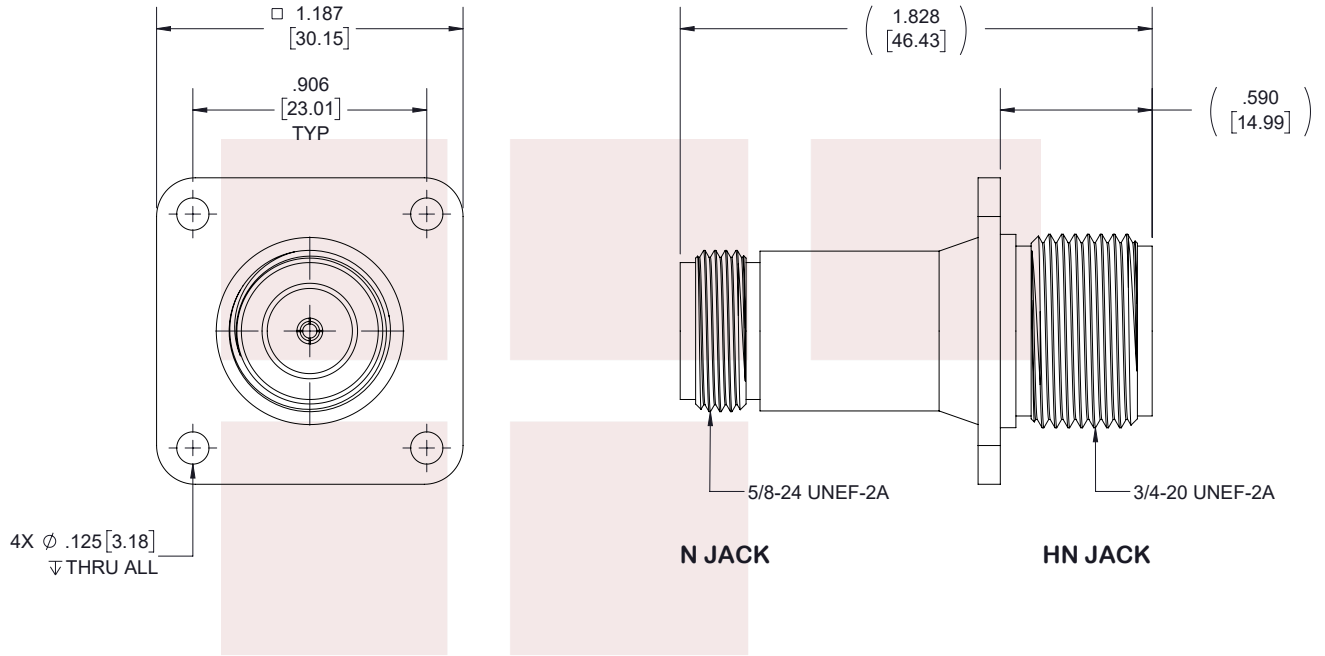
Notes:

HN Female to N Female 4 Hole Flange Adapter from Fairview Microwave is in-stock and available to ship same-day. All of our RF/microwave products are available off-the-shelf from our ISO 9001:2008 certified facilities in Allen, Texas. Fairview Microwave is RF on-demand.

For additional information on this product, please click the following link: [HN Female to N Female 4 Hole Flange Adapter SM4633](#)

URL: <https://www.fairviewmicrowave.com/hn-female-n-female-4-hole-flange-adapter-sm4633-p.aspx>

The information contained in this document is accurate to the best of our knowledge and representative of the part described herein. It may be necessary to make modifications to the part and/or the documentation of the part, in order to implement improvements. Fairview Microwave reserves the right to make such changes as required. Unless otherwise stated, all specifications are nominal. Fairview Microwave does not make any representation or warranty regarding the suitability of the part described herein for any particular purpose, and Fairview Microwave does not assume any liability arising out of the use of any part or documentation.



STANDARD TOLERANCES	
.X	±0.2
.XX	±0.01
.XXX	±0.005

\*STANDARD TOLERANCES APPLY ONLY TO DIMENSIONS IN INCHES

<b>FAIRVIEW MICROWAVE INC.</b> ALLEN, TX 75013 WWW.FAIRVIEWMICROWAVE.COM		NOTES: 1. UNLESS OTHERWISE SPECIFIED ALL DIMENSIONS ARE NOMINAL. 2. ALL SPECIFICATIONS ARE SUBJECT TO CHANGE WITHOUT NOTICE AT ANY TIME. 3. DIMENSIONS ARE IN INCHES [mm].			
TITLE HN Female to N Female 4 Hole Flange Adapter		DWG NO SM4633		CAGE CODE 3FKR5	
CAD FILE	120517	SHEET	1 OF 1	SCALE	N/A
		SIZE	A		7361