

Precision 2.92mm Female to 2.4mm Male Adapter

Precision 2.92mm female to 2.4mm male adapter part number SM3182 from Fairview Microwave is in-stock and ships same day. This Fairview 2.92mm to 2.4mm adapter has a female to male gender configuration in a precision design. SM3182 2.92mm female to 2.4mm male adapter operates to 40 GHz. The 2.92mm connector mates mechanically with commercially available SMA and 3.5mm connectors. The 2.4mm connector mates mechanically with commercially available 1.85mm (V) connectors. The Fairview Microwave RF adapter provides excellent VSWR of 1.15:1 maximum.

RF adapters can be used to enable connections between two connector types that would otherwise not mate. Certain RF adapter configurations can also be used to protect connectors on expensive equipment where the number of connect and disconnect cycles is high. An RF, microwave, or millimeter wave adapter is connected to the equipment and the commonly changed connection is made with the adapter which can be easily replaced when it wears out after high usage; such adapters are referred to as connector savers. Fairview Microwave also offers bulkhead, panel mount, hermetically sealed, reverse polarity, and isolated ground adapter varieties to serve all of your RF, microwave and millimeter wave needs.

Electrical Specifications

Description	Min	Typ	Max	Units
Frequency Range	DC		40	GHz
VSWR			1.15:1	

Electrical Specification Notes:
 Values at 25°C, sea level.

Mechanical Specifications

Size	
Length	0.778 in [19.76 mm]
Width	0.312 in [7.92 mm]
Weight	0.0105 lbs [4.76 g]

Description	Connector 1	Connector 2
Type	2.92mm Female	2.4mm Male
Polarity	Standard	Standard
Interface Specification	MIL-STD-348	MIL-STD-348
Mating Cycles	500	500
Hex Size		5/16 inch
Mating Torque		8 to 10 in-lbs [0.90 to 1.13 Nm]



Configuration:

- 2.92mm Female Connector 1
- 2.4mm Male Connector 2
- 50 Ohms
- Precision Design
- Straight Body Geometry

Features:

- VSWR of 1.15:1 max up to 40 GHz
- 2.92mm interface meets MIL-STD-348
- 2.4mm interface meets MIL-STD-348
- Contact plating according to MIL-G-45204
- Gold Plated Beryllium Copper Contact

Applications:

- Enables Between Series Connections
- General Purpose Test
- Precision Test & Measurement

Fairview Microwave
 1130 Junction Dr. #100
 Allen, TX 75013
 Tel: 1-800-715-4396 / (972) 649-6678
 Fax: (972) 649-6689
www.fairviewmicrowave.com
sales@fairviewmicrowave.com

Material Specifications

Description	Connector 1	Connector 2
Type	2.92mm Female	2.4mm Male
Contact Material	Beryllium Copper	Beryllium Copper
Contact Plating	Gold	Gold
Contact Plating Spec.	MIL-G-45204	MIL-G-45204
Insulation Material	PEI/PCTFE	PEI/PCTFE
Outer Contact Material	Passivated Stainless Steel	
Outer Contact Plating Spec.	QQ-P-35	
Body Material		Passivated Stainless Steel
Body Plating Spec.		QQ-P-35
Coupling Nut Material		Passivated Stainless Steel
Coupling Nut Plating Spec.		QQ-P-35

Environmental Specifications

Temperature

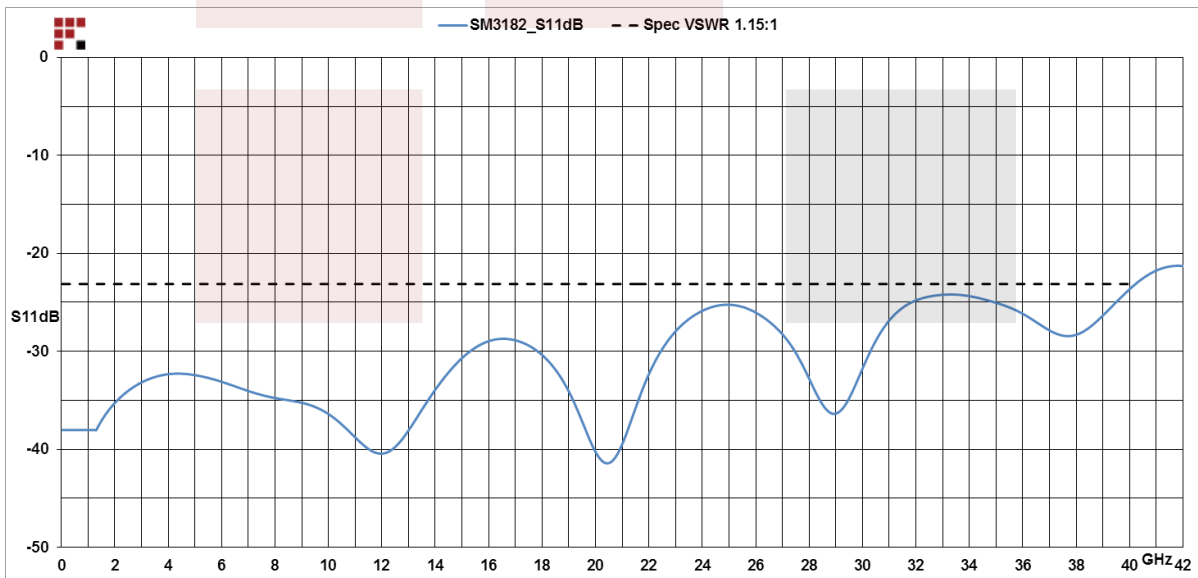
Operating Range -55 to +135 deg C

Compliance Certifications (see [product page](#) for current document)

Plotted and Other Data

Notes:

Typical Performance Data



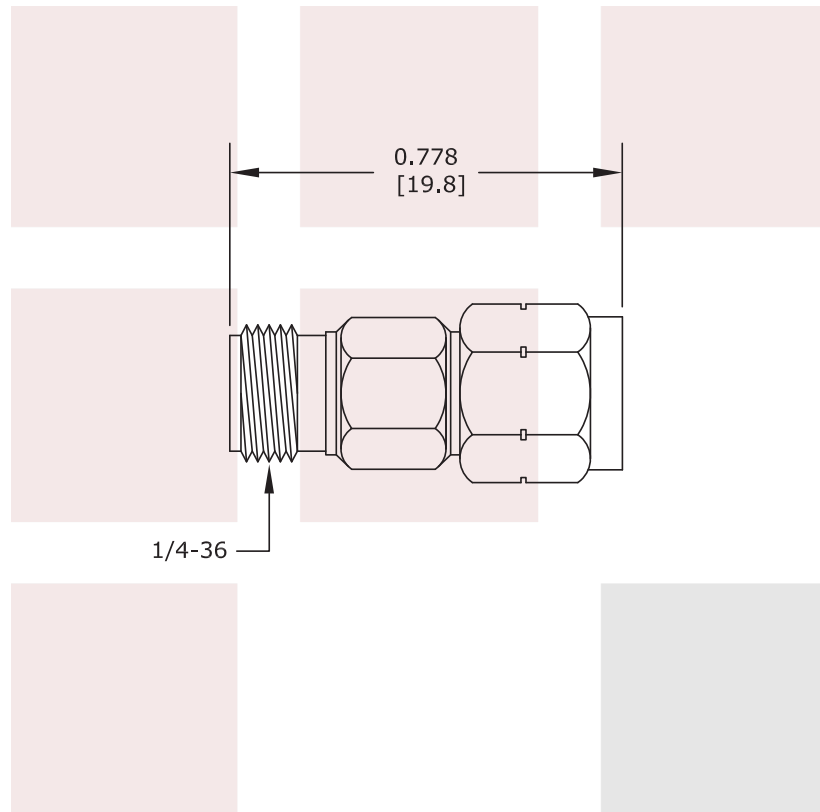
Precision 2.92mm Female to 2.4mm Male Adapter from Fairview Microwave is in-stock and available to ship same-day. All of our RF/microwave products are available off-the-shelf from our ISO 9001:2008 certified facilities in Allen, Texas. Fairview Microwave is RF on-demand.

For additional information on this product, please click the following link: [Precision 2.92mm Female to 2.4mm Male Adapter SM3182](#)

URL: <https://www.fairviewmicrowave.com/2.92mm-female-2.4mm-male-adapter-sm3182-p.aspx>

The information contained in this document is accurate to the best of our knowledge and representative of the part described herein. It may be necessary to make modifications to the part and/or the documentation of the part, in order to implement improvements. Fairview Microwave reserves the right to make such changes as required. Unless otherwise stated, all specifications are nominal. Fairview Microwave does not make any representation or warranty regarding the suitability of the part described herein for any particular purpose, and Fairview Microwave does not assume any liability arising out of the use of any part or documentation.





FAIRVIEW MICROWAVE INC. ALLEN, TX 75013 WWW.FAIRVIEWMICROWAVE.COM		NOTES: 1. UNLESS OTHERWISE SPECIFIED ALL DIMENSIONS ARE NOMINAL. 2. ALL SPECIFICATIONS ARE SUBJECT TO CHANGE WITHOUT NOTICE AT ANY TIME. 3. DIMENSIONS ARE IN INCHES [mm].			
TITLE Precision 2.92mm Female to 2.4mm Male Adapter		DWG NO SM3182		CAGE CODE 3FKR5	
CAD FILE	111315	SHEET	SCALE	N/A	SIZE A 150