

Bulkhead 4.1/9.5 Mini DIN Female to N Female Adapter IP67 Mated

Electrical Specifications

Frequency Range DC to 6 GHz
 Maximum VSWR 1.25:1

Specifications by Frequency

Description	F1	F2	F3	F4	F5	Units
Range	DC to 3	3 to 4				GHz
VSWR	1.1:1	1.15:1				
Return Loss	26.4	23.13				dB

Mechanical Specifications

Size
 Length 1.756 in [44.6 mm]

Connector 1

Type 4.1/9.5 Mini DIN Female
 Inner Conductor Material and Plating Beryllium Copper, Silver
 Body Material and Plating Brass, Tri-Metal
 Dielectric Type PTFE

Connector 2

Type N Female
 Inner Conductor Material and Plating Beryllium Copper, Silver
 Body Material and Plating Brass, Tri-Metal
 Dielectric Type PTFE

Environmental Specifications

Temperature
 Operating Range -55 to +120 deg C

Ingress Protection IP67 Mated

Plotted and Other Data

Notes:
 • Values at 25 °C, sea level

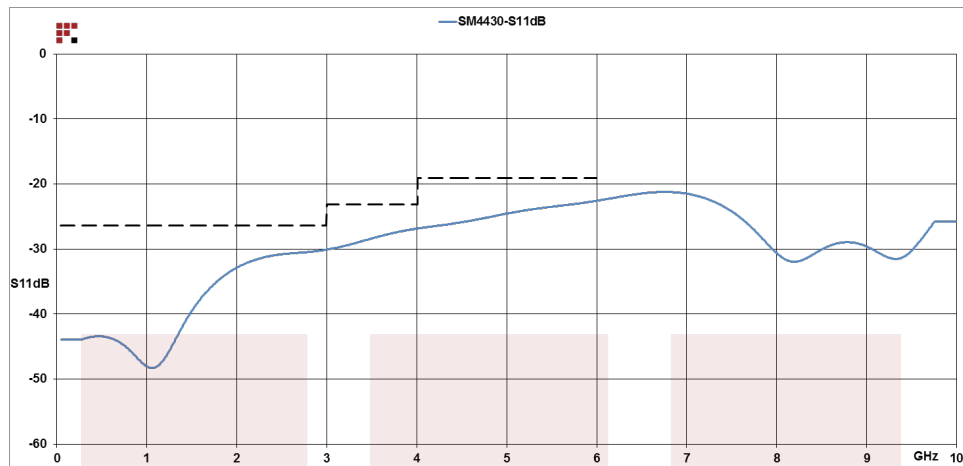


Features:

- Ingress Protection: IP67 Mated
- Connector 1: 4.1/9.5 Mini DIN Female
- Impedance 1: 50 Ohms
- Connector 2: N Female
- Impedance 2: 50 Ohms
- Adapter Design: Standard
- Body Style: Straight
- Mount Method: Bulkhead

Fairview Microwave
 1130 Junction Dr. #100
 Allen, TX 75013
 Tel: 1-800-715-4396 / (972) 649-6678
 Fax: (972) 649-6689
www.fairviewmicrowave.com
sales@fairviewmicrowave.com

Power Data

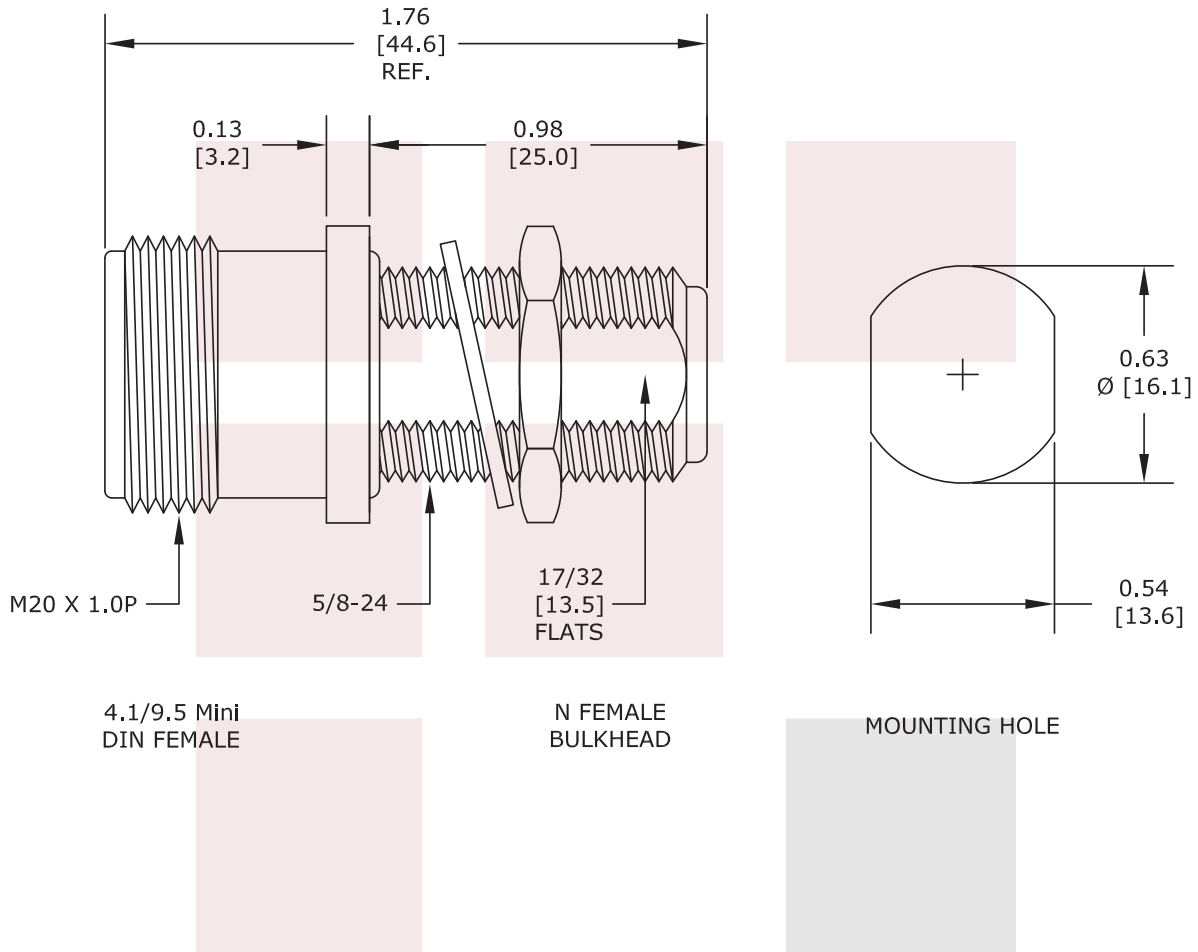


Bulkhead 4.1/9.5 Mini DIN Female to N Female Adapter IP67 Mated from Fairview Microwave is in-stock and available to ship same-day. All of our RF/microwave products are available off-the-shelf from our ISO 9001:2008 certified facilities in Allen, Texas. Fairview Microwave is RF on-demand.

For additional information on this product, please click the following link: [Bulkhead 4.1/9.5 Mini DIN Female to N Female Adapter IP67 Mated SM4430](#)

URL: <http://www.fairviewmicrowave.com/bulkhead-4.1-9.5-mini-din-female-n-female-adapter-sm4430-p.aspx>

The information contained in this document is accurate to the best of our knowledge and representative of the part described herein. It may be necessary to make modifications to the part and/or the documentation of the part, in order to implement improvements. Fairview Microwave reserves the right to make such changes as required. Unless otherwise stated, all specifications are nominal. Fairview Microwave does not make any representation or warranty regarding the suitability of the part described herein for any particular purpose, and Fairview Microwave does not assume any liability arising out of the use of any part or documentation.



FAIRVIEW MICROWAVE INC. ALLEN, TX 75013 WWW.FAIRVIEWMICROWAVE.COM		NOTES: 1. UNLESS OTHERWISE SPECIFIED ALL DIMENSIONS ARE NOMINAL. 2. ALL SPECIFICATIONS ARE SUBJECT TO CHANGE WITHOUT NOTICE AT ANY TIME. 3. DIMENSIONS ARE IN INCHES [mm].			
TITLE Bulkhead 4.1/9.5 Mini DIN Female to N Female Adapter IP67 Mated		DWG NO SM4430		CAGE CODE 3FKR5	
		CAD FILE 061814	SHEET	SCALE N/A	SIZE A 2233