

N-N F/F 12GHZ BULKHEAD ISOLATED GROUND

SM4051

SPECIFICATIONS

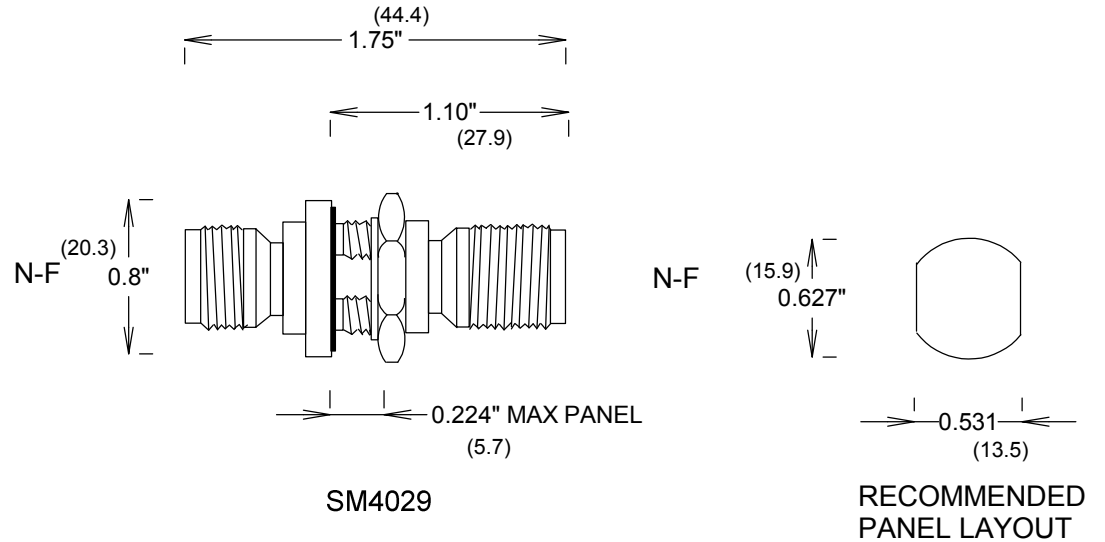
ELECTRICAL

FREQUENCY: 0-12.4 GHZ
 IMPEDANCE: 75 OHMS
 VSWR: 6GHZ 1.2:1 MAX
 VSWR 12.4GHZ: 1.4:1 MAX
 ISOLATED GROUND

MECHANICAL

MATERIALS BODY NICKEL PLATED BRASS
 CONTACT: BeCu
 CONTACT PLATING: Au MIL-G-45204
 MATERIAL INSULATOR: TEFLON
 INTERFACE: MIL-STD-348A

ROHS COMPLIANT



SM4029

RECOMMENDED
PANEL LAYOUT

FAIRVIEW MICROWAVE INC.

ALLEN, TX 75013 WWW.FAIRVIEWMICROWAVE.COM

TITLE

**N-N F/F 12GHZ BULKHEAD
ISOLATED GROUND**

ALL DIMENSIONS IN inches(MM) Typical	SIZE A	CAGE CODE 3FKR5	DWG NO SM4051	REV A
	SCALE		SHEET	