

ADAPTER UHF/F-BNC/M

SM2138

SPECIFICATIONS

ELECTRICAL:

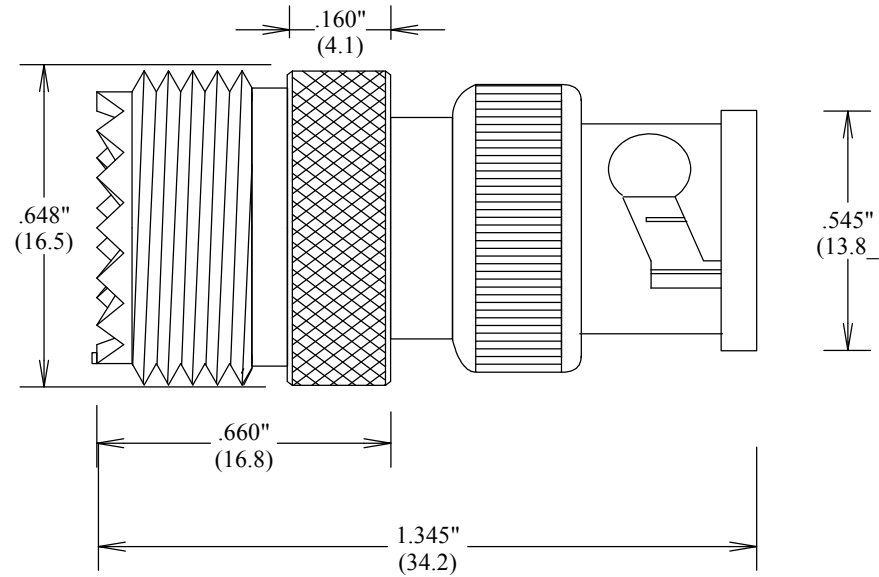
FREQUENCY: 0-300 MHZ
 WORKING VOLTAGE: 500 VRMS @ SEA LEVEL

MATERIALS:

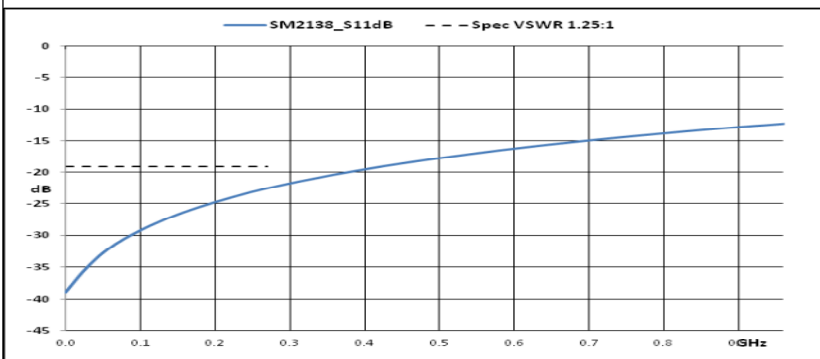
BODY: NICKEL PLATED BRASS
 CONTACT: SILVER PLATED BRASS
 INSULATOR: PFTE
 INTERFACE: MIL-STD-348A

MECHANICAL:

ROHS COMPLIANT



MEASUREMENTS BELOW ARE TYPICAL



ALL DIMENSIONS IN inches(mm) Typical

FAIRVIEW MICROWAVE INC.
 ALLEN, TX 75013 WWW.FAIRVIEWMICROWAVE.COM

TITLE

ADAPTER UHF/F-BNC/M

SIZE	CAGE CODE	DWG NO	REV
A	3FKR5	SM2138	--
SCALE	SHEET		