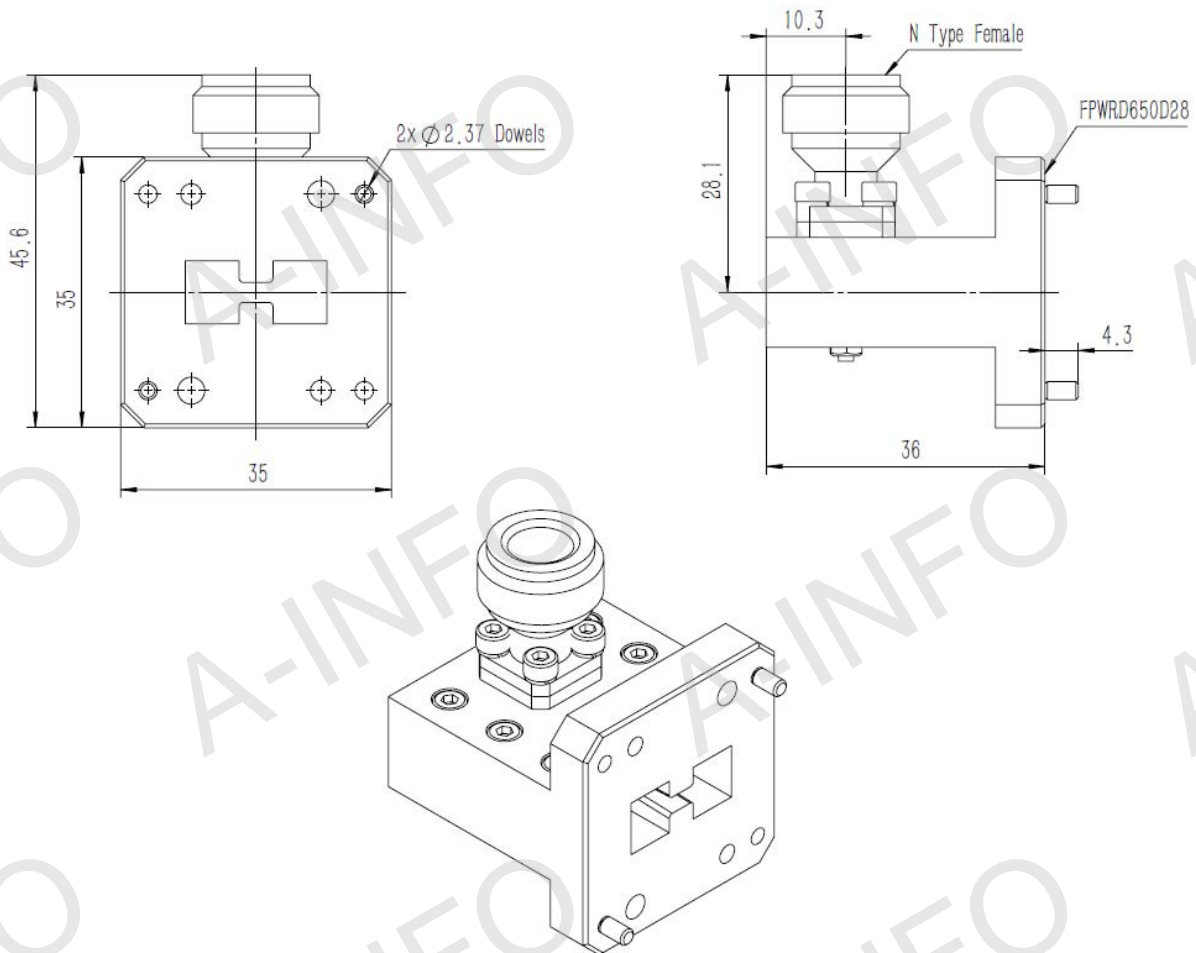


Technical Specification



EIA WRD	WRD650
Frequency Range(GHz)	6.5 - 18.0
Insertion Loss(dB)	0.35 Max.
VSWR	1.30:1 Max.
Flange	FPWRD650D28
Connector	N-Female
Material	Cu
Size(mm)	36 x 35 x 45.6
Net Weight(Kg)	0.15 Around

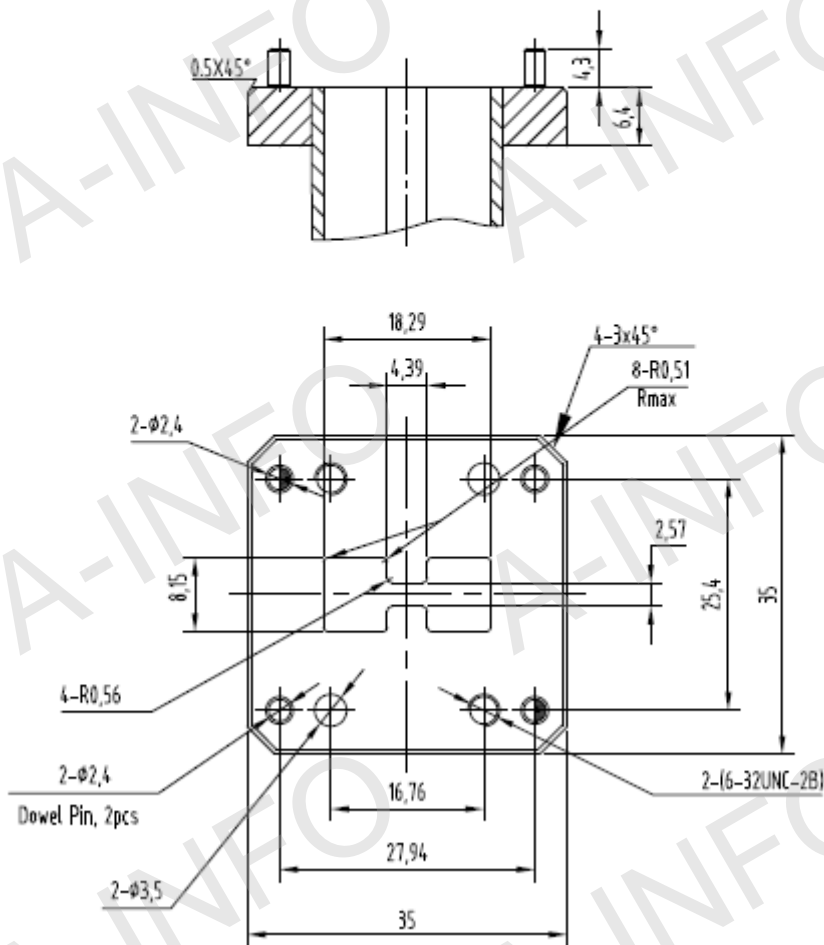
Outline Drawing (Size: mm)



Flange Drawing (Size: mm)

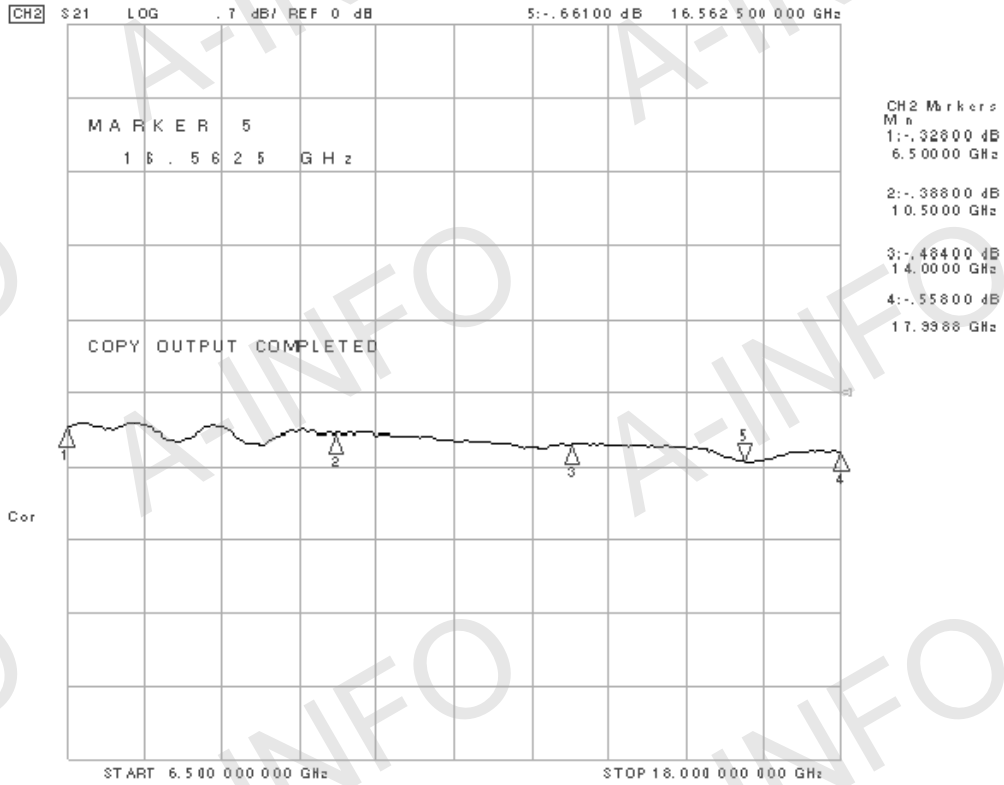
FPWRD650D28

(With two through mounting holes
and two screws holes)



Test Results

I.L. (Test with two adapters back to back)



VSWR

