

BNC/M-BNC/F REVERSE POLARITY 4 GHZ ADAPTER

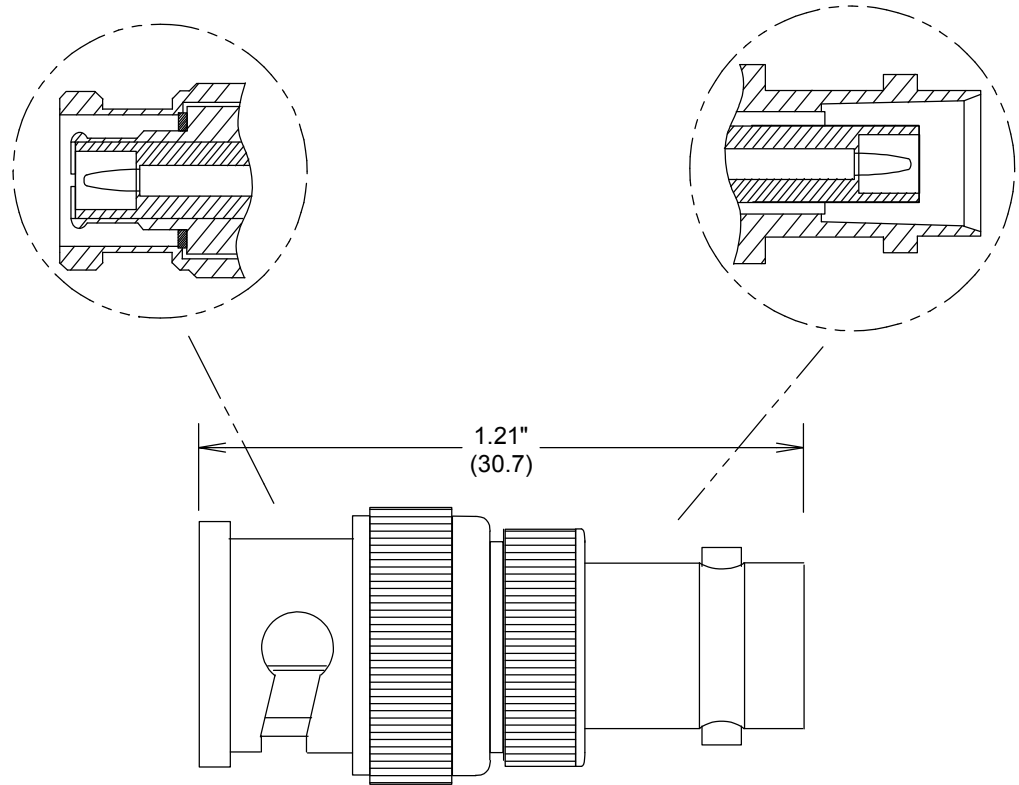
SM3401

SPECIFICATIONS

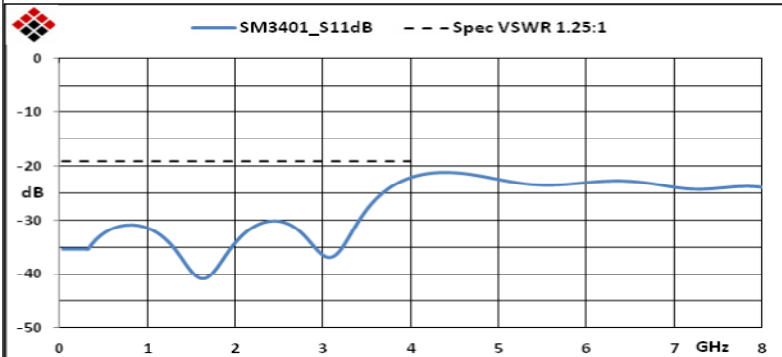
ELECTRICAL
 FREQUENCY: 0-4 GHZ
 VSWR: 1.2:1 MAX

MECHANICAL
 MATERIAL BODY: NICKEL PLATED BRASS
 CONTACTS: Au PLATED PER 30 μ -in
 INSULATOR: DELRIN
 INTERFACE: MIL-STD-348A

ROHS COMPLIANT



MEASUREMENTS BELOW ARE TYPICAL



ALL DIMENSIONS IN inches(MM) Typical

FAIRVIEW MICROWAVE INC.

ALLEN, TX 75013 WWW.FAIRVIEWMICROWAVE.COM

TITLE

**BNC/M-BNC/F REVERSE POLARITY
4 GHZ ADAPTER**

SIZE

A

CAGE CODE

3FKR5

DWG NO

SM3401

REV

A

SCALE

SHEET