

RA 1.85mm Female to 2.92mm Female Adapter

Electrical Specifications

Frequency Range	DC to 40 GHz
Maximum VSWR	1.3:1
Maximum Insertion Loss	0.35 dB

Specifications by Frequency

Description	F1	F2	F3	F4	F5	Units
Range	DC to 0	0 to 40				GHz
VSWR	1.3:1					
Return Loss	17.69					dB

Mechanical Specifications

Weight 0.01058 lbs [4.8 g]

Connector 1

Type	1.85mm Female
Inner Conductor Material and Plating	Beryllium Copper, Gold
Inner Conductor Plating Specification	MIL-G-45204
Outer Conductor Material and Plating	Passivated Stainless Steel
Outer Conductor Plating Specification	ASTM A380
Body Material and Plating	Passivated Stainless Steel
Body Plating Specification	ASTM A380
Dielectric Type	Air

Connector 2

Type	2.92mm Female
Inner Conductor Material and Plating	Beryllium Copper, Gold
Inner Conductor Plating Specification	MIL-G-45204
Outer Conductor Material and Plating	Passivated Stainless Steel
Outer Conductor Plating Specification	ASTM A380
Body Material and Plating	Passivated Stainless Steel
Body Plating Specification	ASTM A380
Dielectric Type	Air

Environmental Specifications

Temperature

Operating Range -55 to +125 deg C

Compliance Certifications (visit www.FairviewMicrowave.com for current document)

RoHS Compliant Yes

Plotted and Other Data

Notes:

- Values at 25 °C, sea level



Features:

- Connector 1: 1.85mm Female
- Impedance 1: 50 Ohms
- Connector 2: 2.92mm Female
- Impedance 2: 50 Ohms
- Adapter Design: Standard
- Body Style: Right Angle

Fairview Microwave
 1130 Junction Dr. #100
 Allen, TX 75013
 Tel: 1-800-715-4396 / (972) 649-6678
 Fax: (972) 649-6689
www.fairviewmicrowave.com
sales@fairviewmicrowave.com

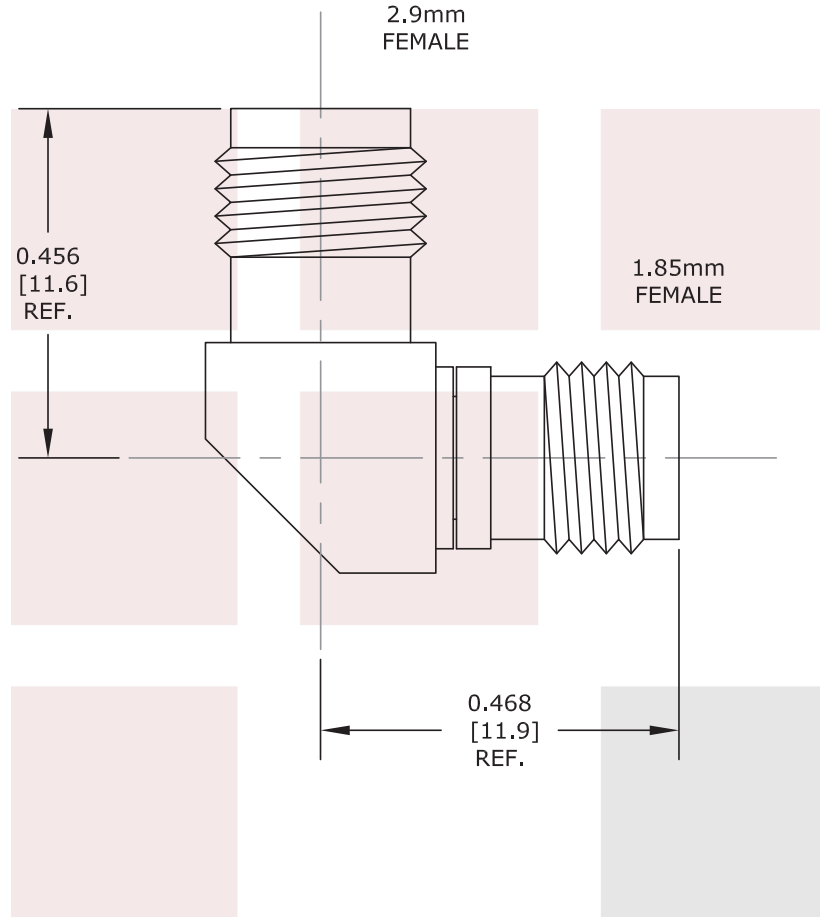
RA 1.85mm Female to 2.92mm Female Adapter from Fairview Microwave is in-stock and available to ship same-day. All of our RF/microwave products are available off-the-shelf from our ISO 9001:2008 certified facilities in Allen, Texas. Fairview Microwave is RF on-demand.

For additional information on this product, please click the following link: [RA 1.85mm Female to 2.92mm Female Adapter SM3846](#)

URL: <http://www.fairviewmicrowave.com/ra-1.85mm-female-2.92mm-female-adapter-sm3846-p.aspx>

The information contained in this document is accurate to the best of our knowledge and representative of the part described herein. It may be necessary to make modifications to the part and/or the documentation of the part, in order to implement improvements. Fairview Microwave reserves the right to make such changes as required. Unless otherwise stated, all specifications are nominal. Fairview Microwave does not make any representation or warranty regarding the suitability of the part described herein for any particular purpose, and Fairview Microwave does not assume any liability arising out of the use of any part or documentation.





FAIRVIEW MICROWAVE INC. ALLEN, TX 75013 WWW.FAIRVIEWMICROWAVE.COM		NOTES: 1. UNLESS OTHERWISE SPECIFIED ALL DIMENSIONS ARE NOMINAL. 2. ALL SPECIFICATIONS ARE SUBJECT TO CHANGE WITHOUT NOTICE AT ANY TIME. 3. DIMENSIONS ARE IN INCHES [mm].			
RA-1.85mm Female to 2.92mm Female Adapter 1.85mm Female to 2.4mm Female Right Angle Adapter		DWG NO SM3846		CAGE CODE 3FKR5	
CAD FILE	030314	SHEET	SCALE	N/A	SIZE A 2233