

**7/16 DIN Male to 7/16 DIN Female Adapter
 IP67 UnMated**

Electrical Specifications

Frequency Range DC to 6 GHz
 Maximum VSWR 1.25:1

Mechanical Specifications

Size
 Length 1.673 in [42.49 mm]

Connector 1

Type	7/16 DIN Male
Inner Conductor Material and Plating	Beryllium Copper, Silver
Coupling Nut Material and Plating	Brass, Tri-Metal
Hex Size	32 mm
Body Material and Plating	Brass, Tri-Metal
Dielectric Type	PTFE

Connector 2

Type	7/16 DIN Female
Inner Conductor Material and Plating	Beryllium Copper, Silver
Body Material and Plating	Brass, Tri-Metal
Dielectric Type	PTFE

Environmental Specifications

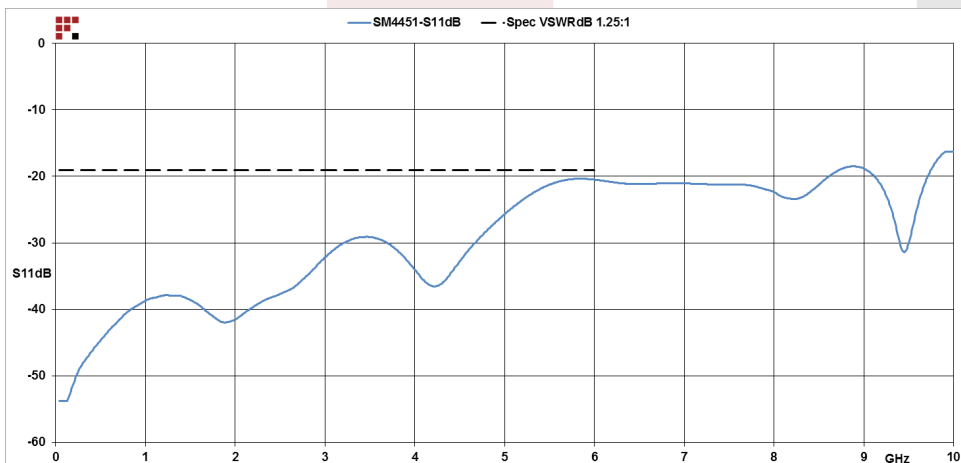
Temperature
 Operating Range -45 to +120 deg C

Ingress Protection IP67 UnMated

Plotted and Other Data

Notes:
 • Values at 25 °C, sea level

Power Data



Features:

- Ingress Protection: IP67 UnMated
- Connector 1: 7/16 DIN Male
- Impedance 1: 50 Ohms
- Connector Specification 1: IEC 169-4
- Connector 2: 7/16 DIN Female
- Impedance 2: 50 Ohms
- Connector Specification 2: IEC 169-4
- Adapter Design: Standard
- Body Style: Straight

Fairview Microwave
 1130 Junction Dr. #100
 Allen, TX 75013
 Tel: 1-800-715-4396 / (972) 649-6678
 Fax: (972) 649-6689
 www.fairviewmicrowave.com
 sales@fairviewmicrowave.com

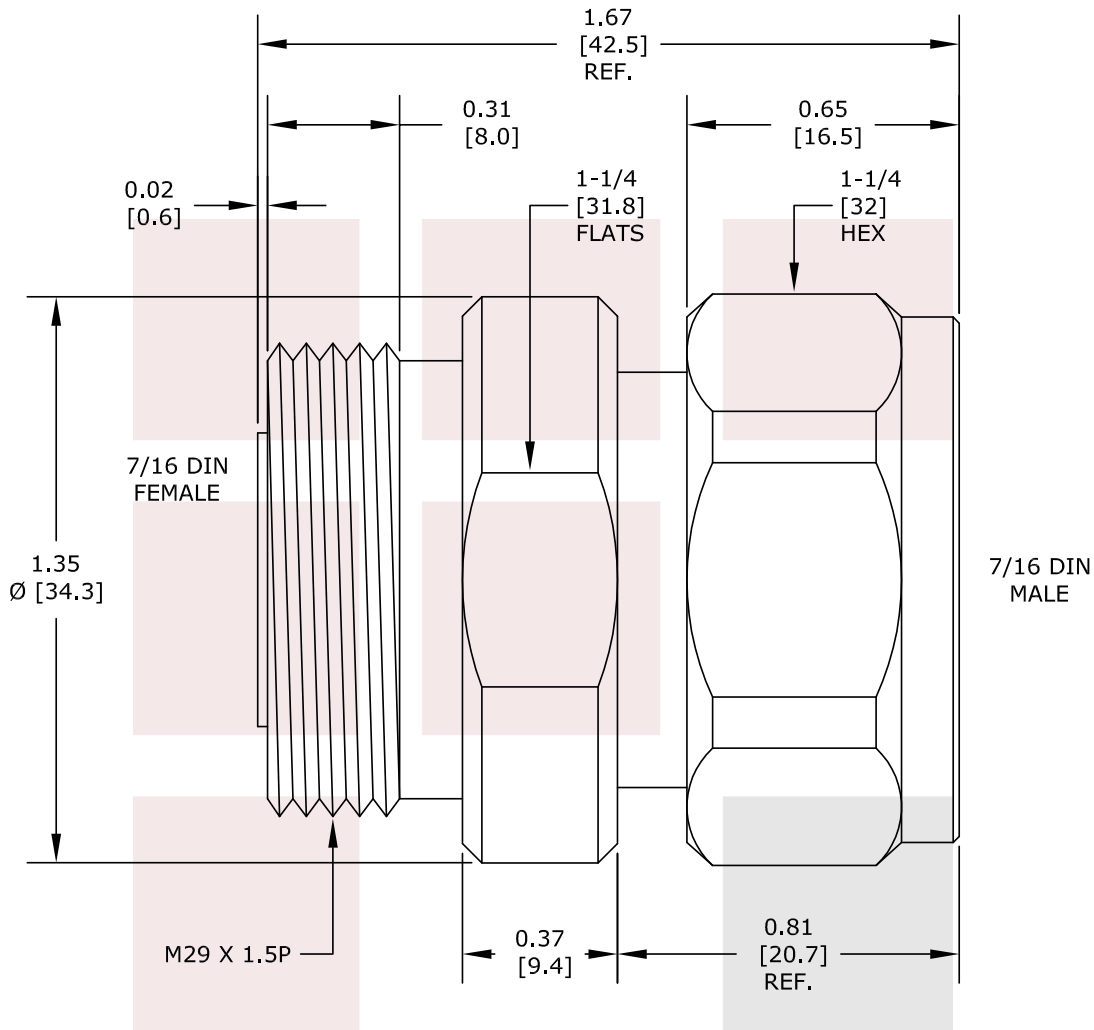
7/16 DIN Male to 7/16 DIN Female Adapter IP67 UnMated from Fairview Microwave is in-stock and available to ship same-day. All of our RF/microwave products are available off-the-shelf from our ISO 9001:2008 certified facilities in Allen, Texas. Fairview Microwave is RF on-demand.

For additional information on this product, please click the following link: [7/16 DIN Male to 7/16 DIN Female Adapter IP67 UnMated SM4451](#)

URL: <http://www.fairviewmicrowave.com/7-16-male-7-16-female-adapter-sm4451-p.aspx>

The information contained in this document is accurate to the best of our knowledge and representative of the part described herein. It may be necessary to make modifications to the part and/or the documentation of the part, in order to implement improvements. Fairview Microwave reserves the right to make such changes as required. Unless otherwise stated, all specifications are nominal. Fairview Microwave does not make any representation or warranty regarding the suitability of the part described herein for any particular purpose, and Fairview Microwave does not assume any liability arising out of the use of any part or documentation.





FAIRVIEW MICROWAVE INC. ALLEN, TX 75013 WWW.FAIRVIEWMICROWAVE.COM		NOTES: 1. UNLESS OTHERWISE SPECIFIED ALL DIMENSIONS ARE NOMINAL. 2. ALL SPECIFICATIONS ARE SUBJECT TO CHANGE WITHOUT NOTICE AT ANY TIME. 3. DIMENSIONS ARE IN INCHES [mm].			
TITLE 7/16 DIN Male to 7/16 DIN Female Adapter IP67 UnMated		DWG NO SM4451		CAGE CODE 3FKR5	
CAD FILE	061114	SHEET	SCALE	N/A	SIZE A 2233