

## 4 Hole Flange SMA Female to BNC Female Adapter

4 hole flange SMA female to BNC female adapter part number SM4708 from Fairview Microwave is in-stock and ships same day. This Fairview SMA to BNC adapter has a female to female gender configuration. SM4708 SMA female to BNC female adapter operates to 4 GHz. The Fairview Microwave RF adapter provides excellent VSWR of 1.2:1 maximum. The SMA connector mates mechanically with commercially available 3.5mm and 2.92mm (K) connectors. Our RF SMA 4 hole flange to BNC adapter allows designers to create external connections on their product enclosures, and can be used in a variety of other rack mount and panel mount applications.

RF adapters can be used to enable connections between two connector types that would otherwise not mate. Certain RF adapter configurations can also be used to protect connectors on expensive equipment where the number of connect and disconnect cycles is high. An RF, microwave, or millimeter wave adapter is connected to the equipment and the commonly changed connection is made with the adapter which can be easily replaced when it wears out after high usage; such adapters are referred to as connector savers. Fairview Microwave also offers bulkhead, panel mount, hermetically sealed, reverse polarity, and isolated ground adapter varieties to serve all of your RF, microwave and millimeter wave needs.

### Electrical Specifications

Description	Min	Typ	Max	Units
Frequency Range	DC		4	GHz
VSWR			1.2:1	
Insulation Resistance	5,000			MOhms

Electrical Specification Notes:  
Values at 25° C, sea level.

### Mechanical Specifications

Size	
Length	1.32 in [33.53 mm]
Width	0.687 in [17.45 mm]
Weight	0.0355 lbs [16.1 g]

Description	Connector 1	Connector 2
Type	SMA Female	BNC Female
Polarity	Standard	Standard
Interface Specification	MIL-STD-348	MIL-STD-348



### Configuration:

- SMA Female Connector 1
- BNC Female Connector 2
- 50 Ohm
- Straight Body Geometry
- 4 Hole Flange Mount Method

### Features:

- VSWR of 1.2:1 max up to 4 GHz
- SMA interface meets MIL-STD-348
- BNC interface meets MIL-STD-348
- Contact plating according to MIL-G-45204
- Gold Plated Beryllium Copper Contact

### Applications:

- Enables Between Series Connections
- General Purpose Test
- Rack Mounted Equipment

Fairview Microwave  
1130 Junction Dr. #100  
Allen, TX 75013  
Tel: 1-800-715-4396 / (972) 649-6678  
Fax: (972) 649-6689  
[www.fairviewmicrowave.com](http://www.fairviewmicrowave.com)  
[sales@fairviewmicrowave.com](mailto:sales@fairviewmicrowave.com)

**Material Specifications**

Description	Connector 1	Connector 2
Type	SMA Female	BNC Female
Contact Material	Beryllium Copper	Beryllium Copper
Contact Plating	Gold	Gold
Contact Plating Spec.	MIL-G-45204	MIL-G-45204
Insulation Material	PTFE	PTFE
Outer Contact Material	Passivated Stainless Steel	Brass
Outer Contact Plating		Nickel
Outer Conductor Contact Spec.		QQ-N-290

**Environmental Specifications**

**Temperature**

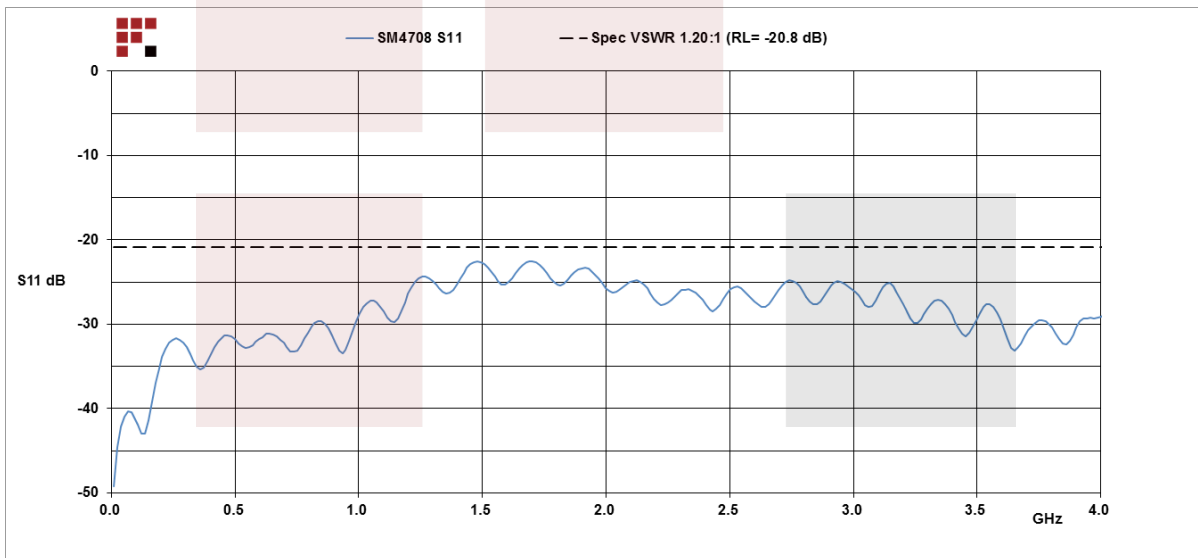
Operating Range -65 to +165 deg C

**Compliance Certifications** (see [product page](#) for current document)

**Plotted and Other Data**

Notes:

**Typical Performance Data**



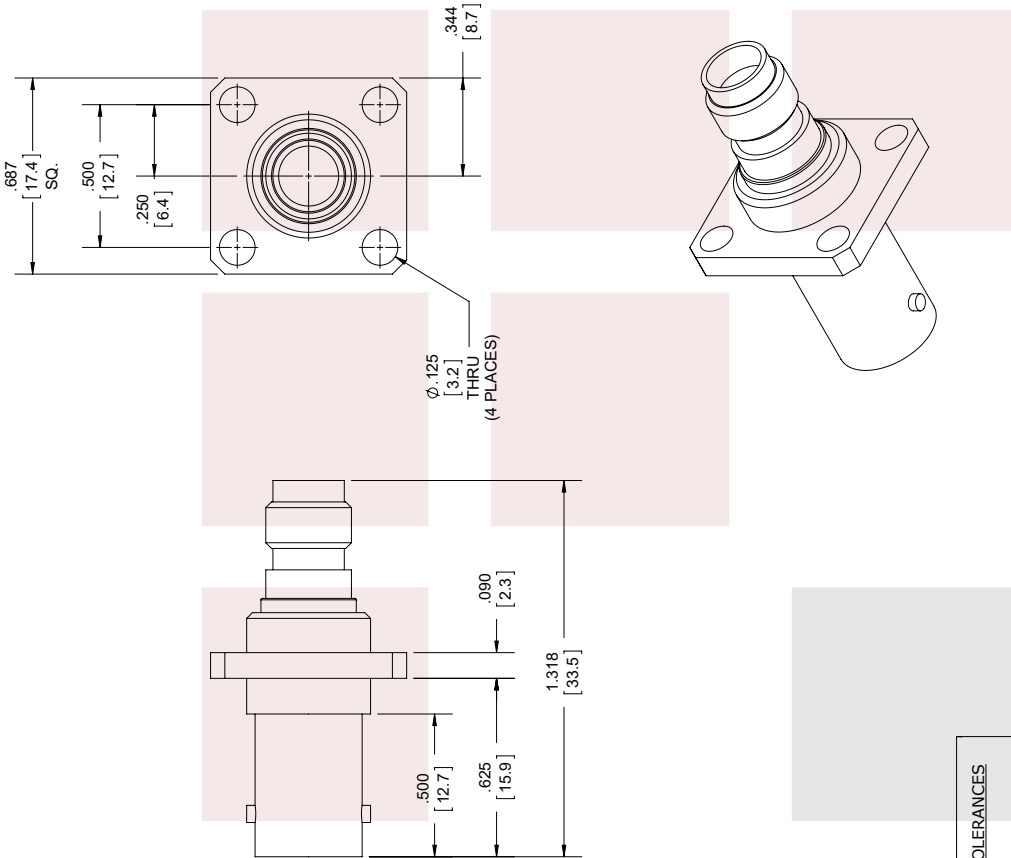
4 Hole Flange SMA Female to BNC Female Adapter from Fairview Microwave is in-stock and available to ship same-day. All of our RF/microwave products are available off-the-shelf from our ISO 9001:2008 certified facilities in Allen, Texas. Fairview Microwave is RF on-demand.

For additional information on this product, please click the following link: [4 Hole Flange SMA Female to BNC Female Adapter SM4708](#)

URL: <https://www.fairviewmicrowave.com/4-hole-flange-sma-female-bnc-female-adapter-sm4708-p.aspx>

The information contained in this document is accurate to the best of our knowledge and representative of the part described herein. It may be necessary to make modifications to the part and/or the documentation of the part, in order to implement improvements. Fairview Microwave reserves the right to make such changes as required. Unless otherwise stated, all specifications are nominal. Fairview Microwave does not make any representation or warranty regarding the suitability of the part described herein for any particular purpose, and Fairview Microwave does not assume any liability arising out of the use of any part or documentation.





**STANDARD TOLERANCES**  
 .X ±0.2  
 .XX ±0.01  
 .XXX ±0.005

\*STANDARD TOLERANCES APPLY  
 ONLY TO DIMENSIONS IN INCHES

<b>FAIRVIEW MICROWAVE INC.</b> ALLEN, TX 75013 WWW.FAIRVIEWMICROWAVE.COM TITLE		DWG NO	SM4708	CAGE CODE	3FKR5			
		CAD FILE	071217	SHEET	1 OF 1	SCALE	N/A	SIZE

NOTES:  
 1. UNLESS OTHERWISE SPECIFIED ALL DIMENSIONS ARE NOMINAL.  
 2. ALL SPECIFICATIONS ARE SUBJECT TO CHANGE WITHOUT NOTICE AT ANY TIME.  
 3. DIMENSIONS ARE IN INCHES [mm].

4 Hole Flange SMA Female to BNC Female Adapter