

# ADAPTER MHV Plug/Jack RIGHT ANGLE

## SM3862

### SPECIFICATIONS

#### ELECTRICAL

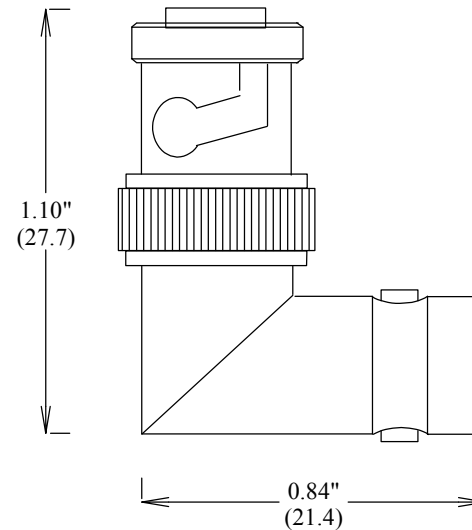
FREQUENCY: 0-300 MHZ  
 IMPEDANCE: 50 OHMS  
 VSWR: 1.20:1 MAX

#### MECHANICAL

MATERIALS BODY: NICKEL PLATED BRASS  
 CONTACT: BeCu, Si PLATED  
 INSULATOR: TEFLON

OPERATING TEMPERATURE: -55 to +120°C

ROHS COMPLIANT



**FAIRVIEW MICROWAVE INC.**

ALLEN, TX 75013 WWW.FAIRVIEWMICROWAVE.COM

TITLE

ADAPTER MHV Plug/Jack RIGHT ANGLE

ALL DIMENSIONS IN inches(MM) Typical		SIZE <b>A</b>	CAGE CODE <b>3FKR5</b>	DWG NO <b>SM3862</b>	REV --
SCALE			SHEET		