

# SMA/F-N/M 18GHZ FLANGE ADAPTER

SM4257

## SPECIFICATIONS

### ELECTRICAL

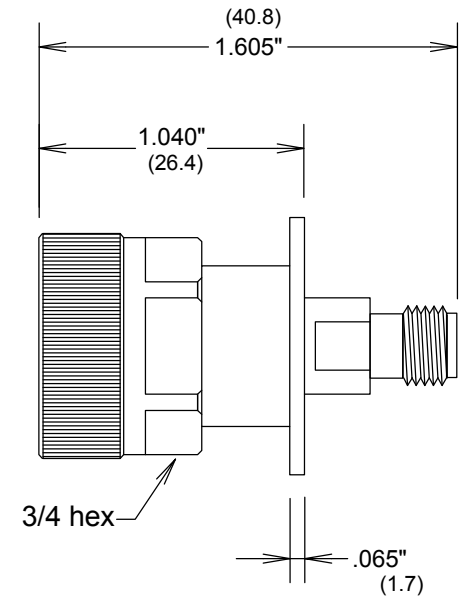
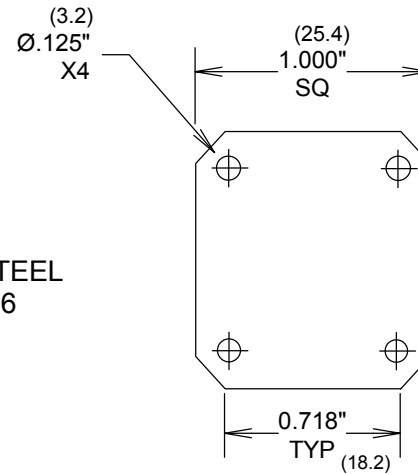
FREQUENCY: 0-18 GHZ  
 IMPEDANCE: 50 OHMS  
 VSWR: 1.15:1 MAX

### MECHANICAL

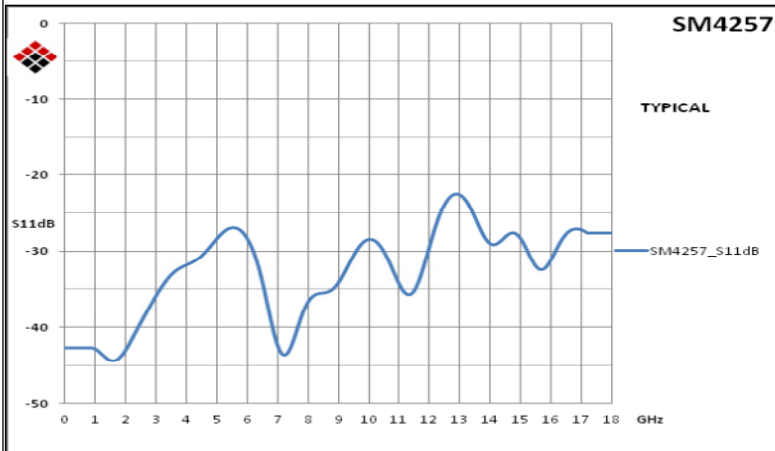
MATERIALS BODY PASSIVATED STAINLESS STEEL  
 MATERIALS CONTACTS: BeCu PER ASTM-B-196  
 CONTACT PLATING: Au PER MIL-G-45204  
 INTERFACE: MIL-STD-348  
 DIELECTRIC: TEFLON  
 DURABILITY: 500 CYCLES MIN

### ENVIRONMENTAL

ROHS COMPLIANT



MEASUREMENTS BELOW ARE TYPICAL



ALL DIMENSIONS IN inches(MM) Typical

<b>FAIRVIEW MICROWAVE INC.</b>			
ALLEN, TX 75013 WWW.FAIRVIEWMICROWAVE.COM			
TITLE			
<b>SMA/F-N/M 18GHZ FLANGE ADAPTER</b>			
SIZE	CAGE CODE	DWG NO	REV
<b>A</b>	3FKR5	<b>SM4257</b>	<b>A</b>
SCALE		SHEET	