

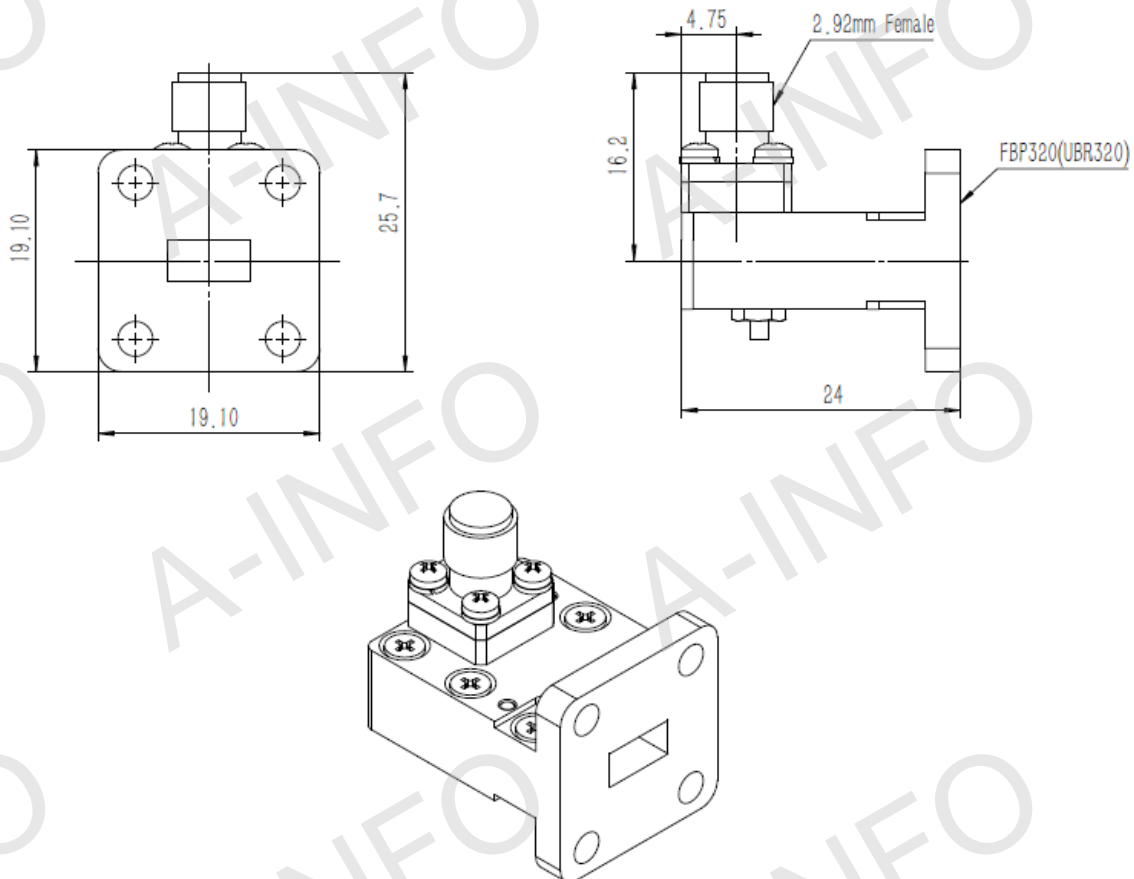
## Technical Specification



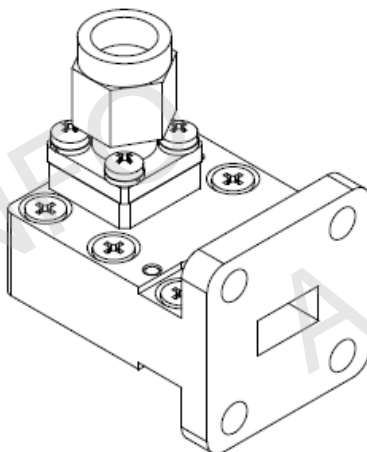
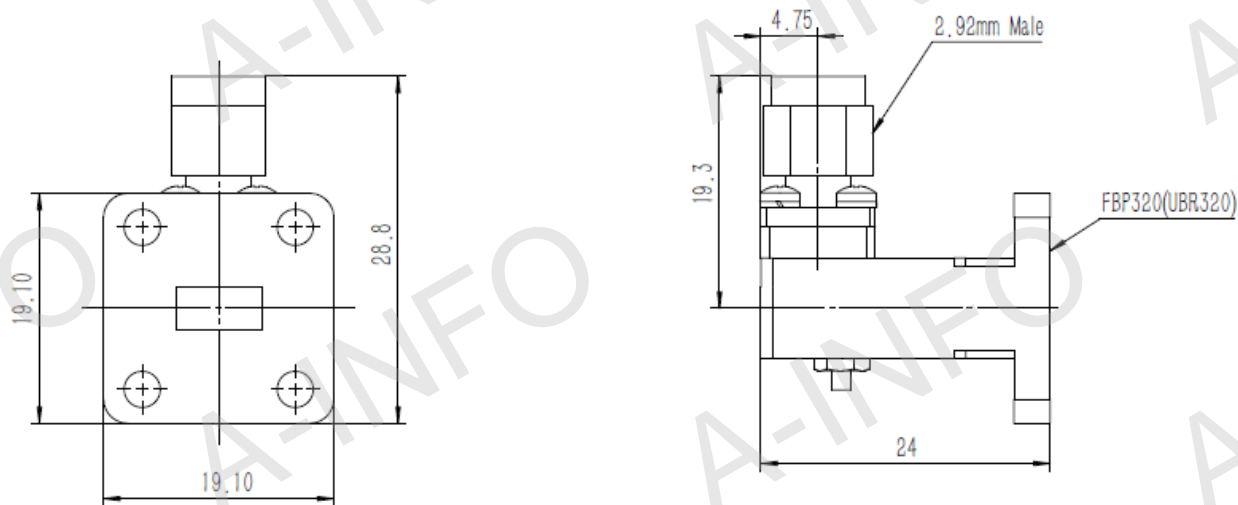
EIA WR	WR28
Frequency Range(GHz)	26.5 - 40.0
Theoretical Insertion Loss(dB)	0.39 Max.
VSWR	1.3:1 Max.
Flange	FBP320(UBR320)
Connector	2.92mm-Female /2.92mm-Male
Material	Cu
Size(mm)	19.1 x 24 x 25.7
Net Weight(Kg)	0.02 Around

## Outline Drawing (Size: mm)

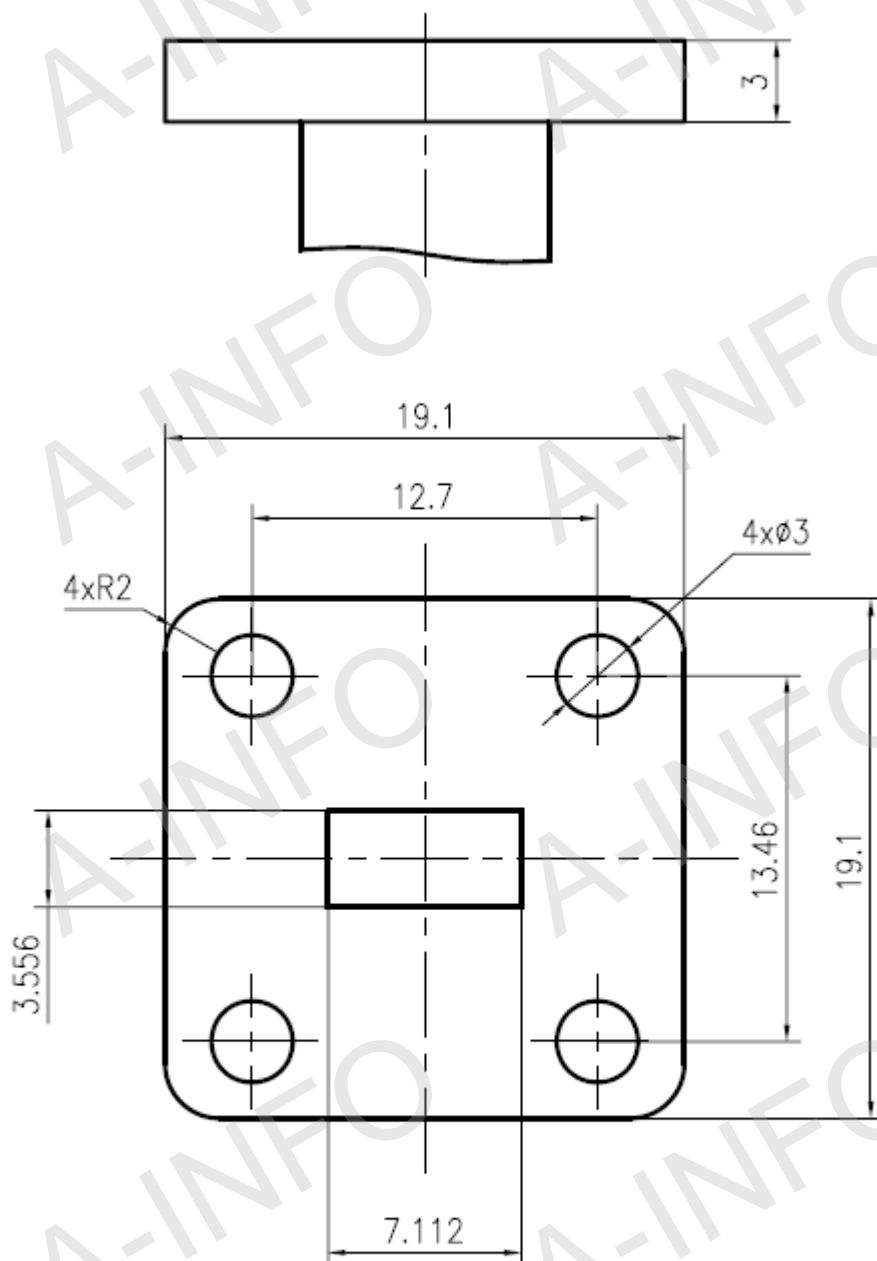
28WCAK\_Cu ( With 2.92mm-Female Output )



## 28WCAKM\_Cu ( With 2.92mm-Male Output )



## Flange Drawing (Size: mm)



## FBP320

AINFO Inc.

Page 3 of 4

China(Beijing):  
China(Chengdu):  
USA :

Tel: (+86) 10-6266-7326,  
Tel: (+86) 28-8519-2786,  
Tel: (+1) 949-639-9688,

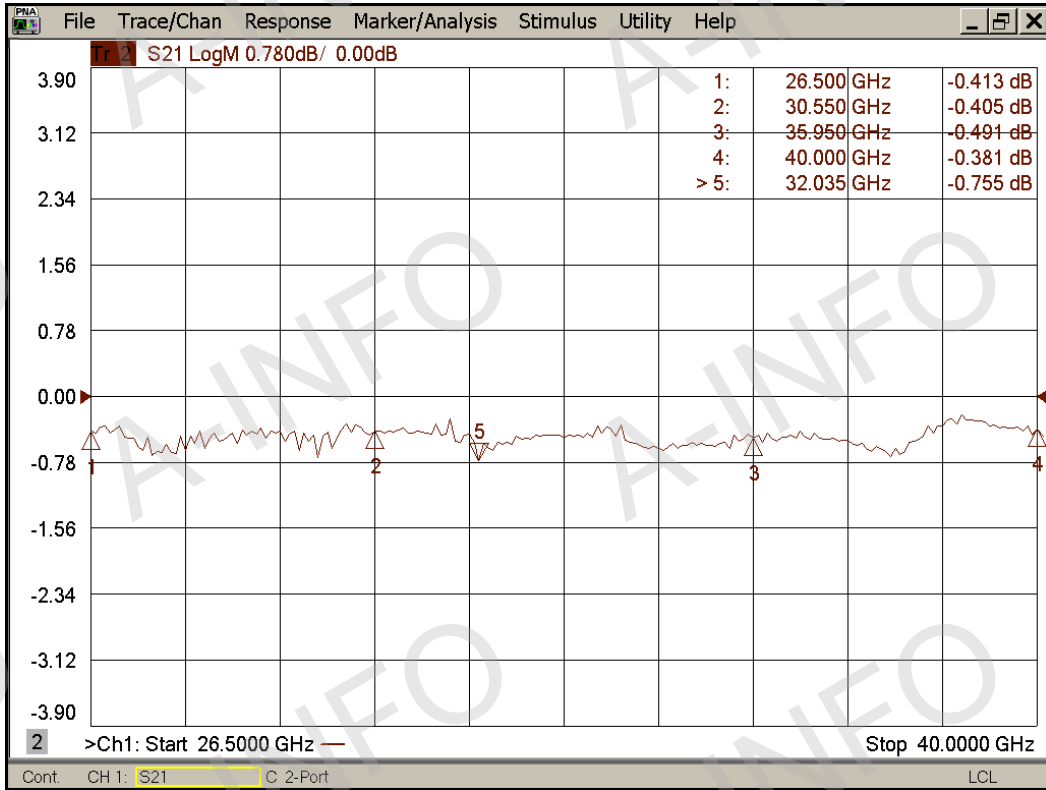
(+86) 10-6266-7327  
(+86) 28-8519-3044  
(+1) 949-639-9608

Fax: (+86) 10-6266-7379  
Fax: (+86) 28-8519-3068  
Fax: (+1) 949-639-9670

Website: [www.ainfoinc.com](http://www.ainfoinc.com)  
Email: [sales@ainfoinc.com](mailto:sales@ainfoinc.com)

## Test Results

I. L. (Test with two adapters back to back)



## VSWR

