

# REV POL TNC FEMALE - TNC/M

SM5798

## SPECIFICATIONS

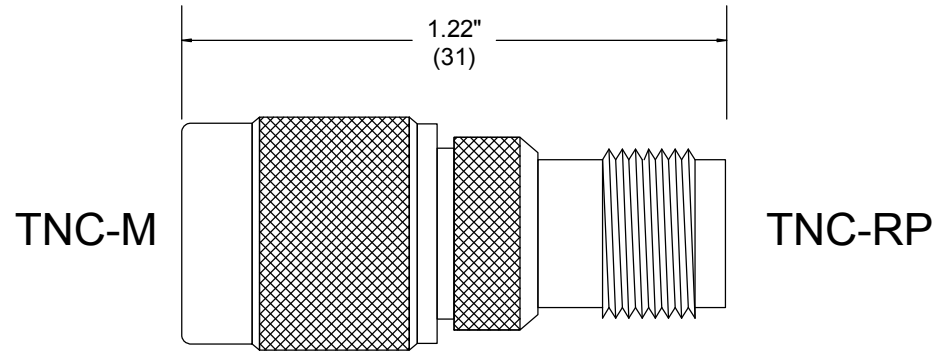
### ELECTRICAL

FREQUENCY: 0-6 GHZ  
 IMPEDANCE: 50 OHMS  
 VSWR: 1.25:1 MAX

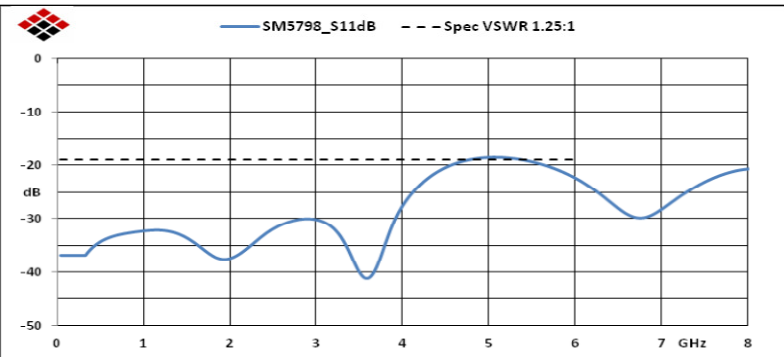
### MECHANICAL

MATERIALS BODY: NICKEL PLATED BRASS  
 MATERIALS FEMALE CONTACT: BRASS  
 MATERIALS MALE CONTACT: BeCu  
 CONTACT PLATING: Au PER MIL-G-45204  
 DIELECTRIC: TEFLON  
 INTERFACE: MIL-STD-348B  
 OPERATING TEMPERATURE: -45°C - +120°C

ROHS COMPLIANT



MEASUREMENTS BELOW ARE TYPICAL



ALL DIMENSIONS IN inches(MM) Typical

**FAIRVIEW MICROWAVE INC.**

ALLEN, TX 75013 WWW.FAIRVIEWMICROWAVE.COM

TITLE

REV POL TNC FEMALE - TNC/M

SIZE	CAGE CODE	DWG NO	REV
<b>A</b>	<b>3FKR5</b>	<b>SM5798</b>	--
SCALE		SHEET	