

# C M/F R ANGLE

SM3694

## SPECIFICATIONS

### ELECTRICAL

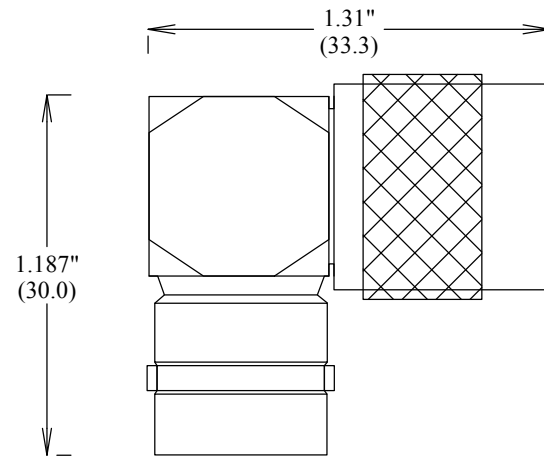
FREQUENCY: 0-11 GHZ  
IMPEDANCE: 50 OHMS  
VSWR: 1.25:1 MAX @ 11GHZ

### MECHANICAL

MATERIALS BODY NICKEL PLATED BRASS  
MATERIALS CONTACT: BeCu  
CONTACT PLATING: Au per MIL-G-45204  
DIELECTRIC: PTFE  
INTERFACE: MIL-STD-348B

OPERATING TEMPERATURE: -55°C- +125°C

ROHS COMPLAINT



**FAIRVIEW MICROWAVE INC.**

ALLEN, TX 75013 WWW.FAIRVIEWMICROWAVE.COM

TITLE

**C M/F R ANGLE**

SIZE	CAGE CODE	DWG NO	REV
<b>A</b>	<b>3FKR5</b>	<b>SM3694</b>	--
SCALE		SHEET	

ALL DIMENSIONS IN inches(MM) Typical