

# ADAPTER SMA/F-TNC/F 2-HOLE FLANGE S STEEL

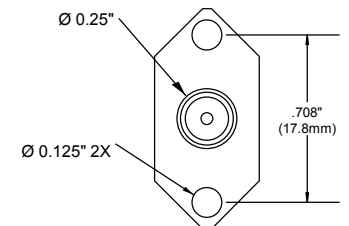
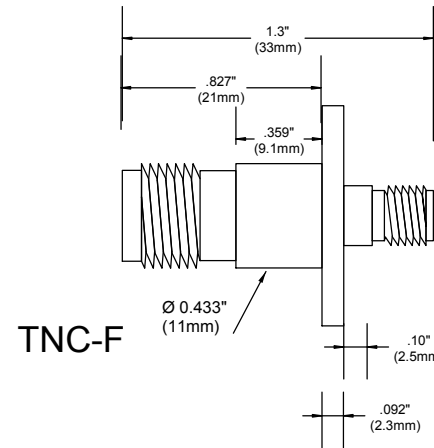
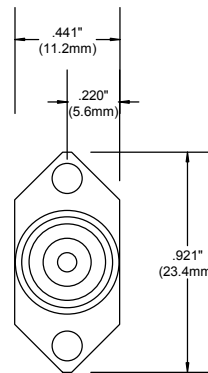
## SM4751

### SPECIFICATIONS

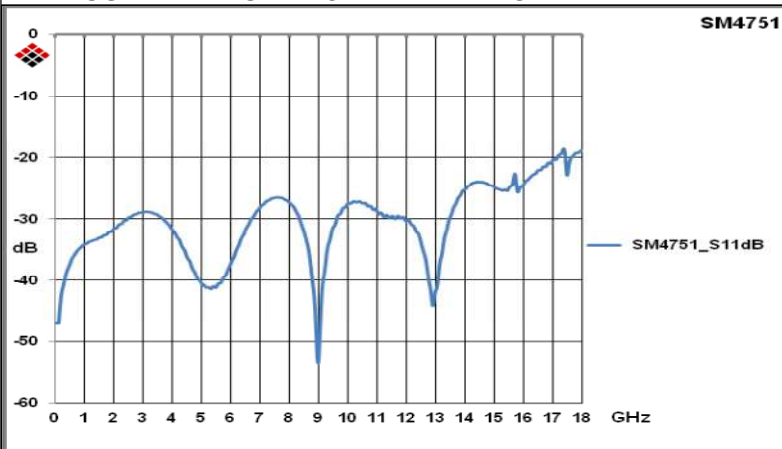
**ELECTRICAL:**  
 FREQUENCY: 0-18 GHZ  
 IMPEDANCE: 50 OHMS  
 VSWR: 1.2:1 MAX  
 VRMS: 250 V SEA LEVEL

**MECHANICAL:**  
 MATERIALS BODIES PASS. STAINLESS STEEL  
 CONTACTS: BeCu  
 CONTACT PLATING: Au MIL-G-45204  
 DIELECTRIC: PTFE  
 INTERFACE: MIL-STD-348A

ROHS COMPLIANT



MEASUREMENTS BELOW ARE TYPICAL



ALL DIMENSIONS IN inches(MM) Typical

<b>FAIRVIEW MICROWAVE INC.</b>			
ALLEN, TX 75013 WWW.FAIRVIEWMICROWAVE.COM			
TITLE ADAPTER SMA/F-TNC/F 2-HOLE FLANGE S STEEL			
SIZE <b>A</b>	CAGE CODE 3FKR5	DWG NO <b>SM4751</b>	REV <b>A</b>
SCALE		SHEET	