

BULKHEAD 7/16 F-F 6GHZ

SM3383

SPECIFICATIONS

ELECTRICAL

FREQUENCY: 0-6GHZ
 IMPEDANCE: 50 OHMS
 VSWR: 1.15 :1 MAX

ENVIRONMENTAL

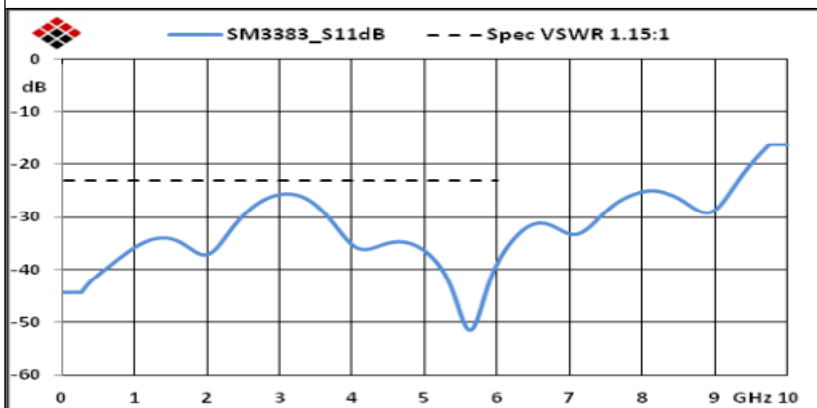
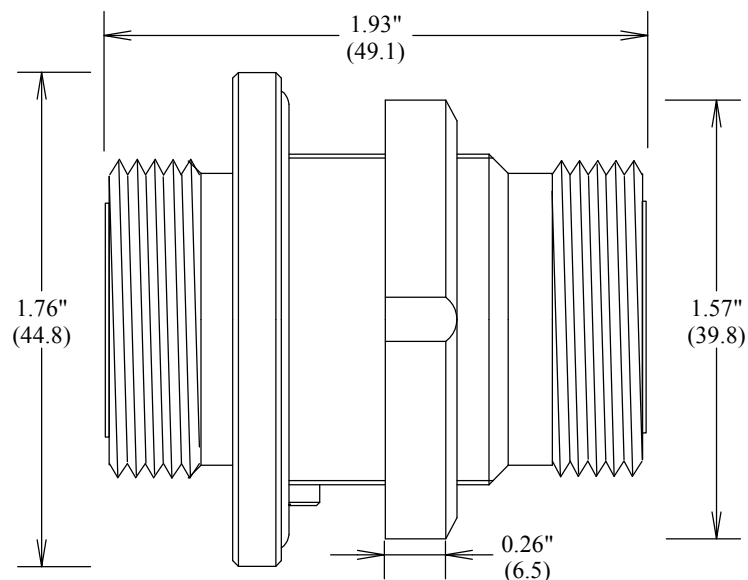
-40°C TO +120 °C

MATERIALS

BODY: SI PLATED BRASS
 CONTACTS: BeCu
 CENTER CONTACTS: SI PLATED BeCu
 INSULATOR: PTFE
 INTERFACE: MIL-STD-883

ROHS COMPLIANT

MEASUREMENTS BELOW ARE TYPICAL



ALL DIMENSIONS IN inches(MM) Typical

FAIRVIEW MICROWAVE INC.

ALLEN, TX 75013 WWW.FAIRVIEWMICROWAVE.COM

TITLE

BULKHEAD 7/16 F-F 6GHZ

SIZE

A

CAGE CODE

3FKR5

DWG NO

SM3383

REV

--

SCALE

SHEET