

2.92mm Female to 2.4mm Male Adapter

2.92mm female to 2.4mm male adapter part number SM3181 from Fairview Microwave is in-stock and ships same day. This Fairview 2.92mm to 2.4mm adapter has a female to male gender configuration. SM3181 2.92mm female to 2.4mm male adapter operates to 40 GHz. The 2.92mm connector mates mechanically with commercially available SMA and 3.5mm connectors. The 2.4mm connector mates mechanically with commercially available 1.85mm (V) connectors. The Fairview Microwave RF adapter provides excellent VSWR of 1.2:1 maximum.

RF adapters can be used to enable connections between two connector types that would otherwise not mate. Certain RF adapter configurations can also be used to protect connectors on expensive equipment where the number of connect and disconnect cycles is high. An RF, microwave, or millimeter wave adapter is connected to the equipment and the commonly changed connection is made with the adapter which can be easily replaced when it wears out after high usage; such adapters are referred to as connector savers. Fairview Microwave also offers bulkhead, panel mount, hermetically sealed, reverse polarity, and isolated ground adapter varieties to serve all of your RF, microwave and millimeter wave needs.

Electrical Specifications

| Description | Min | Typ | Max | Units |
|------------------------|-----|-----|-------|-------|
| Frequency Range | DC | | 40 | GHz |
| VSWR | | | 1.2:1 | |
| Operating Voltage (AC) | | | 150 | Vrms |
| DWV (AC) | | | 500 | Vrms |

Electrical Specification Notes:
 Values at 25°C, sea level.

Mechanical Specifications

| | |
|-------------|---------------------|
| Size | |
| Length | 0.95 in [24.13 mm] |
| Width | 0.32 in [8.13 mm] |
| Weight | 0.0125 lbs [5.67 g] |

| Description | Connector 1 | Connector 2 |
|---------------|-------------------------------------|-------------|
| Type | 2.92mm Female | 2.4mm Male |
| Polarity | Standard | Standard |
| Mating Cycles | 500 | 500 |
| Mating Torque | 8 to 10 in-lbs [0.90 to 1.13 Nm] | |



Configuration:

- 2.92mm Female Connector 1
- 2.4mm Male Connector 2
- 50 Ohms
- Straight Body Geometry

Features:

- VSWR of 1.2:1 max up to 40 GHz
- 1.27 µm minimum contact plating
- Gold Plated Beryllium Copper Contact

Applications:

- Enables Between Series Connections
- General Purpose Test

Fairview Microwave
 1130 Junction Dr. #100
 Allen, TX 75013
 Tel: 1-800-715-4396 / (972) 649-6678
 Fax: (972) 649-6689
www.fairviewmicrowave.com
sales@fairviewmicrowave.com

Material Specifications

| Description | Connector 1 | Connector 2 |
|------------------------|----------------------------|------------------|
| Type | 2.92mm Female | 2.4mm Male |
| Contact Material | Beryllium Copper | Beryllium Copper |
| Contact Plating | Gold | Gold |
| Contact Plating Spec. | 1.27 µm minimum | 1.27 µm minimum |
| Insulation Material | PEI | PEI |
| Outer Contact Material | Passivated Stainless Steel | |
| Body Material | Passivated Stainless Steel | |
| Coupling Nut Material | Passivated Stainless Steel | |

Environmental Specifications

Temperature

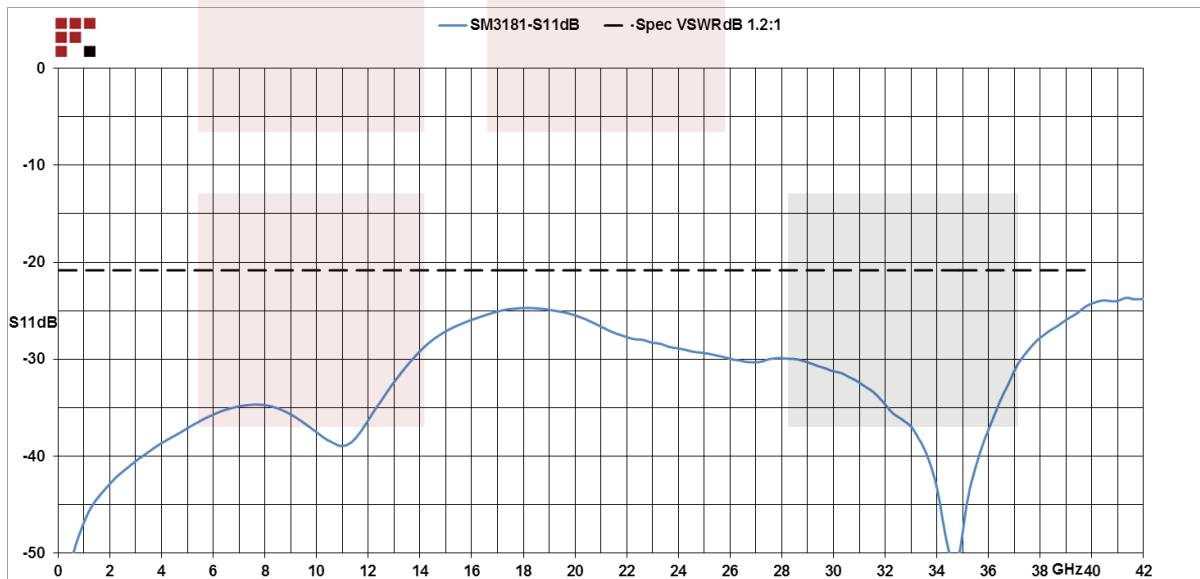
Operating Range -55 to +120 deg C

Compliance Certifications (see [product page](#) for current document)

Plotted and Other Data

Notes:

Typical Performance Data



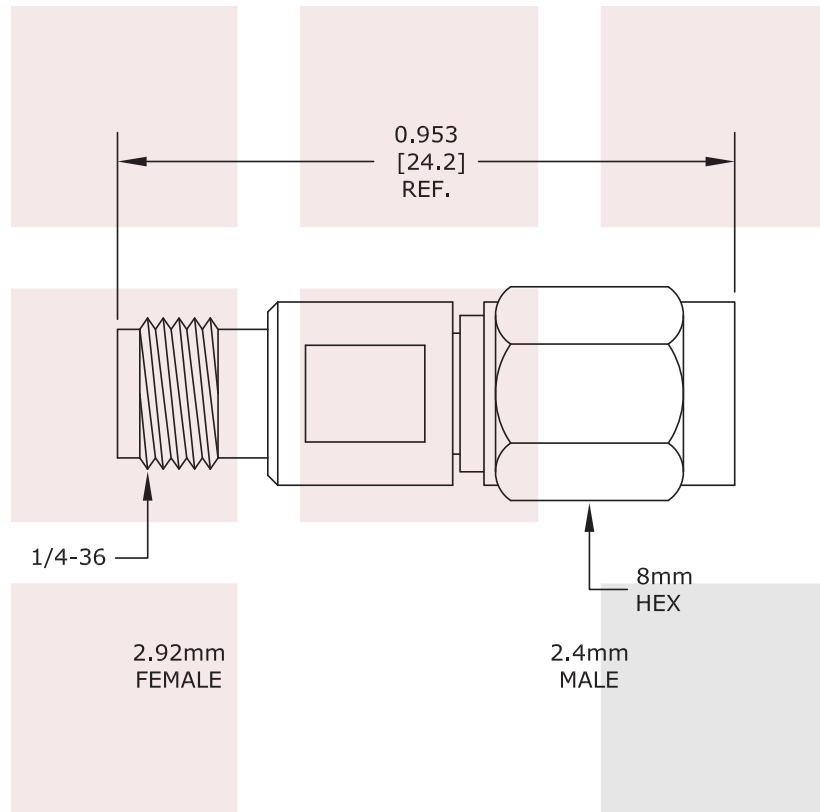
2.92mm Female to 2.4mm Male Adapter from Fairview Microwave is in-stock and available to ship same-day. All of our RF/microwave products are available off-the-shelf from our ISO 9001:2008 certified facilities in Allen, Texas. Fairview Microwave is RF on-demand.

For additional information on this product, please click the following link: [2.92mm Female to 2.4mm Male Adapter SM3181](#)

URL: <https://www.fairviewmicrowave.com/2.92mm-female-2.4mm-male-adapter-sm3181-p.aspx>

The information contained in this document is accurate to the best of our knowledge and representative of the part described herein. It may be necessary to make modifications to the part and/or the documentation of the part, in order to implement improvements. Fairview Microwave reserves the right to make such changes as required. Unless otherwise stated, all specifications are nominal. Fairview Microwave does not make any representation or warranty regarding the suitability of the part described herein for any particular purpose, and Fairview Microwave does not assume any liability arising out of the use of any part or documentation.





| | | | | | |
|---|--------|---|-------|--------------------|------------|
| FAIRVIEW MICROWAVE INC. ALLEN, TX 75013 WWW.FAIRVIEWMICROWAVE.COM | | NOTES: 1. UNLESS OTHERWISE SPECIFIED ALL DIMENSIONS ARE NOMINAL. 2. ALL SPECIFICATIONS ARE SUBJECT TO CHANGE WITHOUT NOTICE AT ANY TIME. 3. DIMENSIONS ARE IN INCHES [mm]. | | | |
| TITLE 2.92mm Female to 2.4mm Male Adapter | | DWG NO SM3181 | | CAGE CODE 3FKR5 | |
| CAD FILE | 120215 | SHEET | SCALE | N/A | SIZE A 150 |