



DIGITAL AIR™
LOAD RESISTORS

OPERATION MANUAL

©COPYRIGHT 2018 BY BIRD TECHNOLOGIES INC.
INSTRUCTION BOOK PART NUMBER 920-8579AS REV. L

THRULINE® IS A REGISTERED TRADEMARK AND
DIGITAL AIR™ IS A TRADEMARK OF BIRD ELECTRONIC CORPORATION

Safety Precautions

The following are general safety precautions that are not necessarily related to any specific part or procedure, and do not necessarily appear elsewhere in this publication. These precautions must be thoroughly understood and apply to all phases of operation and maintenance.

WARNING

Keep Away From Live Circuits

Operating Personnel must at all times observe general safety precautions. Do not replace components or make adjustments to the inside of the test equipment with the high voltage supply turned on. To avoid casualties, always remove power.

WARNING

Shock Hazard

Do not attempt to remove the RF transmission line while RF power is present.

WARNING

Do Not Service Or Adjust Alone

Under no circumstances should any person reach into an enclosure for the purpose of service or adjustment of equipment except in the presence of someone who is capable of rendering aid.

WARNING

Safety Earth Ground

An uninterruptible earth safety ground must be supplied from the main power source to test instruments. Grounding one conductor of a two conductor power cable is not sufficient protection. Serious injury or death can occur if this grounding is not properly supplied.

WARNING

Resuscitation

Personnel working with or near high voltages should be familiar with modern methods of resuscitation.

WARNING

Remove Power

Observe general safety precautions. Do not open the instrument with the power on.

Safety Symbols

WARNING

Warning notes call attention to a procedure, which if not correctly performed, could result in personal injury.

CAUTION

Caution notes call attention to a procedure, which if not correctly performed, could result in damage to the instrument.



This symbol indicates that a shock hazard exists if the precautions in the instruction manual are not followed.



The caution symbol appears on the equipment indicating there is important information in the instruction manual regarding that particular area.



This symbol indicates that the unit radiates heat and should not be touched while hot.

Note: *Calls attention to supplemental information.*

Warning Statements

The following safety warnings appear in the text where there is danger to operating and maintenance personnel, and are repeated here for emphasis.

WARNING

Turn off AC power and RF power before removing or replacing the access panel; the potential for electrical shock exists.

See pages 8 and 22.

WARNING

Ensure the power is turned off when attaching power cable or wire.

See pages 12 and 13,

WARNING

Never attempt to connect or disconnect an RF cable or line while power is on at the RF power source. Radiated RF energy is a potential health hazard.

See page 14.

WARNING

Exhausted air may exceed 95°C (203°F).

See page 16.

WARNING

Disconnect this unit from the RF power sources and the ac line before any disassembly. The potential for electrical shock exists.

See pages 19.

WARNING

Improper wiring could result in electric shock and death.

See page 22.

WARNING

High heat present inside unit! Let cool for at least 10 minutes before servicing or severe burns could result.

See page 22.

WARNING

Maintenance by other than trained service personnel could result in electric shock.

See page 22.

Caution Statements

The following equipment cautions appear in the text whenever the equipment is in danger of damage and are repeated here for emphasis.

CAUTION

Do not block airflow. Air is forced into the housing via fans on all four sides and exhausts through a grille on the lower rear of the unit. Blocking air inputs or exhaust could cause unit failure.

See page 7.

CAUTION

Connect interlock before RF operation.

See page 9.

CAUTION

Check the local electrical code for proper AC hookup prior to operation of the unit. Make sure the neutral or return hookup is only used for that purpose.

See page 12.

CAUTION

Do not operate without AC power to the load.

See page 16.

CAUTION

Do not operate above the rated capacity. See “Specifications” on page 25. if unsure of the rating the model load. The unit will handle a small percentage of overload for brief periods of time during transmitter tuning or adjustment. However, long periods of overload (> 10% of rated power for > 30 min) may damage the unit or cause the temperature interlock to open.

See page 17.

CAUTION

Applying more than the rated average RF power to the load may damage the load resistor.

See page 17.

CAUTION

Do not disconnect AC line power before turning off RF power to the load. Application of full RF power to the load while the fans are not running will cause the load to overheat and destroy the resistor elements.

See page 17.

CAUTION

Improper wiring could disable load.

See page 22.

CAUTION

Do not disable fans. Application of full RF power to the load while the air circulation is off will cause the load to overheat and destroy the resistor elements.

See page 22.

CAUTION

All replacement wiring must be 18 AWG, with insulation rated to 400° F (205° C). Use of other wiring could result in unit damage.

See page 22.

CAUTION

This circuit diagram for use by trained service personnel only. Improper use could disable load.

See page 22.

Safety Statements

USAGE

ANY USE OF THIS INSTRUMENT IN A MANNER NOT SPECIFIED BY THE MANUFACTURER MAY IMPAIR THE INSTRUMENT'S SAFETY PROTECTION.

USO

EL USO DE ESTE INSTRUMENTO DE MANERA NO ESPECIFICADA POR EL FABRICANTE, PUEDE ANULAR LA PROTECCIÓN DE SEGURIDAD DEL INSTRUMENTO.

BENUTZUNG

WIRD DAS GERÄT AUF ANDERE WEISE VERWENDET ALS VOM HERSTELLER BESCHRIEBEN, KANN DIE GERÄTESICHERHEIT BEEINTRÄCHTIGT WERDEN.

UTILISATION

TOUTE UTILISATION DE CET INSTRUMENT QUI N'EST PAS EXPLICITEMENT PRÉVUE PAR LE FABRICANT PEUT ENDOMMAGER LE DISPOSITIF DE PROTECTION DE L'INSTRUMENT.

IMPIEGO

QUALORA QUESTO STRUMENTO VENISSE UTILIZZATO IN MODO DIVERSO DA COME SPECIFICATO DAL PRODUTTORE LA PROZIONE DI SICUREZZA POTREBBE VENIRNE COMPROMESSA.

SERVICE

SERVICING INSTRUCTIONS ARE FOR USE BY SERVICE - TRAINED PERSONNEL ONLY. TO AVOID DANGEROUS ELECTRIC SHOCK, DO NOT PERFORM ANY SERVICING UNLESS QUALIFIED TO DO SO.

SERVICIO

LAS INSTRUCCIONES DE SERVICIO SON PARA USO EXCLUSIVO DEL PERSONAL DE SERVICIO CAPACITADO. PARA EVITAR EL PELIGRO DE DESCARGAS ELÉCTRICAS, NO REALICE NINGÚN SERVICIO A MENOS QUE ESTÉ CAPACITADO PARA HACERLO.

WARTUNG

ANWEISUNGEN FÜR DIE WARTUNG DES GERÄTES GELTEN NUR FÜR GESCHULTES FACHPERSONAL. ZUR VERMEIDUNG GEFÄHRLICHE, ELEKTRISCHE SCHOCKS, SIND WARTUNGSARBEITEN AUSSCHLIEßLICH VON QUALIFIZIERTEM SERVICEPERSONAL DURCHZUFÜHREN.

ENTRETIEN

L'EMPLOI DES INSTRUCTIONS D'ENTRETIEN DOIT ÊTRE RÉSERVÉ AU PERSONNEL FORMÉ AUX OPÉRATIONS D'ENTRETIEN. POUR PRÉVENIR UN CHOC ÉLECTRIQUE DANGEREUX, NE PAS EFFECTUER D'ENTRETIEN SI L'ON N'A PAS ÉTÉ QUALIFIÉ POUR CE FAIRE.

ASSISTENZA TECNICA

LE ISTRUZIONI RELATIVE ALL'ASSISTENZA SONO PREVISTE ESCLUSIVAMENTE PER IL PERSONALE OPPORTUNAMENTE ADDESTRATO. PER EVITARE PERICOLOSE SCOSSE ELETTRICHE NON EFFETTUARE ALCUNA RIPARAZIONE A MENO CHE QUALIFICATI A FARLA.

CONNECT INTERLOCK TO TRANSMITTER BEFORE OPERATING.

BRANCHER LE VERROUILLAGE À L'ÉMETTEUR AVANT EMPLOI.

CONECTE EL INTERBLOQUEO AL TRANSMISOR ANTES DE LA OPERACION.

VOR INBETRIEBNAHME VERRIEGELUNG AM SENDER ANSCHLIESSEN.

PRIMA DI METTERE IN FUNZIONE L'APPARECCHIO, COLLEGARE IL DISPOSITIVO DI BLOCCO AL TRASMETTITORE.

About This Manual

This instruction book covers Bird Digital Air Load Resistor Models:

DA5F15	DA5U15	DA5UR15
DA5F30	DA5U30	DA5UR30
DA10F15	DA10U15	DA10UR15
DA10F30	DA10U30	DA10UR30
DA15F15	DA15U15	DA15UR15
DA15F30	DA15U30	DA15UR30
DA25F15	DA25U15	
DA25F30	DA25U30	
	DA25-4U15	
	DA25-4U30	
DA40F15	DA40-5U15	
DA40F30	DA40-5U30	
DA10V1F15	DA10V1U15	DA10V1UR15
DA10V1F30	DA10V1U30	DA10V1UR30
DA10V3F15	DA10V3U15	DA10V3UR15
DA10V3F30	DA10V3U30	DA10V3UR30
DA25V3F15	DA25V3U15	DA25V3UR15
DA25V3F30	DA25V3U30	DA25V3UR30
	DA25V4U15	
	DA25V4U30	

Changes to this Manual

We have made every effort to ensure this manual is accurate. If any errors are discovered, or if there are any suggestions for improving this manual, please send comments to our Solon, Ohio factory. This manual may be periodically updated. When inquiring about updates to this manual refer to the part number and revision on the title page.

The most recent revision of this manual can be found on Bird's website:
<http://www.birdrf.com>.

Chapter Layout

Introduction — Describes the features of the Digital Air Load, lists equipment supplied and optional equipment, and provides power-up instructions.

Installation — Describes how to set up the loads, reviews features of the Digital Air Load that help in initial use, and provides power-up instructions.

Operating Instructions — Describes basic use and various modes of operation.

Maintenance — Lists routine maintenance tasks as well as troubleshooting for common problems.

Theory of Operation — Describes how the Digital Air loads work.

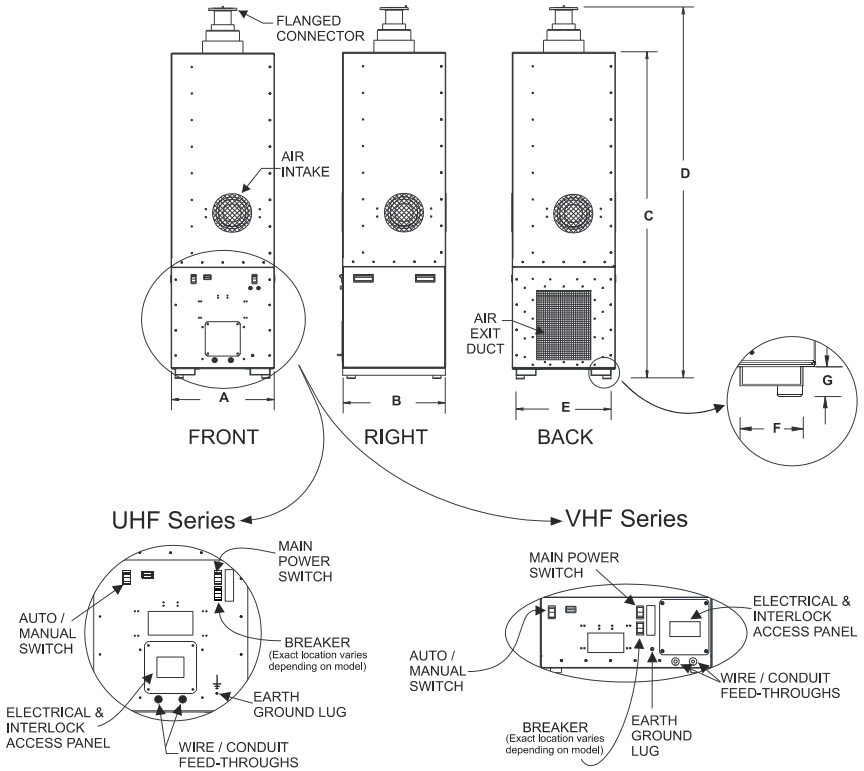
Specifications — Lists specifications and parts information.

TABLE OF CONTENTS

Safety Precautions	i
Safety Symbols	ii
Warning Statements	ii
Caution Statements	iii
Safety Statements	vi
About This Manual	ix
Changes to this Manual	ix
Chapter Layout	x
Chapter 1 Introduction	1
Description	2
Chapter 2 Theory of Operation	4
RF Section Description	4
Heat Removal	4
Fan Activation	4
Thermal Interlock	5
Line Power Interlock	5
Chapter 3 Installation	6
Unpacking and Inspection	6
Unit Placement	6
Ducting Placement	7
Access Panel	8
Interlock Connection	9
Six Terminal Interlock with Power Relay	9
Six Terminal Interlock without Power Relay	11
Two Terminal Interlock	11
AC Power Hookup	12
AC Power Cable	12
AC Power Cable Strain Relief	13
AC Hard Wiring	13
Earth Grounding Lug	13
Connecting RF Power	14

Swivel Flanged Coupling	14
Unflanged Coupling	14
4-1/16" Coupling	15
Chapter 4 Operating Instructions	16
Automatic Mode	16
Manual Mode	16
Load Operation	16
Interlock Operation	17
Manual Shut Down	17
Automatic Shut Down	18
Measurement and Monitoring of RF Power	18
Chapter 5 Maintenance	19
Troubleshooting	19
Cleaning and Inspection	20
Preparation for Storage or Shipment	20
Storage	20
Shipment	20
Customer Service	21
Circuit Diagram	22
Specifications	25
Appendix 1 Difference Data Sheet 29	
Specifications for 12.5 kW Digital Air Load	29
Limited Warranty	30

Figure 1 Digital Air Outline Drawing



Series	Dim. A	Dim. B	Dim. C	Dim. D	Dim. E	Dim. F	Dim. G
DA10V	23.5" (597 mm)	23.5" (597 mm)	49.5" (1257 mm)	59" (1499 mm)	N/A†	N/A†	N/A†
DA25V	27.0" (686 mm)	27.0" (686 mm)	50.8" (1289 mm)	61.0" (1549 mm)	N/A†	N/A†	N/A†
DA5	17.0" (432 mm)	17.0" (432 mm)	55.5" (1410 mm)	64.0" (1626 mm)	N/A†	N/A†	N/A†
DA10	19.5" (495 mm)	19.5" (495 mm)	60.0" (1524 mm)	68.5" (1740 mm)	N/A†	N/A†	N/A†
DA15	25.0" (635 mm)	25.0" (635 mm)	68.0" (1727 mm)	76.5" (1943 mm)	24.5" (622 mm)	6.0" (152 mm)	2.0" (50.8 mm)
DA25	27.0" (686 mm)	27.0" (686 mm)	68.0" (1727 mm)	76.5" (1943 mm)	24.5" (622 mm)	6.0" (152 mm)	2.0" (50.8 mm)
DA40	27.5" (701 mm)	27.5" (701 mm)	78.8" (1999 mm)	84.0" (2134 mm)	24.5" (622 mm)	6.0" (152 mm)	2.0" (50.8 mm)

† Forklift openings are not provided for these models.

Bird Digital Air Load Resistors are air cooled and capable of dissipating RF line power up to 40 kW (depending on the model). Virtually maintenance free and simple to operate, this unit should provide years of trouble free operation.

Description

The unit is supported by four bumper feet. The RF input connector is located on the top of the unit. Fans on all four sides allow for forced air cooling of the resistors. The transmitter interlock is located on the front panel. The model number is printed on a label on the lower left of the unit.

The unit is not intended for exposed outdoor use, or in areas of condensing humidity. Ensure adequate space is available for air circulation.

The Digital Air Load Resistors are offered in a variety of forms differing in their power ratings, ac input power requirements, frequency ranges, and connector types (see [Figure 2 on page 3](#) for model numbers).

***Example** - A Model DA10F15 is a UHF 10 kW load with a 3-1/8" flanged connector that requires a 115 V 50/60 Hz power source.*

Figure 2 Digital Air Load Models

Power	Connector	Freq. Range	Model Number							
			Flanged, 115 VAC	Unflanged, Flush 115 VAC	Unflanged, Recessed 115 VAC	Flanged, 230 VAC	Unflanged, Flush 230 VAC	Unflanged, Recessed 230 VAC		
5 kW	3-1/8" EIA	470 - 890 MHz	DA5F15	DA5U15	DA5UR15	DA5F30	DA5U30	DA5UR30		
10 kW	3-1/8" EIA	470 - 890 MHz	DA10F15	DA10U15	DA10UR15	DA10F30	DA10U30	DA10UR30		
15 kW	3-1/8" EIA	470 - 890 MHz	DA15F15	DA15U15	DA15UR15	DA15F30	DA15U30	DA15UR30		
25 kW	4-1/16" Myat	470 - 890 MHz	DA25F15	DA25U15		DA25F30	DA25U30			
25 kW	4-1/2" IEC	470 - 890 MHz		DA25-4U15			DA25-4U30			
40 kW	4-7/8" IEC	470 - 890 MHz		DA40-5U15			DA40-5U30			
40 kW	6-1/8" EIA	470 - 890 MHz	DA40F15			DA40F30				
10 kW	1-5/8" EIA	DC - 240 MHz	DA10V1F15	DA10V1U15	DA10V1UR15	DA10V1F30	DA10V1U30	DA10V1UR30		
10 kW	3-1/8" EIA	DC - 240 MHz	DA10V3F15	DA10V3U15	DA10V3UR15	DA10V3F30	DA10V3U30	DA10V3UR30		
25 kW	3-1/8" EIA	DC - 240 MHz	DA25V3F15	DA25V3U15	DA25V3UR15	DA25V3F30	DA25V3U30	DA25V3UR30		
25 kW	4-1/2" IEC	DC - 240 MHz		DA25V4U15			DA25V4U30			

The Digital Air Series Loads are high powered, air-cooled, RF loads used for termination of coaxial transmission lines. The RF energy, when converted into heat, is transmitted to the surrounding area by a forced air system.

RF Section Description

The RF section of a Digital Air load is a broadband tuned device composed of tubular ceramic resistors. These are carefully positioned to produce a very uniform and almost reflectionless line termination over the stated frequencies of the load resistor.

Heat Removal

When in operation, air is forced into all four sides of the unit and directed over the RF resistor network. The heat, developed in the resistors from dissipation of RF energy, is carried off by the flow of air over the resistors surface. The hot air is then exhausted through the grille in the back of the unit.

Fan Activation

The fans on the Digital Air loads are triggered with a pair of normally open snap disk thermostats. The top switch is located in the RF chamber, while the bottom switch is located in the air exit duct. In steady state operation, a fan cycle happens as follows:

1. Rising air temperature in the RF chamber closes the top thermostat, turning the fans on.
2. The hot air is forced into the exit duct by the fans, heating the bottom thermostat until it closes.
3. As the cool air is blown into the RF chamber, the top switch reopens. Since the bottom switch is closed, the fans stay on.
4. When RF power is removed, cool air reaches the exit duct, the bottom switch opens and the fans turn off.

For power levels substantially below the unit's power rating, the air in the exit duct may not heat up sufficiently to close the bottom switch. As a result, the fans cycle on and off more often. For these power levels, it is recommended that the unit be operated in manual mode.

Thermal Interlock

All Digital Air loads are supplied with a passive, normally closed, snap disk overtemperature thermoswitch. Normally closed, the switch opens above the maximum safe load temperature, turning off the transmitter power. Because dissipation of the heat generated by the RF power depends upon forced air cooling, if airflow over the resistor array should stop or be restricted the temperature in the RF chamber can rise beyond a safe limit. The heat sensor will sense the change and actuate the interlock switch to turn off the transmitter. The interlock system will not permit re-operation of the transmitter until a lower, safe temperature in the RF housing is reached.

Line Power Interlock

Digital Air loads are equipped with a line power failure interlock to provide protection against the loss of AC power. The switch is a normally closed relay. The switch opens if no line power is supplied to the load, the breaker on the load is tripped, or the power switch on the load has been turned off. When power is restored, the interlock will reset.

This chapter provides information for on-site requirements, unpacking, inspection, and preparing the Digital Air load for use.

Unpacking and Inspection

1. Carefully inspect shipping container for signs of damage.
 - If the shipping container is damaged, do not unpack the unit. Immediately notify the shipping carrier and Bird Technologies.
 - If the shipping container is not damaged, unpack the unit. Save shipping materials for repackaging.
2. Inspect unit for visual signs of damage.

Note: *If there is damage, immediately notify the shipping carrier and Bird Technologies.*

Unit Placement

Refer to the guidelines in this section when placing the load. Handles are provided for all models. Forklift openings are provided for larger models (see [Figure 1](#)). Placement of these models without the use of a forklift is not recommended.

- Do not use in exposed outdoor locations or in areas of condensing humidity.
- Surrounding air must be free of contaminants or particles that could be drawn into the air intakes.
- Digital Air loads have no intermediate dielectric fluid or coolant. No water hookups are required.
- Digital Air loads are designed to be used upright.

Note: *Consult the factory for other intended orientations.*

Make sure the following open air requirements are met:

CAUTION

Do not block airflow. Air is forced into the housing via fans on all four sides and exhausts through a grille on the lower rear of the unit. Blocking air inputs or exhaust could cause unit failure.

- Do not place the unit in a small room or closet without proper ventilation.

Note: *In restricted areas the heat given off by the unit may increase the ambient temperature to an unacceptable level.*

- Fan intake openings should be at least 4 inches from walls and obstacles.

Note: *Intake air should not exceed maximum ambient temperatures of 45°C.*

- The air exit duct should be at least 24 inches from walls and obstacles.
- Do not place temperature sensitive equipment near the air exit, or equipment that will be affected by a rise in ambient air temperature.

Note: *Exit air temperatures can reach in excess of 95°C depending on environmental conditions.*

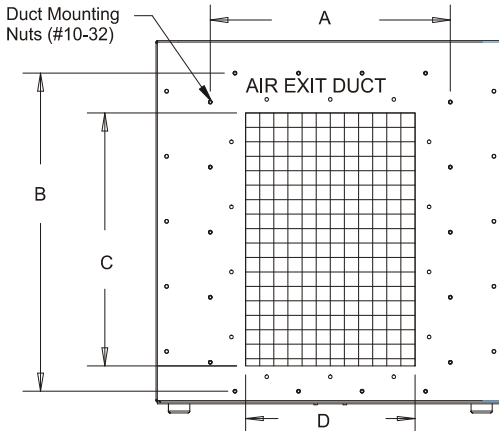
Ducting Placement

Ducting the unit exhaust is recommended for larger models. Mounting nuts are provided on the rear of the unit for ducting. Refer to [Figure 3](#) for the location of the mounting nuts.

Should an external duct be desired, make sure the following requirements are met:

- Maximum 0.2" H₂O pressure rise at 45°C ambient.
- All ducts should be at least the area of the air exit duct on the unit. Refer to [Figure 3](#).
- Ninety degree elbows going up to the ceiling may begin immediately at the load exit. However, they should have a minimum 4 inch radius, >15 inches preferred and should transition to a larger area.
- Ninety degree elbows into the floor or at right angles to the floor should start a minimum 5 inches from the load exit and should have a minimum 4 inch radius, >15 inches preferred and should transition to a larger area.

Figure 3 Duct Mounting Location



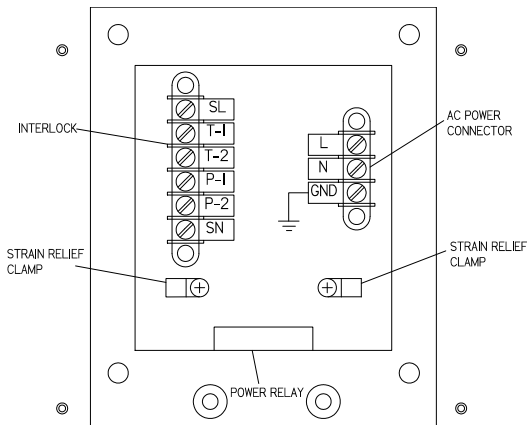
Access Panel

WARNING

Turn off AC power and RF power before removing or replacing the access panel; the potential for electrical shock exists.

Remove the access panel on the front of the load to connect interlocks, attach AC power cables, or hard-wire the unit to AC power. For the location of the access panel see the outline drawing (Figure 1). See Figure 4 for the contents of the power entry box behind the access panel.

Figure 4 Power Entry Box



Interlock Connection

CAUTION
Connect interlock before RF operation.

Units are equipped with one of three interlock systems. Refer to the instructions on the following pages appropriate for individual interlocks. When connecting terminals to an external interlock, refer to the transmitter instructions.

Six Terminal Interlock with Power Relay

This interlock has six terminals on the load's interlock connection as well as an external relay. T-1 and T-2 are the terminals for a thermal overload switch which trips if the load's operating temperature is exceeded. P-1 and P-2 are the terminals for a line power switch which trips if line power fails. Both switches are normally closed, SPST with a rating of 10 A @ 120 VAC and 5 A @ 250 VAC.

Note: *Line power interlock terminals will not function without the line power relay installed.*

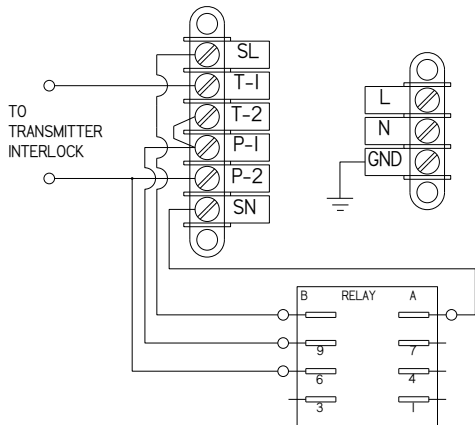
To connect both interlocks to a single interlock circuit, wire the interlock as follows (see [Figure 5 on page 9](#)):

1. Connect terminals T-2 and P-1.

Note: *T-2 and P-1 are connected when shipped from the factory.*

2. Connect terminal SL to relay pin B. Connect relay pin A to the SN terminal.
3. Connect terminal P-1 to relay pin 9. Connect terminal P-2 to relay pin 6.
4. Connect terminals T-1 and P-2 to the transmitter interlock circuit.

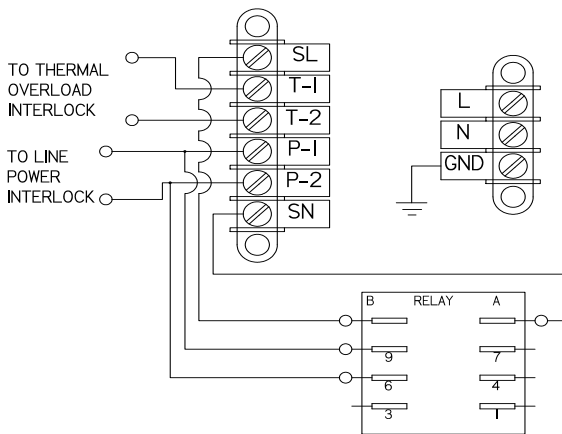
Figure 5 *Setup for Single External Interlock*



For separate thermal and line power interlocks, set the interlock as follows (see [Figure 6](#)):

1. Remove the connector between T-2 and P-1.
2. Connect terminals T-1 and T-2 to the thermal overload circuit on the transmitter.
3. Connect terminal SL to relay pin B. Connect relay pin A to the SN terminal.
4. Connect terminal P-1 to relay pin 9. Connect terminal P-2 to relay pin 6.
5. Connect terminals P-1 and P-2 the line power interlock circuit on the transmitter.

Figure 6 Setup for Separate Thermal and Line Power Interlocks

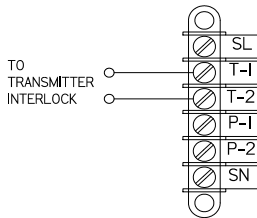


Six Terminal Interlock without Power Relay

This interlock has six terminals on the load's interlock connection, see [Figure 7](#). T-1 and T-2 are the terminals for a thermal overload switch which trips if the load's operating temperature is exceeded. The switch is normally closed, SPST with a rating of 10 A @ 120 VAC and 5 A @ 250 VAC. Terminals SL, P-1, P-2, and SN are not used.

Note: Line power interlock terminals will not function without the line power relay installed. See "[Six Terminal Interlock with Power Relay](#)" on page 9 for relay instructions.

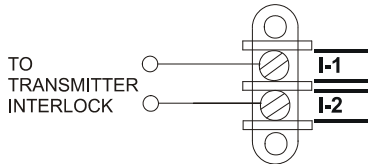
Figure 7 Six Terminal Interlock without Power Relay



Two Terminal Interlock

This interlock has two terminals on the load's interlock connection, see [Figure 8](#). I-1 and I-2 are the terminals for a thermal overload switch which trips if the load's operating temperature is exceeded. The switch is normally closed, SPST with a rating of 10 A @ 120 VAC and 5 A @ 250 VAC.

Figure 8 Interlock Two Terminal



AC Power Hookup

CAUTION

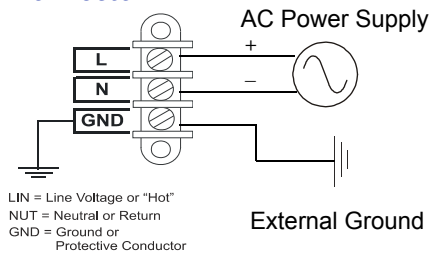
Check the local electrical code for proper AC hookup prior to operation of the unit. Make sure the neutral or return hookup is only used for that purpose.

The AC power supply required for this unit is 115/230 V @ 50/60 Hz, 1 Φ depending on the model number. See "[AC Power Required](#)" on page 26 for current requirements. AC power is supplied through a 3-wire power cable or by hard wiring the unit with standard 1/2 inch conduit.

AC Power Wire Size Requirements

For DA5 through DA25 and 230 VAC DA40 loads use 18 GA. Copper stranded insulated wire rated for 1000 VAC and 80°C. For the 115VAC DA40 loads use 14 GA. Copper stranded insulated wire rated for 1000 VAC and 80°C.

Figure 9 AC Power Connector



AC Power Cable

The AC power cable can be threaded through the holes in the access panel and connected to the terminals. Follow the instructions below to connect the cable:

WARNING

Ensure the power is turned off when attaching power cable or wire.

1. Thread the AC power cable through the grommet, lug end first.
2. Thread the AC power cable through the strain relief clamp. Secure the clamp and cable.
3. Connect the AC power cable to the terminals. See [Figure 9](#).
4. Close and secure the access panel.

Note: The third terminal, labeled "GND", is the ground. For proper protection, if a 3-wire type plug and outlet are not used, connect the third terminal to a satisfactory ground at the supply end.

5. Plug the AC power cable into a suitable outlet.

AC Power Cable Strain Relief

When using AC power, use a suitable strain relief complying with:

- Do not clamp with a screw that bears directly on the cord.
- Do not create knots in the cord.
- Do not push the cord into the equipment to an extent which could cause a hazardous condition.
- Always use compression bushings designed and approved for clamping all types and sizes of mains supply cords.

Note: *They must at least have a pull strength of 100N, twist of 0.35 N-m, and either be suitable for connection to the terminals or has been designed to terminate a mains supply cord.*

- Ensure that the strain relief does not cause a hazard when the cord needs to be replaced.

AC Hard Wiring

<p style="text-align: center;">WARNING Ensure the power is turned off when attaching power cable or wire.</p>
--

1. Remove the grommet from the access panel.
2. Plumb the unit using standard 1/2" conduit.
3. Thread the wires through the conduit.
Note: *Make sure the ground line is copper.*
4. Connect the AC power wires to the terminals. See [Figure 9](#).
5. Close and secure the access panel.
6. Wire the unit to a suitable AC supply.
7. Provide a means for power disconnection at the AC source.

Earth Grounding Lug

The earth ground is a ¼-20 stud. Use at least a 14 GA, shielded or unshielded conductor for earth ground termination. Use a suitable ring lug when securing the earth ground conductor to the unit.

Connecting RF Power

WARNING

Never attempt to connect or disconnect an RF cable or line while power is on at the RF power source. Radiated RF energy is a potential health hazard.

After installation of the load, the coaxial RF transmission line may be attached using standard coaxial transmission line couplers.

Swivel Flanged Coupling

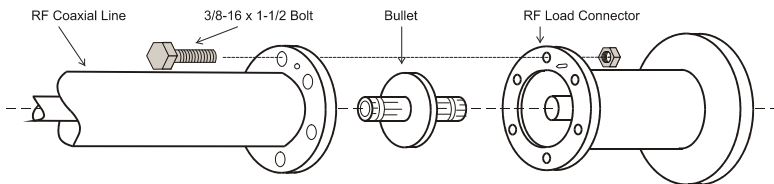
To couple the swivel flange with a flanged RF transmission line, use an appropriate coupling kit. Refer to [Figure 10](#) while following the instructions below.

1. Insert the center bullet and push it in until it is fully seated.
2. Connect the coaxial input in a straight line and push carefully on the center conductor to close.

Note: *The swivel flange on the load makes connection independent of the orientation of the fixed flange on the coaxial input outer conductor.*

3. Insert the bolt sets and tighten evenly all around to transmission line manufacturer's recommended torque. Use all of the bolts.

Figure 10 Swivel Flanged Coupling

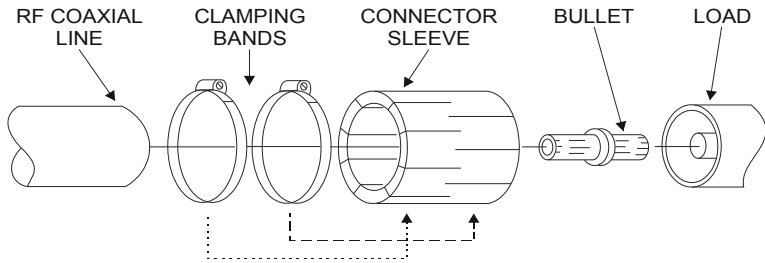


Unflanged Coupling

To couple the unflanged connector with an unflanged RF line, use an appropriate coupling kit. Refer to [Figure 11 on page 15](#) while following the instructions below.

1. Insert the center bullet and bottom it on the midpoint nibs.
2. Position the outer sleeve, with clamping bands, over the input connector.
3. Set the transmission line snugly against the coupling stops.
4. Position the clamping bands evenly about 3/4" from the ends of the sleeve.
5. Tighten the clamping bands.

Figure 11 Unflanged Coupling



4-1/16" Coupling

The RF connector on Bird 4-1/16 inch loads is built to the Myat Standard. To couple a 4-1/16 inch Myat Standard to a Dielectric Standard transmission line a special bullet (Myat P/N 401-081) must be used. The inner conductor interface is not compatible between Myat and Dielectric. The Myat inner conductor inside diameter is 1.631 inches and the inner conductor setback from the outer conductor flange face is 1.375 inches. If help is needed purchasing a Myat bullet, contact Myat or a Bird service representative.

The Digital Air Series load has two controls, the ON/OFF switch and the Manual/Automatic switch. When properly installed, the only requirements to use the unit as a standby reject load are for the ON/OFF switch to be in the ON position, and the Manual/Automatic switch to be in the Automatic position.

Note: *AC mains breaker must be set in the ON position.*

Before operating the unit, make sure the fans are running. Also, confirm that the inlet air flow is unrestricted and the exhaust is properly vented. The unit is now ready to accept RF power. Once the unit has been set up, there is no need for the presence of an operator.

WARNING

Exhausted air may exceed 95°C (203°F).

Automatic Mode

When the load is in automatic mode, the fans will turn on only when the load requires forced air to keep the temperature in the RF chamber below a safe limit. The fans may cycle on and off during warm-up. This cycling is normal and is dependent upon the applied input power.

when the Manual/Automatic switch is in the Automatic position the top part of the switch will light up (clear lens).

Manual Mode

When the load is in manual mode, the fans run continuously. This mode is recommended for power levels substantially below the unit's power rating to prevent excessive fan cycling.

when the Manual/Automatic switch is in the Manual position the bottom portion of the switch will light up (green lens).

Load Operation

1. Turn on the AC power.

CAUTION

Do not operate without AC power to the load.

2. Verify all four fans are operating.
3. Select Automatic or Manual fan control.

4. Turn the interlock supply on at the transmitter.

CAUTION

Applying more than the rated average RF power to the load may damage the load resistors.

5. Apply RF power to the load.

CAUTION

Do not operate above the rated capacity. See ["Specifications" on page 25](#) if unsure of the rating the model load. The unit will handle a small percentage of overload for brief periods of time during transmitter tuning or adjustment. However, long periods of overload (> 10% of rated power for > 30 min.) may damage the unit or cause the temperature interlock to open.

Interlock Operation

The overtemperature interlock is set for proper operation at the maximum rated ambient temperature of 45°C (113°F). The normally closed switch opens at 86°C ± 5°C (186.8°F ± 9°F) and closes at 65°C ± 3°C (149°F ± 5.4°F). This interlock is not dependent on AC line power.

Note: *The power interlock is set for proper operation when the load is connected to AC power, the power switch is on, and the circuit breakers are not tripped.*

Manual Shut Down

When operation of the load has been completed, follow these steps for shut down.

CAUTION

Do not disconnect AC line power before turning off RF power to the load. Application of full RF power to the load while the fans are unpowered will cause the load to overheat and destroy the resistor elements.

1. Turn the RF power to the load off.
2. Wait about 10 minutes to allow the air circulation to cool the resistive elements inside the load to ambient temperature.

Note: *This cooling period will prevent unnecessary heat stress on the resistors.*

3. Turn off the AC power.
4. Disconnect the RF line.

Automatic Shut Down

When operations are completed, turn the RF power to the load off. The load fans will stay on until the load is cool, then they will shut off.

Measurement and Monitoring of RF Power

The Digital Air Series load may be used in conjunction with any of the Bird rigid coaxial line power meters. When fitted with the appropriate line section and wattmeter, the combination is a useful tool for tuning and adjusting a transmitter as well as monitoring RF power directly in watts.

Broadcasters involved in the transmission of high definition television, digital audio broadcast, or other signals with complex modulation should use Bird Broadcast Power Monitors (BPM) for the measurement of true average power in these systems. BPMs are also required in applications where multiple carriers are present in the transmission system simultaneously, as in the case of post combiner power measurements. Conventional broadcast power meters will produce erroneous readings in the presence of complex modulation due to the high peak to average power ratio of these signals. Contact a Bird sales representative for more information.

Troubleshooting

WARNING
 Disconnect this unit from the RF power sources and the AC line before any disassembly. The potential for electrical shock exists.

Note: *The UHF models of this load are designed to have a 50 Ohm characteristic impedance across the frequency range of 470 to 890 MHz. but they will not exhibit 50 Ohms when tested using an Ohm meter. Use of an RF test, like VSWR, will better determine the condition of the load.*

For corrections requiring repair or replacement of components see the appropriate section. Only those functions within the scope of normal maintenance are listed. This manual cannot list all malfunctions that may occur, or corrective actions. If a malfunction is not listed or is not corrected by listed corrective actions, notify a qualified service center.

Problem	Possible Cause	Possible Correction
Overtemperature interlock is active.	Overheating	Make sure air input and output openings are not restricted. See "Unit Placement" on page 6.
	One or more fans failing.	Reduce RF power. Make sure AC power is properly connected and turned on. See "AC Power Hookup" on page 12. Contact the Bird Service Group for replacement. See "Customer Service" on page 21.
AC power interlock is active, or no "ON" indicator lit.	No AC power	Make sure AC power is properly connected and turned on. See "AC Power Hookup" on page 12.
	ON/OFF switch is off.	Turn the switch on.
	Open circuit breaker.	Reset the circuit breaker.
High VSWR	Poor flange connection.	Make sure the flange connection is hooked up properly. See "Interlock Connection" on page 9.
	One or more resistors failing.	Contact the Bird Service Group for replacement. See "Customer Service" on page 21.

Cleaning and Inspection

A main factor in effective preventive maintenance is cleanliness. For optimum performance and service life, the load must be kept in a clean, dust-free condition.

The following steps can be used to maintain cleanliness of the unit.

- The outside surface of the load should be wiped free of dust and dirt when necessary.
- Check the condition of the RF coaxial connection occasionally.
- If required, disconnect the unit from the transmission line and clean the RF connector parts, both metallic and insulator surfaces.

Note: *When cleaning these parts and all other electrical parts, use a dry cleaning solvent that leaves no residue.*

Preparation for Storage or Shipment

Storage

Note: *There is no special preparation for the unit.*

1. Cover the equipment to keep out dust and dirt.
2. Store the unit in a dust-free, dry environment with an ambient temperature range of -40°C to 45°C (-40°F to +113°F) and the relative humidity should remain low.

Shipment

1. Secure all loose parts such as the swivel flange.
2. Pack the unit securely in a sturdy wooden box or equivalent.

Note: *If possible, keep the original shipping carton for reshipment.*

3. Pad the container with sufficient padding to avoid shock damage.
4. Seal the container securely.

Customer Service

Any maintenance or service procedure beyond the scope of those in this chapter should be referred to a qualified service center.

If the unit needs to be returned for any reason, request an Return Material Authorization (RMA) through the Bird Technologies website. All instruments returned must be shipped prepaid and to the attention of the RMA number.

Bird Service Center

30303 Aurora Road
Cleveland (Solon), Ohio 44139-2794
Fax: (440) 248-5426
E-mail: bsc@birdrf.com

For the location of the Sales Office nearest you, visit our Web site at:

<http://www.birdrf.com>

Circuit Diagram

The following circuit diagram identifies the function of the internal wiring of the load. This information is for use by trained service personnel only.

WARNING

Improper wiring could result in electric shock and death.

WARNING

Turn off AC power and RF power before removing or replacing the access panel, the potential for electrical shock exists.

WARNING

High heat present inside unit! Let cool for at least 10 minutes before servicing or severe burns could result.

WARNING

Maintenance by other than trained service personnel could result in electric shock.

CAUTION

Improper wiring could disable load.

CAUTION

Do not disable fans. Application of full RF power to the load while the air circulation is off will cause the load to overheat and destroy the resistor elements.

CAUTION

All replacement wiring must be 18 AWG, with insulation rated to 400° F (205° C). Use of other wiring could result in unit damage.

CAUTION

This circuit diagram for use by trained service personnel only. Improper use could disable load.

Figure 12 Digital Air Load Circuit Diagram Sheet 1

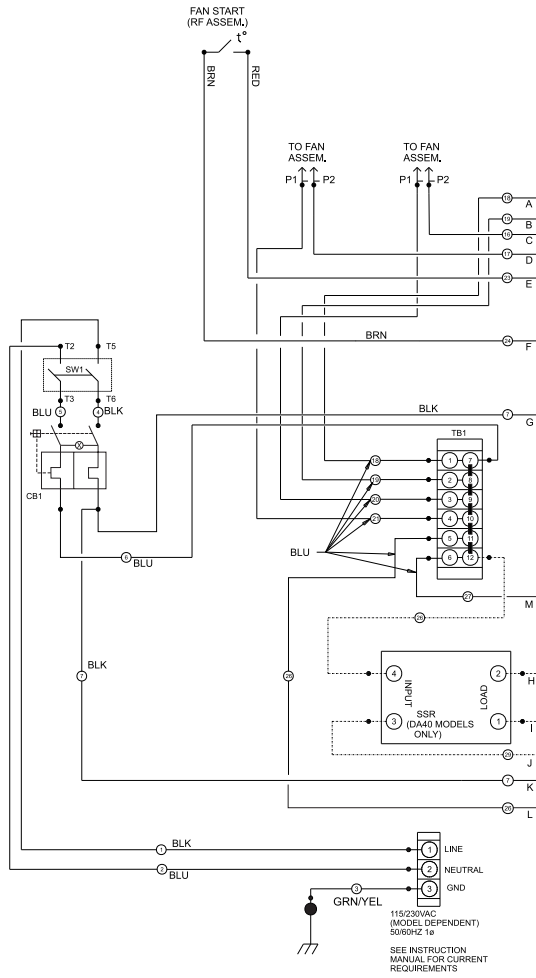
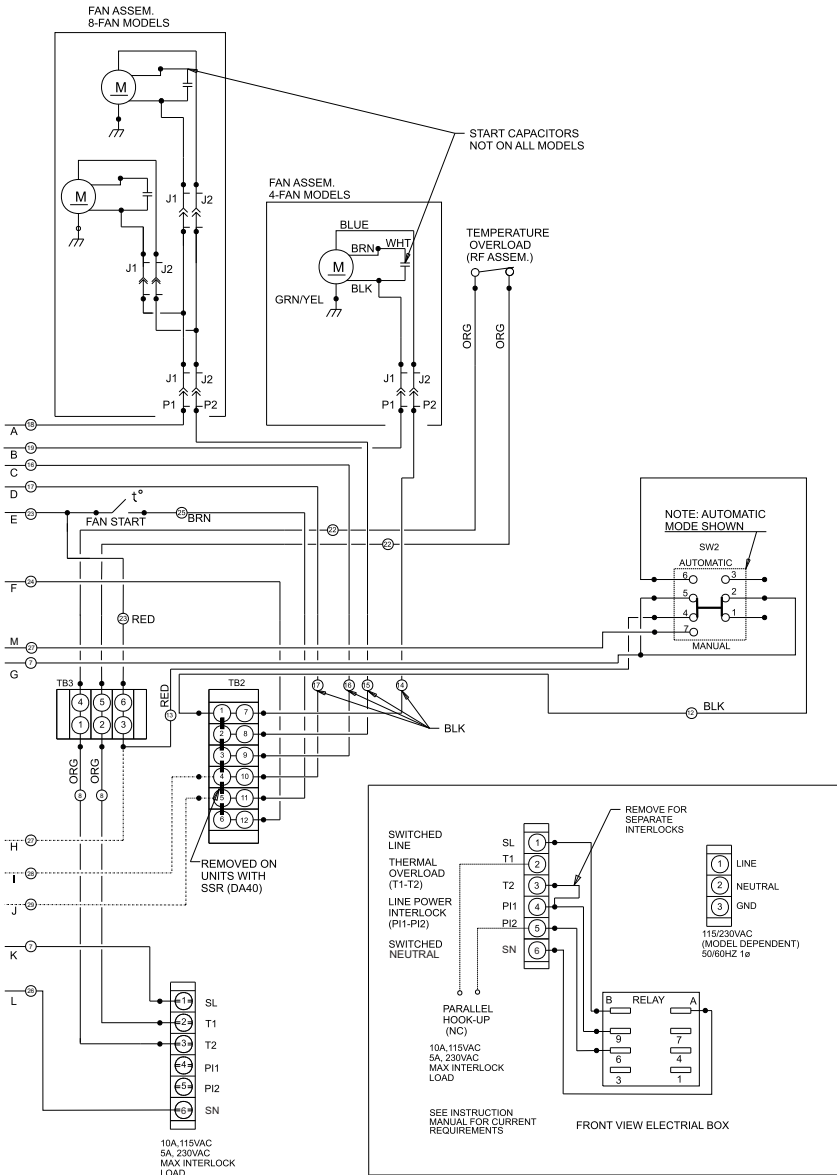


Figure 13 Digital Air Load Circuit Diagram Sheet 2



Specifications

Impedance	50 ohm nominal
VSWR	1.10:1 maximum, 1.05:1 typical†
Connectors (Model Dependent)	
1-5/8" EIA Flanged	1-5/8" Unflanged(Flush) 1-5/8" Unflanged(Recessed)
3-1/8" EIA Flanged	3-1/8" Unflanged(Flush) 3-1/8" Unflanged(Recessed)
4-1/16" Myat Flanged	4-1/16" Myat Unflanged 4-1/2" IEC Unflanged
6-1/8" EIA Flanged	4-7/8" IEC Unflanged
Power Rating	
DA5 Series	5 kW continuous duty
DA10 & DA10V Series	10 kW continuous duty
DA15 Series	15 kW continuous duty
DA25 & DA25V Series	25 kW continuous duty
DA40 Series	40 kW continuous duty
Peak to Average Power Ratio††	
Model DA40 series only	>14dB
All other models	>10dB
Frequency Range	
DA10V & DA25V Series	DC-240 MHz
DA5, DA10, DA15, DA25, & DA40 Series	470-890 MHz
Dimensions	
DA10V Series	23.5"L x 23.5"W x 59"H (597 x 597 x 1499 mm)
DA25V Series	27"L x 27"W x 61.0"H (686 x 686 x 1549 mm)
DA5 Series	17"L x 17"W x 64.0"H (432 x 432 x 1626 mm)
DA10 Series	19.5"L x 19.5"W x 68.5"H (495x495x1740mm)
DA15 Series	25"L x 25"W x 76.5"H (635 x 635 x 1943 mm)
DA25 Series	27"L x 27"W x 76.5"H (686 x 686 x 1943 mm)
DA40 Series	27.5"L x 27.5"W x 84.0"H (701x701x2134 mm)
Ambient Temperature	-40°C to +45°C (-40°F to +113°F)
Storage Temperature	-40°C to +70°C (-40°F to +158° F)
Humidity	30% to 95% (non-condensing)
Altitude	See Figure 14 and Figure 15
Interlock contact rating	10 Amp @ 120 VAC 5 Amp @ 250 VAC

AC Power Required^{†††}	115V	230V	@ 50/60 Hz, 1 ϕ
DA10V Series	3.2A	2.0A	
DA25V Series	9.0A	5.0A	
DA5 Series	3.2A	2.0A	
DA10 Series	3.2A	2.0A	
DA15 Series	9.0A	5.0A	
DA25 Series	10.0A	5.0A	
DA40 Series	20.0A	10.0A	
Breaker Rating	Refer to the breaker rating label on the unit.		
Safety	EN 61010-1:2001		
EMC	Emissions, EN 50081-1:1992 Emissions, EN 50081-1:1992 Harmonics, EN 61000-3-2:1995 Flicker, EN 61000-3-3:1995 ESD, EN 61000-4-2:1995 Radiated Immunity, EN 61000-4-3:1995 Electrical Fast Transient/Burst, EN 61000-4-4:1995 Surge, EN 61000-4-5:1995 Conducted, EN 61000-4-6:1995 Voltage Dips and Interrupts, EN 61000-4-11:1995		
Cooling Method	Forced air cooled		
Weight, Nominal			
DA5 Series	100 lbs. (45.5 kg)		
DA10, DA10V Series	130 lbs. (59.0 kg)		
DA15 Series	192 lbs. (87.1 kg)		
DA25 Series	245 lbs. (111.1 kg)		
DA25V Series	150 lbs. (68.0 kg)		
DA40 Series	310 lbs. (140.6 kg)		
Finish	Blue Powder Coat		

† Typical value of the VSWR over the frequency range of the unit is 1.05:1. This is representative of the average VSWR for the unit in question.

†† The Duty Factor should be such that the Average Power Rating of the load is never exceeded.

††† AC voltage must be within +10%, -6% of listed value.

Figure 14 UHF Loads Derating

Altitude De-rating
 Digital Air UHF Series:
 DA5, DA10, DA15, DA25, DA40

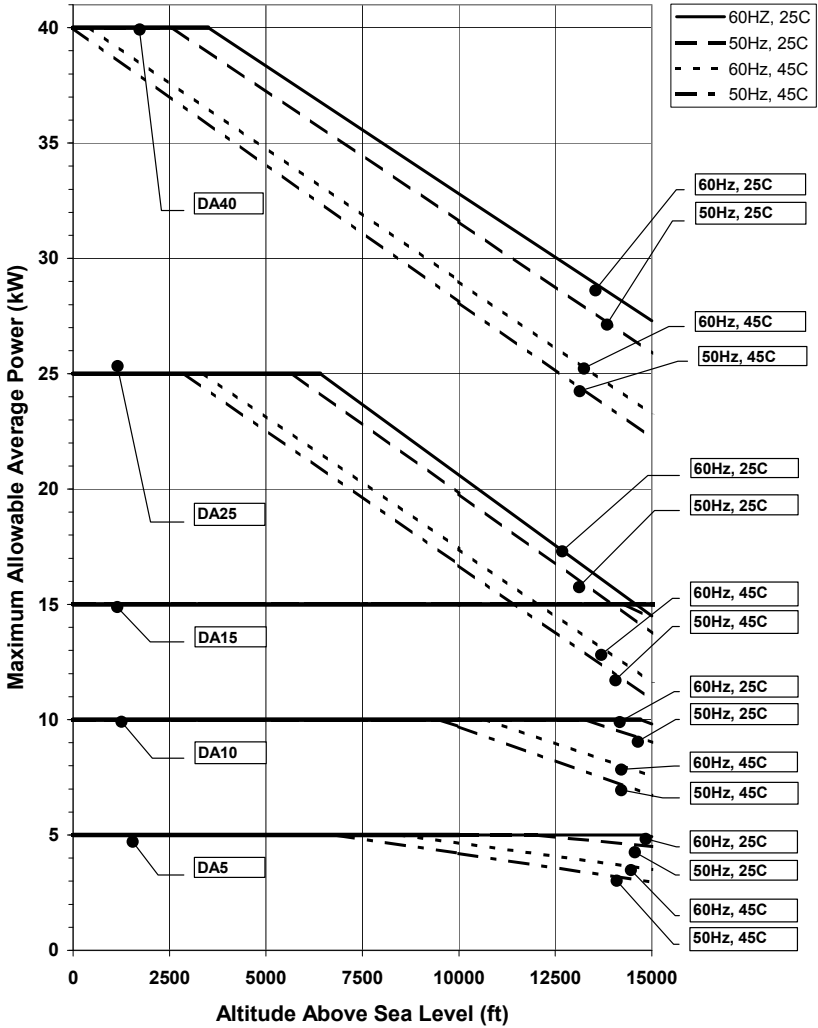
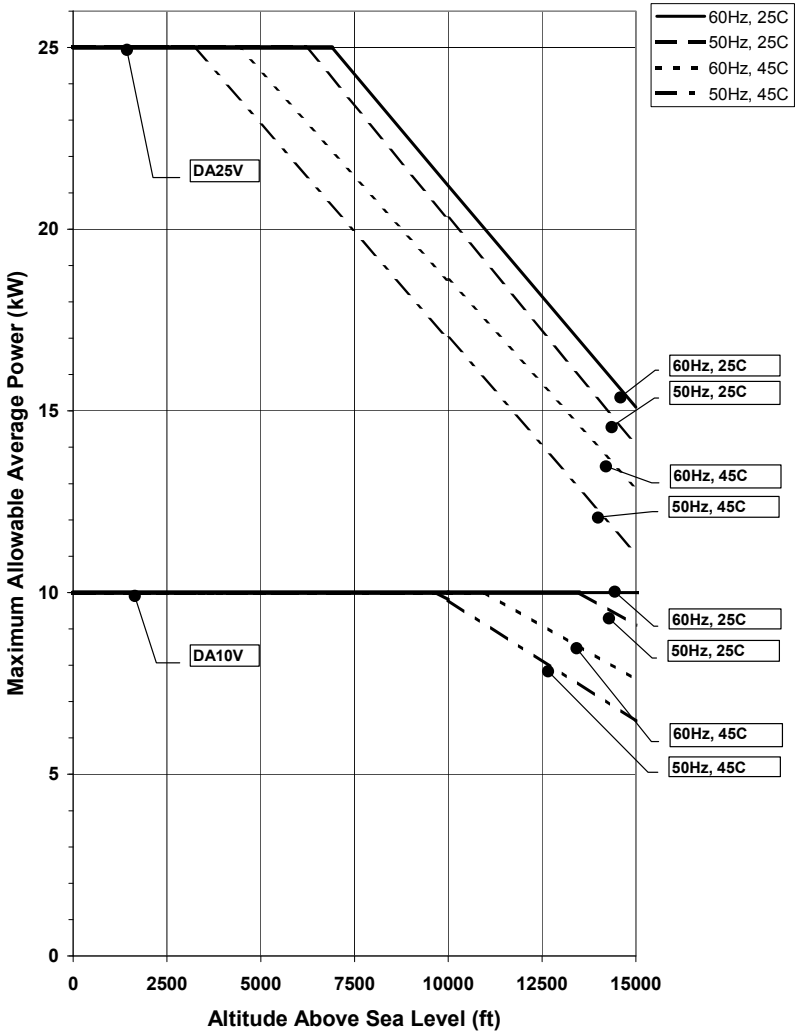


Figure 15 VHF Loads Derating

Altitude De-rating
 Digital Air VHF Series:
 DA10V, DA25V



Specifications for 12.5 kW Digital Air Load

All specifications are the same as the DA10F15, [see "Specifications" on page 25](#), with following exceptions:

Power Rating	12.5 kW continuous duty
Ambient Temperature	-40°C to +30°C (-40°F to +86°F)
Altitude	2500 ft. max.
AC Power Required	115Vac, 3.0A, 60 Hz, 1Φ

Limited Warranty

All products manufactured by Seller are warranted to be free from defects in material and workmanship for a period of one (1) year, unless otherwise specified, from date of shipment and to conform to applicable specifications, drawings, blueprints and/or samples. Seller's sole obligation under these warranties shall be to issue credit, repair or replace any item or part thereof which is proved to be other than as warranted; no allowance shall be made for any labor charges of Buyer for replacement of parts, adjustment or repairs, or any other work, unless such charges are authorized in advance by Seller.

If Seller's products are claimed to be defective in material or workmanship or not to conform to specifications, drawings, blueprints and/or samples, Seller shall, upon prompt notice thereof, either examine the products where they are located or issue shipping instructions for return to Seller (transportation-charges prepaid by Buyer). In the event any of our products are proved to be other than as warranted, transportation costs (cheapest way) to and from Seller's plant, will be borne by Seller and reimbursement or credit will be made for amounts so expended by Buyer. Every such claim for breach of these warranties shall be deemed to be waived by Buyer unless made in writing within ten (10) days from the date of discovery of the defect.

The above warranties shall not extend to any products or parts thereof which have been subjected to any misuse or neglect, damaged by accident, rendered defective by reason of improper installation or by the performance of repairs or alterations outside of our plant, and shall not apply to any goods or parts thereof furnished by Buyer or acquired from others at Buyer's request and/or to Buyer's specifications. Routine (regularly required) calibration is not covered under this limited warranty. In addition, Seller's warranties do not extend to the failure of tubes, transistors, fuses and batteries, or to other equipment and parts manufactured by others except to the extent of the original manufacturer's warranty to Seller.

The obligations under the foregoing warranties are limited to the precise terms thereof. These warranties provide exclusive remedies, expressly in lieu of all other remedies including claims for special or consequential damages. SELLER NEITHER MAKES NOR ASSUMES ANY OTHER WARRANTY WHATSOEVER, WHETHER EXPRESS, STATUTORY, OR IMPLIED, INCLUDING WARRANTIES OF MERCHANTABILITY AND FITNESS, AND NO PERSON IS AUTHORIZED TO ASSUME FOR SELLER ANY OBLIGATION OR LIABILITY NOT STRICTLY IN ACCORDANCE WITH THE FOREGOING.