

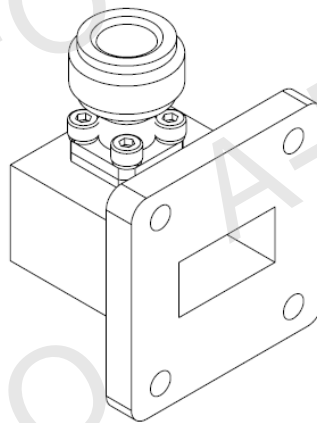
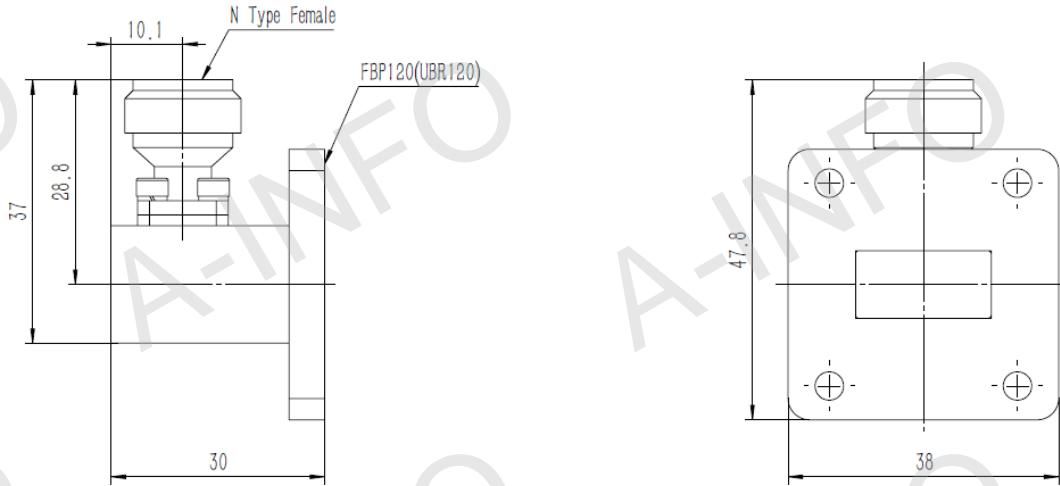
## Technical Specification



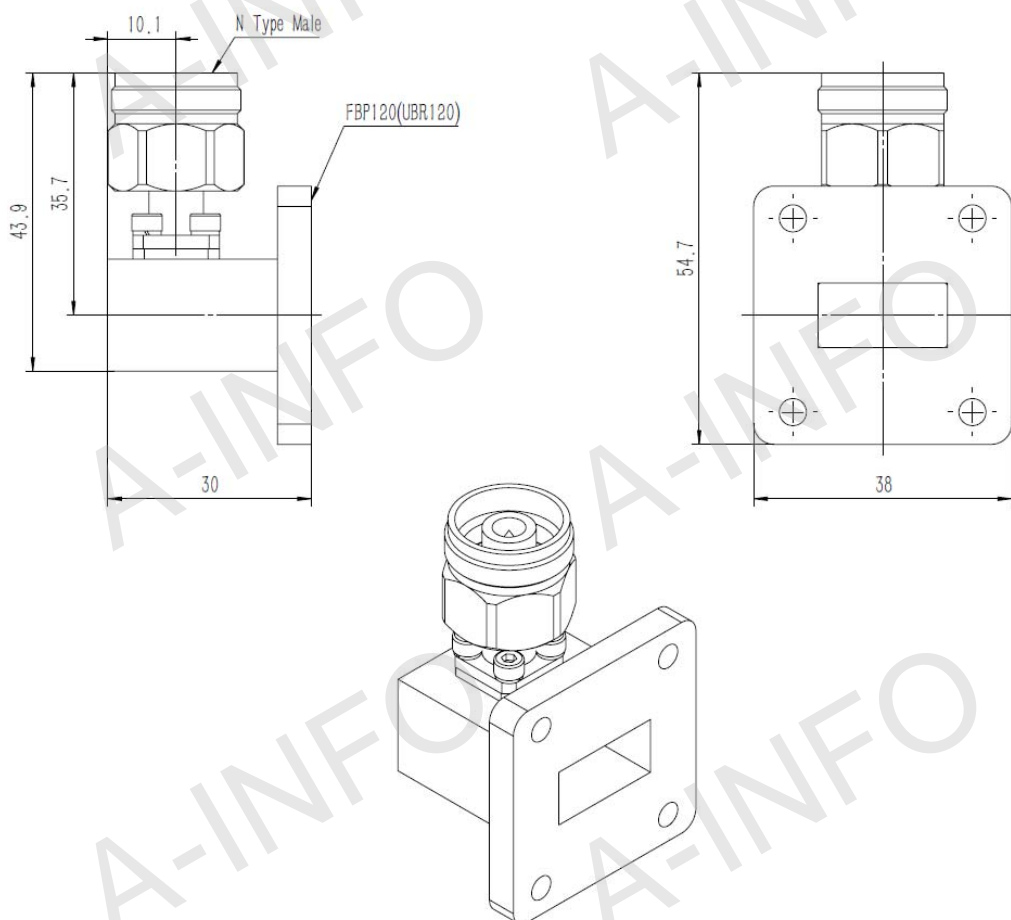
EIA WR	WR75
Frequency Range(GHz)	10.0 – 15.0
Theoretical Insertion Loss(dB)	0.23 Max.
VSWR	1.25
Flange	FBP120(UBR120)
Connector	N-Female / N-Male
Material	Al
Size(mm)	38 x 47.8 x 30
Net Weight(Kg)	0.04 Around

## Outline Drawing (Size: mm)

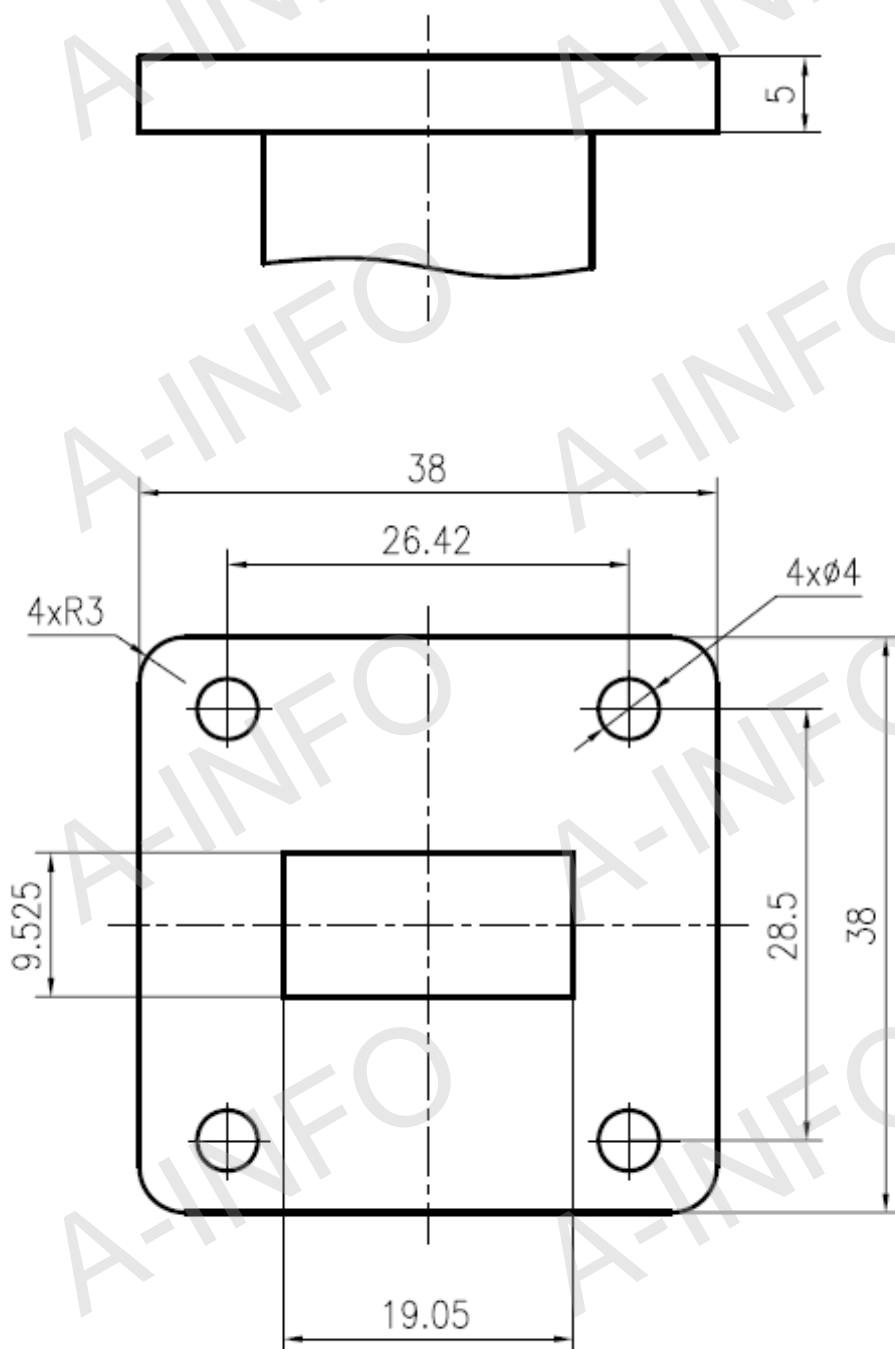
75WCAN (With N-Female Output)



## 75WCANM (With N-Male Output)



## Flange Drawing (Size: mm)



## FBP120

AINFO Inc.

Page 3 of 4

China(Beijing):  
China(Chengdu):  
USA :

Tel: (+86) 10-6266-7326,  
Tel: (+86) 28-8519-2786,  
Tel: (+1) 949-639-9688,

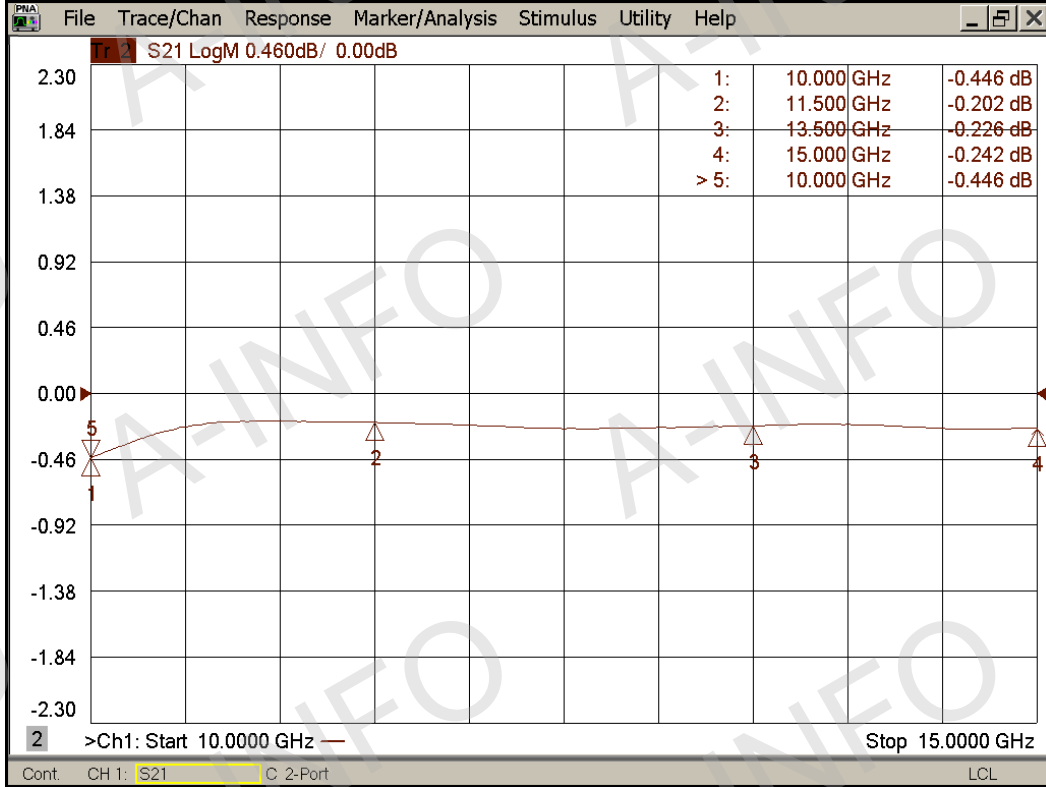
(+86) 10-6266-7327  
(+86) 28-8519-3044  
(+1) 949-639-9608

Fax: (+86) 10-6266-7379  
Fax: (+86) 28-8519-3068  
Fax: (+1) 949-639-9670

Website: [www.ainfoinc.com](http://www.ainfoinc.com)  
Email: [sales@ainfoinc.com](mailto:sales@ainfoinc.com)

## Test Results

I. L. (Test with two adapters back to back)



VSWR

