

3.5mm M/F BULKHEAD ADAPTER 34 GHZ

SM3322

SPECIFICATIONS

ELECTRICAL

50 OHMS
 VSWR 1.25:1 MAX @ 34 GHZ
 FREQUENCY: 0-34 GHZ

MECHANICAL

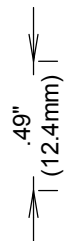
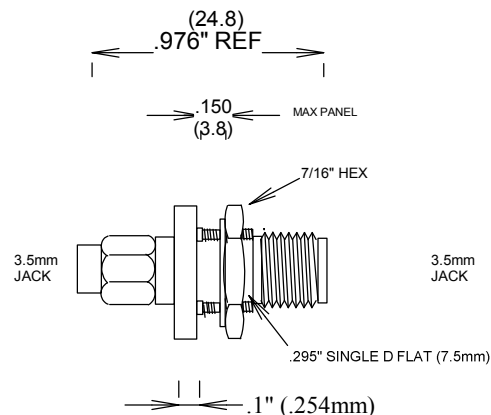
500 CYCLES MIN
 8-10 LBS COUPLING NUT MATING TORQUE

ENVIRONMENTAL

-65 DEG C TO +85 DEG C

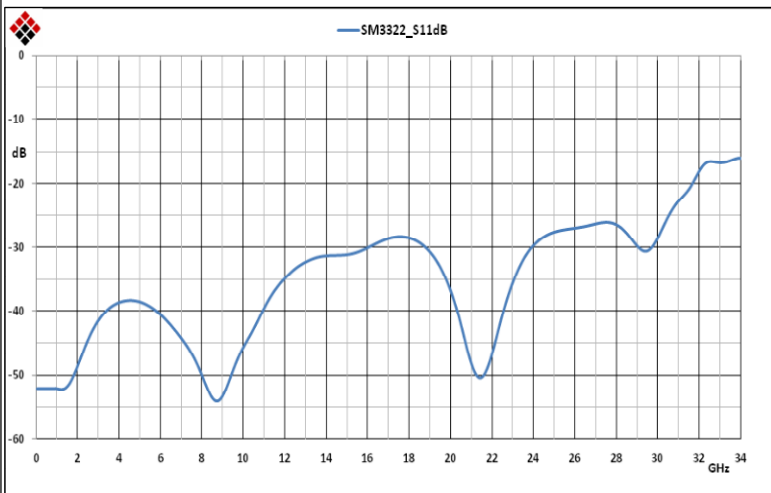
MATERIALS

BODY: PASSIVATED STAINLESS STEEL
 FEMALE CONTACTS BeCu
 CONTACTS PLATING Au MIL-G-45204
 INTERFACE: MIL-STD-348



RECOMMENDED PANEL CUTOUT

MEASUREMENTS BELOW ARE TYPICAL



ALL DIMENSIONS IN inches(MM) Typical

FAIRVIEW MICROWAVE INC.

ALLEN, TX 75013 WWW.FAIRVIEWMICROWAVE.COM

TITLE

3.5mm M/F BULKHEAD ADAPTER 34 GHZ

SIZE	CAGE CODE	DWG NO	REV
A	3FKR5	SM3322	A
SCALE	SHEET		