

**RA 2.92mm Male to 3.5mm Female Adapter**

**Electrical Specifications**

Description	Min	Typ	Max	Units
Frequency Range	DC		34.5	GHz
VSWR			1.35:1	
Return Loss			19.085	dB
Insertion Loss			0.3	dB



**Configuration:**

- 2.92mm Male Connector 1
- 3.5mm Female Connector 2
- 50 Ohms
- Right Angle Body Geometry

**Mechanical Specifications**

Weight 0.01 lbs [4.54 g]

Description	Connector 1	Connector 2
Type	2.92mm Male	3.5mm Female
Connection Method	Standard	Standard
Polarity	Standard	Standard
Hex Size	5/16 Inch	
Mating Torque	9 in-lbs max [1.02 Nm] max	

**Material Specifications**

Description	Connector 1	Connector 2
Type	2.92mm Male	3.5mm Female
Contact Material	Beryllium Copper	Beryllium Copper
Contact Plating	Gold	Gold
Contact Plating Spec.	MIL-G-45204	MIL-G-45204
Insulation Material	Air	Air
Outer Contact Material		Passivated Stainless Steel
Outer Conductor Contact Spec.		ASTM A380
Body Material	Passivated Stainless Steel	Passivated Stainless Steel
Body Plating Spec.	ASTM A380	ASTM A380
Coupling Nut Material	Passivated Stainless Steel	
Coupling Nut Plating Spec.	ASTM A380	

**Environmental Specifications**

**Temperature**

Operating Range -55 to +125 deg C

**Compliance Certifications** (visit [www.FairviewMicrowave.com](http://www.FairviewMicrowave.com) for current document)

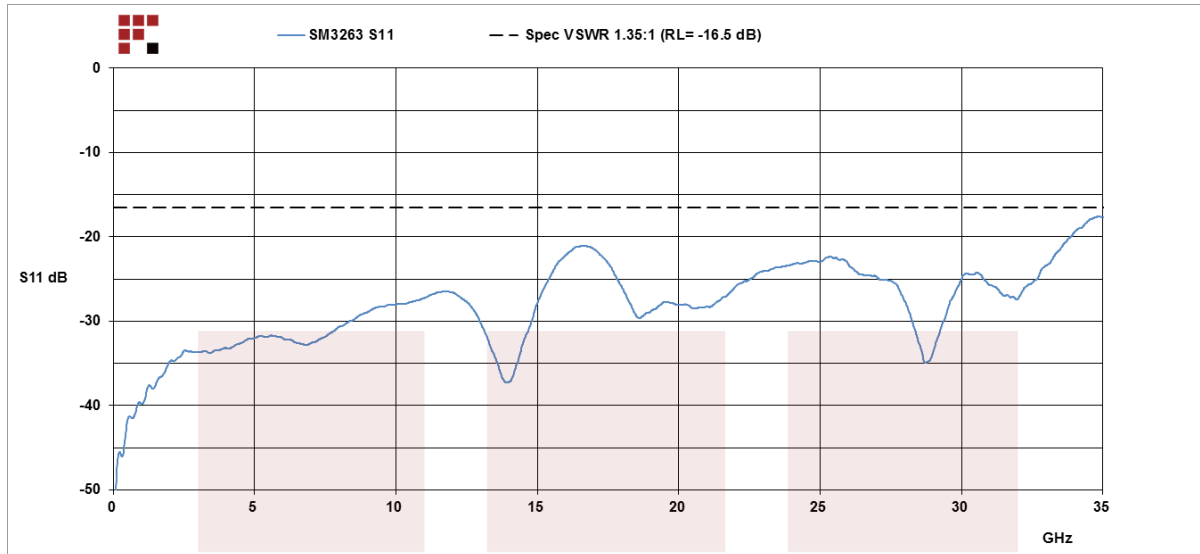
RoHS Compliant  
 REACH Compliant 12/17/2015

**Plotted and Other Data**

Notes:

Fairview Microwave  
 1130 Junction Dr. #100  
 Allen, TX 75013  
 Tel: 1-800-715-4396 / (972) 649-6678  
 Fax: (972) 649-6689  
[www.fairviewmicrowave.com](http://www.fairviewmicrowave.com)  
[sales@fairviewmicrowave.com](mailto:sales@fairviewmicrowave.com)

**Typical Performance Data**

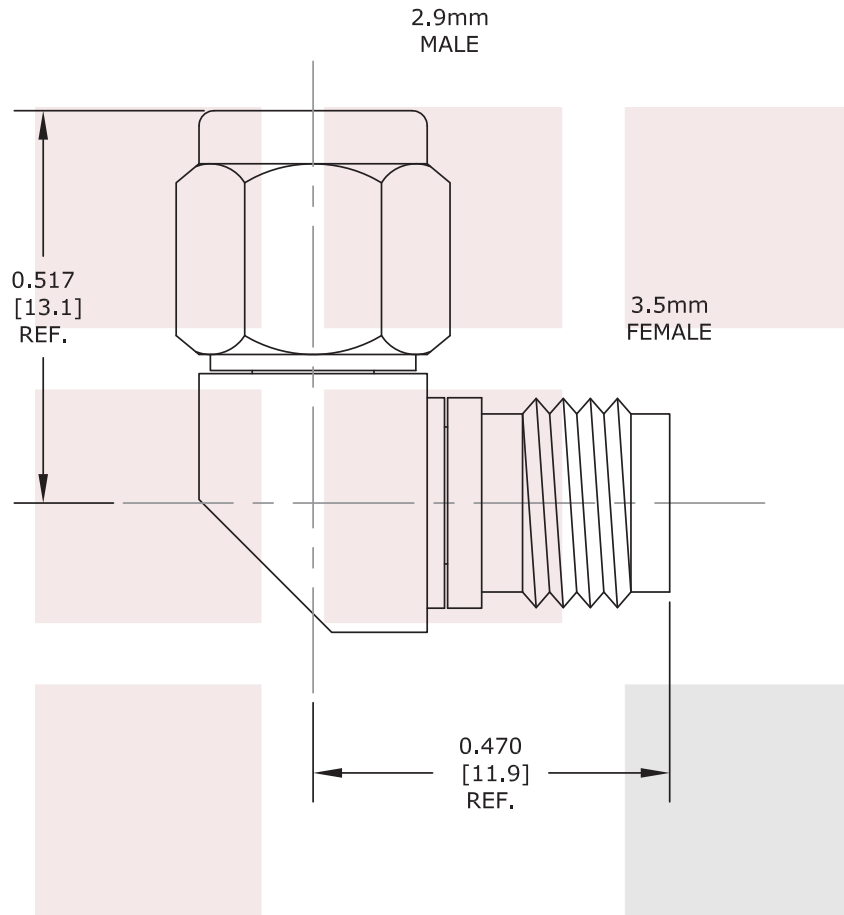


RA 2.92mm Male to 3.5mm Female Adapter from Fairview Microwave is in-stock and available to ship same-day. All of our RF/microwave products are available off-the-shelf from our ISO 9001:2008 certified facilities in Allen, Texas. Fairview Microwave is RF on-demand.

For additional information on this product, please click the following link: [RA 2.92mm Male to 3.5mm Female Adapter SM3263](#)

URL: <http://www.fairviewmicrowave.com/ra-2.92mm-male-3.5mm-female-adapter-sm3263-p.aspx>

The information contained in this document is accurate to the best of our knowledge and representative of the part described herein. It may be necessary to make modifications to the part and/or the documentation of the part, in order to implement improvements. Fairview Microwave reserves the right to make such changes as required. Unless otherwise stated, all specifications are nominal. Fairview Microwave does not make any representation or warranty regarding the suitability of the part described herein for any particular purpose, and Fairview Microwave does not assume any liability arising out of the use of any part or documentation.



<b>FAIRVIEW MICROWAVE INC.</b> ALLEN, TX 75013 WWW.FAIRVIEWMICROWAVE.COM		NOTES: 1. UNLESS OTHERWISE SPECIFIED ALL DIMENSIONS ARE NOMINAL. 2. ALL SPECIFICATIONS ARE SUBJECT TO CHANGE WITHOUT NOTICE AT ANY TIME. 3. DIMENSIONS ARE IN INCHES [mm].			
TITLE RA 2.92mm Male to 3.5mm Female Adapter		DWG NO SM3263		CAGE CODE 3FKR5	
CAD FILE	030314	SHEET	SCALE	N/A	SIZE A 2233