

HN M/F RIGHT ANGLE

SM3917

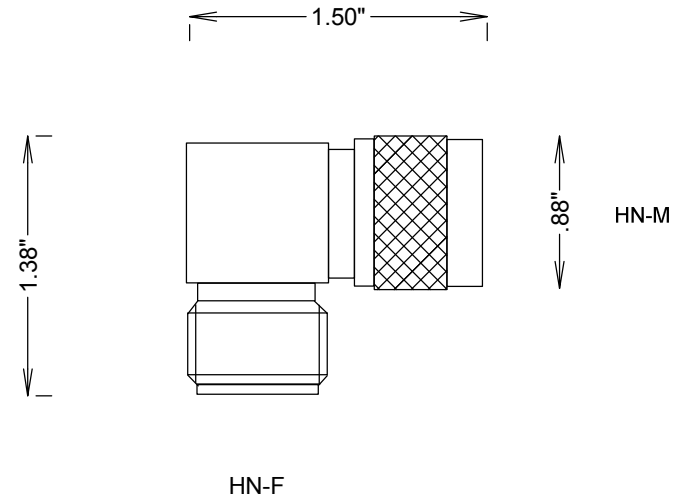
SPECIFICATIONS

ELECTRICAL

FREQUENCY: 0-4 GHZ
IMPEDANCE: 50 OHMS
VSWR: 1.25:1 MAX

MECHANICAL

MATERIAL BODY: NICKEL PLATED BRASS
CONTACTS MALE: BRASS, FEMALE: BeCu
CONTACT PLATING: Si QQ-S-365
INSULATOR: TEFLON
INTERFACE: MIL-STD-348
ROHS COMPLIANT
OP. TEMP: -55° to +125° C



FAIRVIEW MICROWAVE INC.

ALLEN, TX 75013 WWW.FAIRVIEWMICROWAVE.COM

TITLE

HN M/F RIGHT ANGLE

SIZE	CAGE CODE	DWG NO	REV
A	3FKR5	SM3917	--

SCALE

SHEET