

Low PIM SMA Male to 7/16 DIN Female Adapter Low VSWR

Low PIM SMA male to 7/16 DIN female adapter part number SM4695 from Fairview Microwave is in-stock and ships same day. This Fairview SMA to 7/16 DIN adapter has a male to female gender configuration in a low PIM design. SM4695 SMA male to 7/16 DIN female adapter operates to 8 GHz. The Fairview Microwave RF adapter provides good VSWR of 1.29:1 maximum and passive intermodulation of -170 dBc maximum. The SMA connector mates mechanically with commercially available 3.5mm and 2.92mm (K) connectors.

RF adapters can be used to enable connections between two connector types that would otherwise not mate. Certain RF adapter configurations can also be used to protect connectors on expensive equipment where the number of connect and disconnect cycles is high. An RF, microwave, or millimeter wave adapter is connected to the equipment and the commonly changed connection is made with the adapter which can be easily replaced when it wears out after high usage; such adapters are referred to as connector savers. Fairview Microwave also offers bulkhead, panel mount, hermetically sealed, reverse polarity, and isolated ground adapter varieties to serve all of your RF, microwave and millimeter wave needs.

Electrical Specifications

Description	Min	Typ	Max	Units
Frequency Range	DC		8	GHz
VSWR			1.29:1	
Passive Intermodulation			-170	dBc
DWV (AC)			1,000	Vrms

Specifications by Frequency

Description	F1	F2	F3	F4	F5	Units
Frequency Range	DC to 2	2 to 5	5 to 8			GHz
VSWR, Max	1.05:1	1.22:1	1.29:1			

Electrical Specification Notes:
Values at 25°C, sea level.

Mechanical Specifications

Size	
Length	1.3 in [33.02 mm]
Width	1.142 in [29.01 mm]
Weight	0.1375 lbs [62.37 g]

Description	Connector 1	Connector 2
Type	SMA Male	7/16 DIN Female
Polarity	Standard	Standard
Interface Specification	MIL-STD-348	IEC 169-4 (0.232 dia. Enhancement)
Mating Cycles	100	500
Hex Size	5/16 in.	
Mating Torque	5 in-lbs max [0.57 Nm] max	



Configuration:

- SMA Male Connector 1
- 7/16 DIN Female Connector 2
- 50 Ohm
- Low PIM Design
- Straight Body Geometry

Features:

- VSWR of 1.29:1 max up to 8 GHz
- PIM levels better than -170 dBc
- SMA interface meets MIL-STD-348
- 7/16 DIN interface meets IEC 169-4 (0.232 dia. Enhancement)
- 30[0.762] μin [μm]/50[1.27] μin [μm] minimum contact plating
- Gold over Copper Plated Beryllium Copper Contact

Applications:

- Enables Between Series Connections
- General Purpose Test
- Low PIM Applications

Fairview Microwave
301 Leora Ln., Suite 100
Lewisville, TX 75056
Tel: 1-800-715-4396 / (972) 649-6678
Fax: (972) 649-6689
www.fairviewmicrowave.com
sales@fairviewmicrowave.com

Material Specifications

Description	Connector 1	Connector 2
Type	SMA Male	7/16 DIN Female
Contact Material	Beryllium Copper	Beryllium Copper
Contact Plating	Gold over Copper	Gold over Copper
Contact Plating Spec.	30[0.762] μin [μm]/50[1.27] μin [μm] minimum	30[0.762] μin [μm]/50[1.27] μin [μm] minimum
Insulation Material	PTFE	PTFE
Body Material	Brass	Brass
Body Plating	Tri-Metal	Tri-Metal
Body Plating Spec.	100 [2.54] μin [μm] minimum	100 [2.54] μin [μm] minimum
Coupling Nut Material	Brass	
Coupling Nut Plating	Tri-Metal	
Coupling Nut Plating Spec.	100 [2.54] μin [μm] minimum	

Environmental Specifications

Temperature

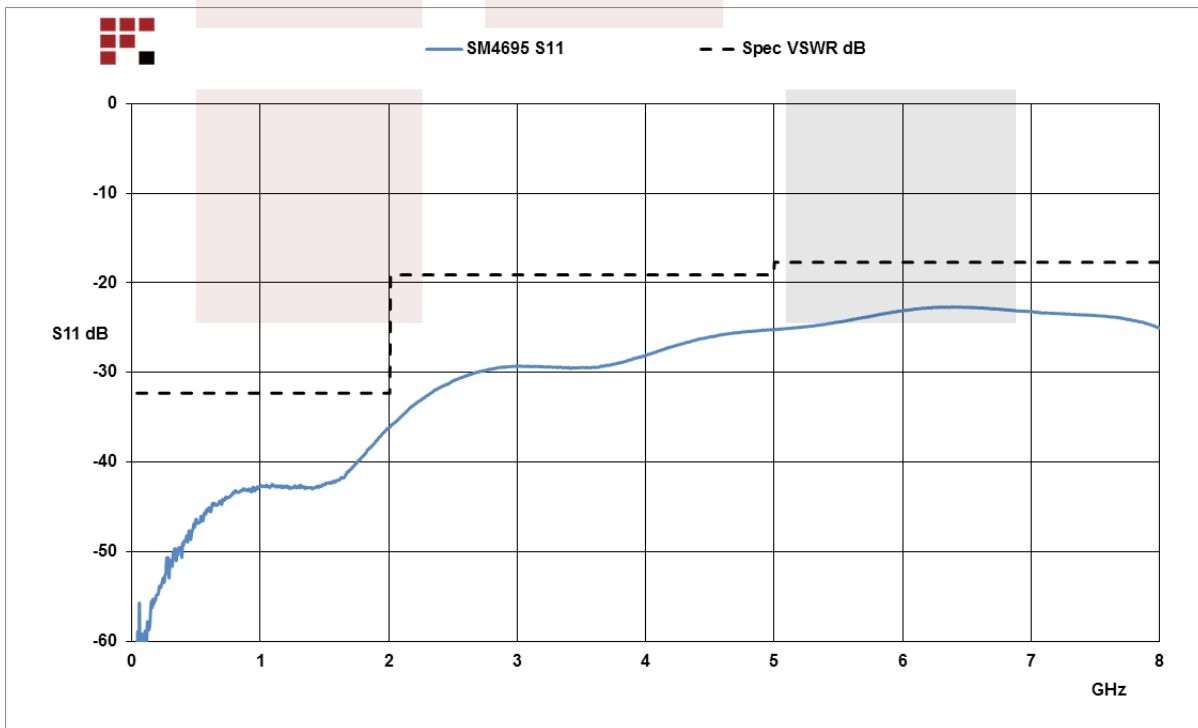
Operating Range -55 to +155 deg C

Compliance Certifications (see [product page](#) for current document)

Plotted and Other Data

Notes:

Typical Performance Data

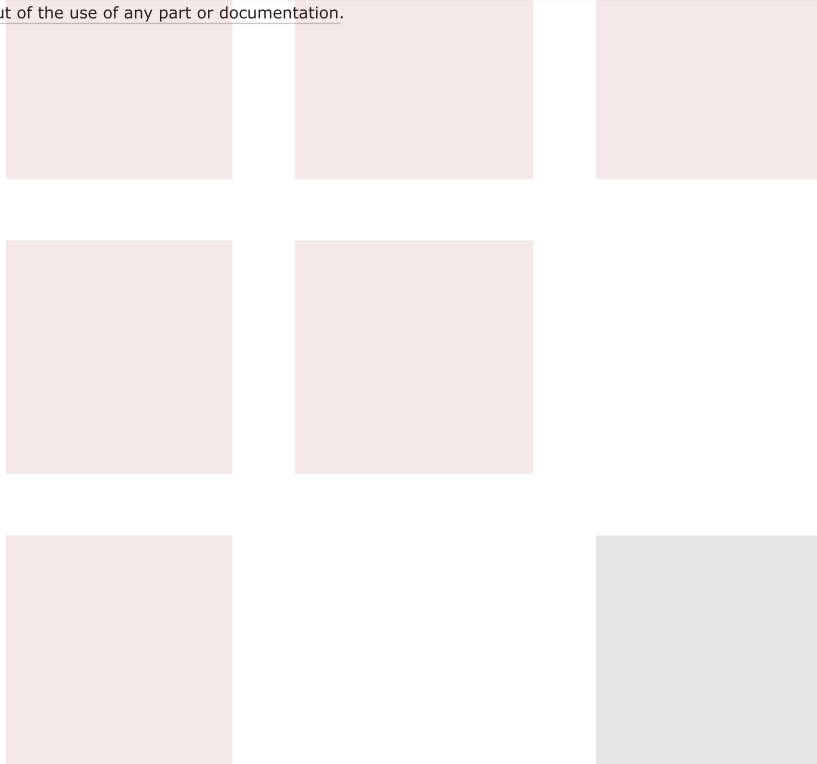


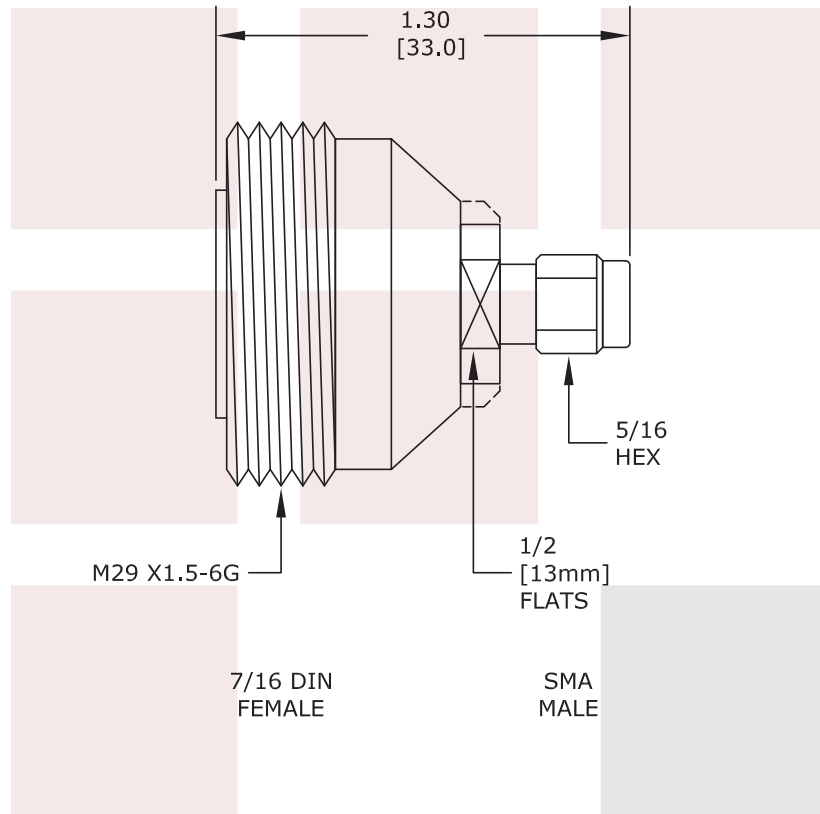
Low PIM SMA Male to 7/16 DIN Female Adapter Low VSWR from Fairview Microwave is in-stock and available to ship same-day. All of our RF/microwave products are available off-the-shelf from our ISO 9001:2008 certified facilities in Allen, Texas. Fairview Microwave is RF on-demand.

For additional information on this product, please click the following link: [Low PIM SMA Male to 7/16 DIN Female Adapter Low VSWR SM4695](#)

URL: <https://www.fairviewmicrowave.com/low-pim-sma-male-7-16-female-adapter-sm4695-p.aspx>

The information contained in this document is accurate to the best of our knowledge and representative of the part described herein. It may be necessary to make modifications to the part and/or the documentation of the part, in order to implement improvements. Fairview Microwave reserves the right to make such changes as required. Unless otherwise stated, all specifications are nominal. Fairview Microwave does not make any representation or warranty regarding the suitability of the part described herein for any particular purpose, and Fairview Microwave does not assume any liability arising out of the use of any part or documentation.





FAIRVIEW MICROWAVE INC. ALLEN, TX 75013 WWW.FAIRVIEWMICROWAVE.COM		NOTES: 1. UNLESS OTHERWISE SPECIFIED ALL DIMENSIONS ARE NOMINAL. 2. ALL SPECIFICATIONS ARE SUBJECT TO CHANGE WITHOUT NOTICE AT ANY TIME. 3. DIMENSIONS ARE IN INCHES [mm].			
TITLE Low PIM SMA Male to 7/16 DIN Female Adapter Low VSWR	DWG NO SM4695		CAGE CODE 3FKR5		
	CAD FILE 051414	SHEET	SCALE N/A	SIZE A	2233