

Precision SMA Female to SMP Male Smooth Bore CM 2 Hole Flange Adapter

Precision SMA female to SMP male smooth bore CM 2 hole flange adapter part number SM8837 from Fairview Microwave is in-stock and ships same day. This Fairview SMA to SMP adapter has a female to male gender configuration in a precision design. SM8837 SMA female to SMP male adapter operates to 26.5 GHz. The Fairview Microwave RF adapter provides excellent VSWR of 1.2:1 maximum. The SMA connector mates mechanically with commercially available 3.5mm and 2.92mm (K) connectors. Our RF SMA to SMP 2 hole flange adapter allows designers to create external connections on their product enclosures, and can be used in a variety of other rack mount and panel mount applications.

RF adapters can be used to enable connections between two connector types that would otherwise not mate. Certain RF adapter configurations can also be used to protect connectors on expensive equipment where the number of connect and disconnect cycles is high. An RF, microwave, or millimeter wave adapter is connected to the equipment and the commonly changed connection is made with the adapter which can be easily replaced when it wears out after high usage; such adapters are referred to as connector savers. Fairview Microwave also offers bulkhead, panel mount, hermetically sealed, reverse polarity, and isolated ground adapter varieties to serve all of your RF, microwave and millimeter wave needs.

Electrical Specifications

Description	Min	Typ	Max	Units
Frequency Range	DC		26.5	GHz
VSWR			1.2:1	

Electrical Specification Notes:
Values at 25°C, sea level.

Mechanical Specifications

Size	
Length	0.78 in [19.81 mm]
Width	0.63 in [16 mm]
Weight	0.0115 lbs [5.22 g]

Description	Connector 1	Connector 2
Type	SMA Female	SMP Male
Connection Method		Smooth Bore CM
Polarity	Standard	Standard
Interface Specification	MIL-STD-348	
Mating Cycles	500	



Configuration:

- SMA Female Connector 1
- Smooth Bore CM SMP Male Connector 2
- 50 Ohm
- Precision Design
- Straight Body Geometry
- 2 Hole Flange Mount Method

Features:

- VSWR of 1.2:1 max up to 26.5 GHz
- SMA interface meets MIL-STD-348
- Contact plating according to MIL-G-45204
- Gold Plated Beryllium Copper Contact

Applications:

- Enables Between Series Connections
- General Purpose Test
- Rack Mounted Equipment
- Precision Test & Measurement

Fairview Microwave
301 Leora Ln., Suite 100
Lewisville, TX 75056
Tel: 1-800-715-4396 / (972) 649-6678
Fax: (972) 649-6689
www.fairviewmicrowave.com
sales@fairviewmicrowave.com

Material Specifications

Description	Connector 1	Connector 2
Type	SMA Female	SMP Male
Contact Material	Beryllium Copper	Beryllium Copper
Contact Plating	Gold	Gold
Contact Plating Spec.	MIL-G-45204	MIL-G-45204
Insulation Material	PTFE	PTFE
Outer Contact Material	Passivated Stainless Steel	
Outer Contact Plating Spec.	AMS-QQ-P-35	
Body Material		Passivated Stainless Steel
Body Plating Spec.		AMS-QQ-P-35

Environmental Specifications

Temperature

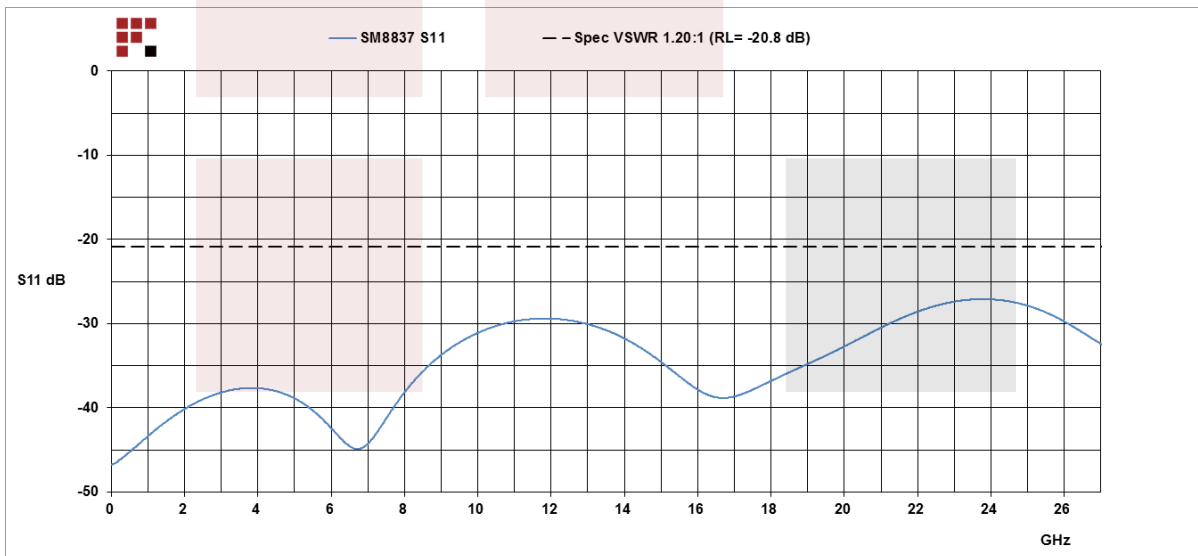
Operating Range -65 to +165 deg C

Compliance Certifications (see [product page](#) for current document)

Plotted and Other Data

Notes:

Typical Performance Data



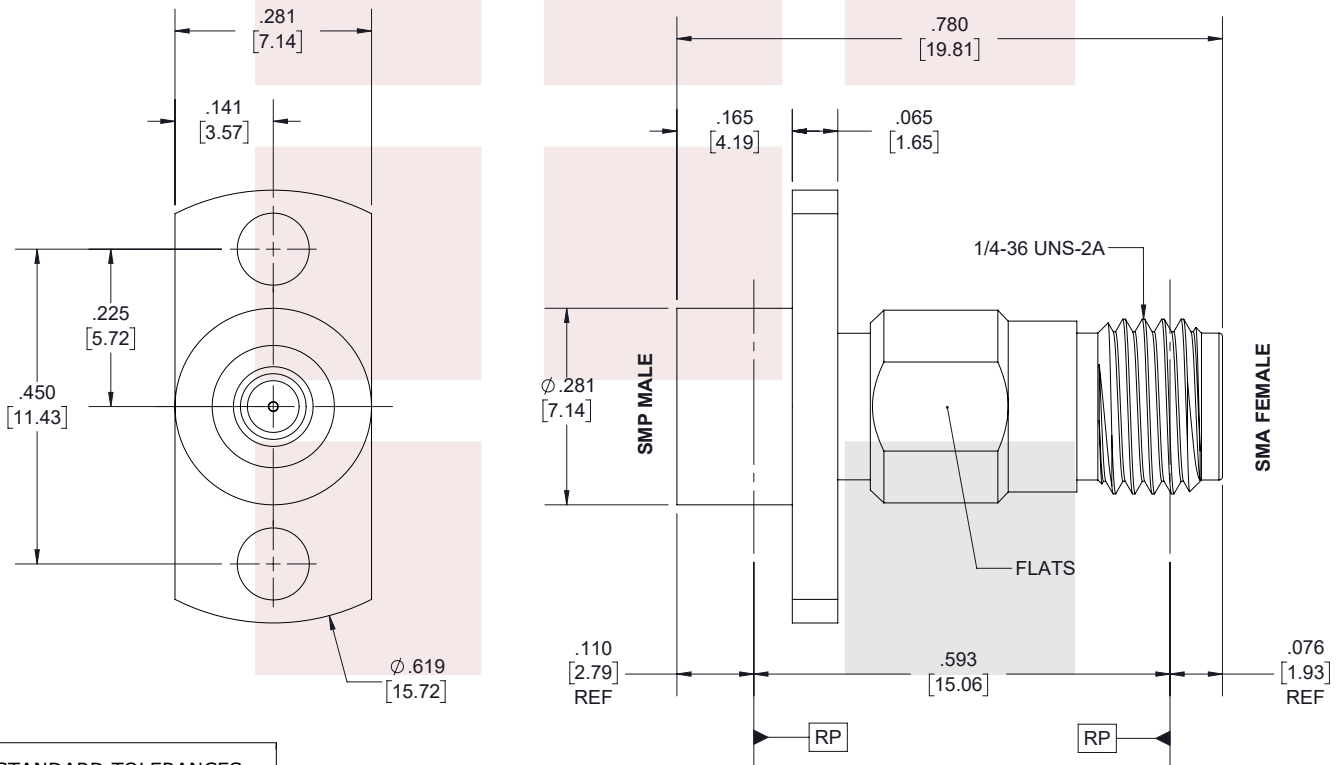
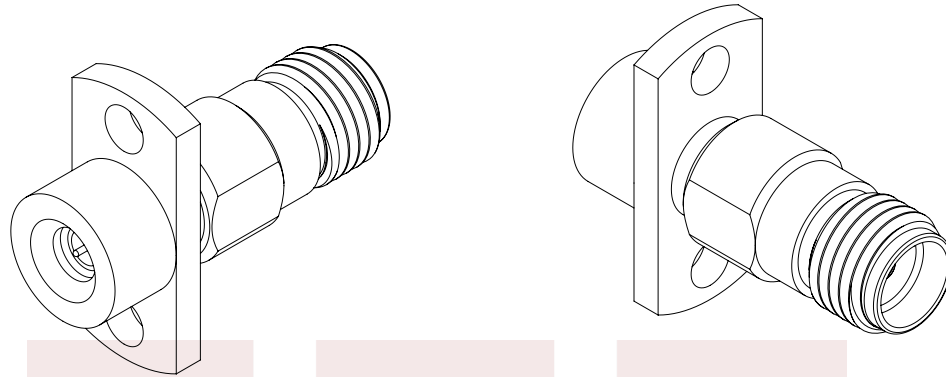
Precision SMA Female to SMP Male Smooth Bore CM 2 Hole Flange Adapter from Fairview Microwave is in-stock and available to ship same-day. All of our RF/microwave products are available off-the-shelf from our ISO 9001:2008 certified facilities in Allen, Texas. Fairview Microwave is RF on-demand.

For additional information on this product, please click the following link: [Precision SMA Female to SMP Male Smooth Bore CM 2 Hole Flange Adapter SM8837](#)

URL: <https://www.fairviewmicrowave.com/sma-female-smp-male-smooth-bore-2-hole-flange-adapter-sm8837-p.aspx>

The information contained in this document is accurate to the best of our knowledge and representative of the part described herein. It may be necessary to make modifications to the part and/or the documentation of the part, in order to implement improvements. Fairview Microwave reserves the right to make such changes as required. Unless otherwise stated, all specifications are nominal. Fairview Microwave does not make any representation or warranty regarding the suitability of the part described herein for any particular purpose, and Fairview Microwave does not assume any liability arising out of the use of any part or documentation.





STANDARD TOLERANCES

- .X ±0.2
- .XX ±0.01
- .XXX ±0.005

*STANDARD TOLERANCES APPLY ONLY TO DIMENSIONS IN INCHES

- NOTES:
1. UNLESS OTHERWISE SPECIFIED ALL DIMENSIONS ARE NOMINAL.
2. ALL SPECIFICATIONS ARE SUBJECT TO CHANGE WITHOUT NOTICE AT ANY TIME.
3. DIMENSIONS ARE IN INCHES [mm].

TITLE Precision SMA Female to SMP Male Smooth Bore CM 2 Hole Flange Adapter	DWG NO SM8837		CAGE CODE 3FKR5			
	CAD FILE 05/01/18	SHEET 1 OF 1	SCALE N/A	SIZE A	7361	