

2.4mm Female to 1.85mm Male Adapter

2.4mm female to 1.85mm male adapter part number SM3943 from Fairview Microwave is in-stock and ships same day. This Fairview 2.4mm to 1.85mm adapter has a female to male gender configuration and is built of durable stainless steel. SM3943 2.4mm female to 1.85mm male adapter operates to 50 GHz. The Fairview Microwave RF adapter provides good VSWR of 1.3:1 maximum. The 2.4mm connector mates mechanically with commercially available 1.85mm (V) connectors.

RF adapters can be used to enable connections between two connector types that would otherwise not mate. Certain RF adapter configurations can also be used to protect connectors on expensive equipment where the number of connect and disconnect cycles is high. An RF, microwave, or millimeter wave adapter is connected to the equipment and the commonly changed connection is made with the adapter which can be easily replaced when it wears out after high usage; such adapters are referred to as connector savers. Fairview Microwave also offers bulkhead, panel mount, hermetically sealed, reverse polarity, and isolated ground adapter varieties to serve all of your RF, microwave and millimeter wave needs.

Electrical Specifications

Description	Min	Typ	Max	Units
Frequency Range	DC		50	GHz
VSWR			1.3:1	
Insertion Loss			0.35	dB

Electrical Specification Notes:
 Insertion Loss = 0.05 * sqrt (fGHz)

Mechanical Specifications

Size	
Length	0.79 in [20.07 mm]
Width	0.312 in [7.92 mm]
Weight	0.014 lbs [6.35 g]

Description	Connector 1	Connector 2
Type	2.4mm Female	1.85mm Male
Polarity	Standard	Standard
Mating Cycles	500	500
Mating Torque	8 in-lbs max [0.90 Nm] max	8 in-lbs max [0.90 Nm] max



Configuration:

- 2.4mm Female Connector 1
- 1.85mm Male Connector 2
- 50 Ohm
- Straight Body Geometry

Features:

- VSWR of 1.3:1 max up to 50 GHz
- Contact plating according to MIL-G-45204
- Gold over Nickel Plated Beryllium Copper Contact

Applications:

- Enables Between Series Connections
- General Purpose Test

Fairview Microwave
 301 Leora Ln., Suite 100
 Lewisville, TX 75056
 Tel: 1-800-715-4396 / (972) 649-6678
 Fax: (972) 649-6689
www.fairviewmicrowave.com
sales@fairviewmicrowave.com

Material Specifications

Description	Connector 1	Connector 2
Type	2.4mm Female	1.85mm Male
Contact Material	Beryllium Copper	Beryllium Copper
Contact Plating	Gold over Nickel	Gold over Nickel
Contact Plating Spec.	MIL-G-45204	MIL-G-45204
Insulation Material	Oxide-Noryl	Oxide-Noryl
Outer Contact Material	Passivated Stainless Steel	
Outer Contact Plating Spec.	ASTM A380	
Body Material	Passivated Stainless Steel	Passivated Stainless Steel
Body Plating Spec.	ASTM A380	ASTM A380
Coupling Nut Material		Passivated Stainless Steel
Coupling Nut Plating Spec.		ASTM A380

Environmental Specifications

Temperature

Operating Range

-55 to +100 deg C

Vibration

MIL-STD 202

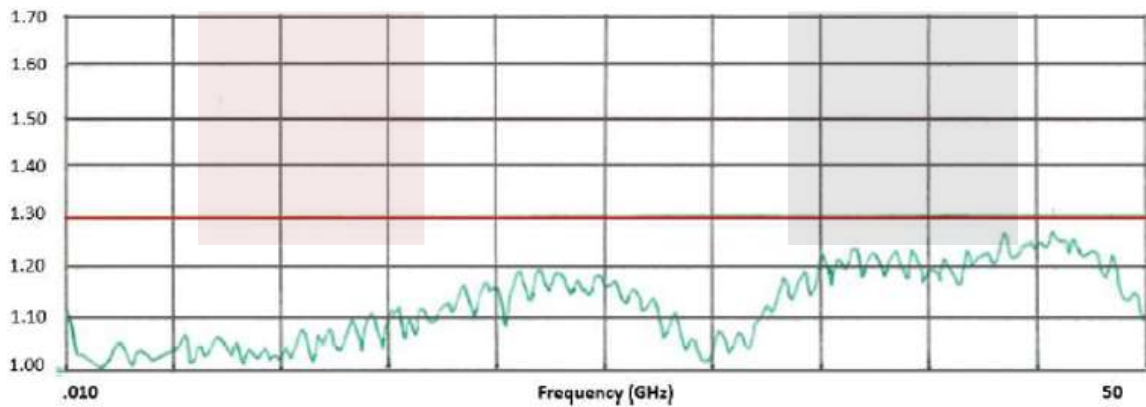
Compliance Certifications (see [product page](#) for current document)

Plotted and Other Data

Notes:

Typical Performance Data

Typical VSWR



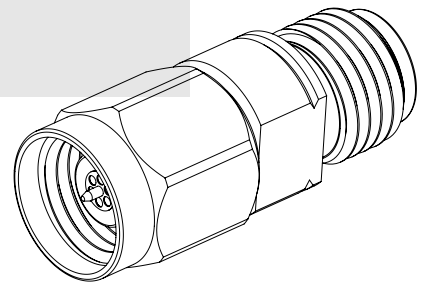
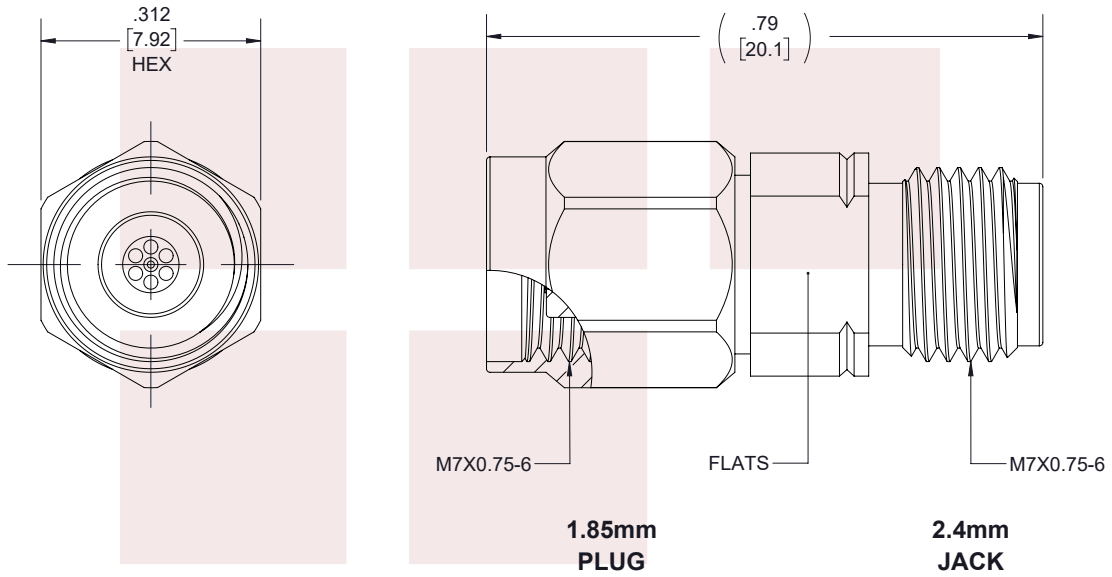
2.4mm Female to 1.85mm Male Adapter from Fairview Microwave is in-stock and available to ship same-day. All of our RF/microwave products are available off-the-shelf from our ISO 9001:2008 certified facilities in Allen, Texas. Fairview Microwave is RF on-demand.

For additional information on this product, please click the following link: [2.4mm Female to 1.85mm Male Adapter SM3943](#)

URL: <https://www.fairviewmicrowave.com/2.4mm-female-1.85mm-male-adapter-sm3943-p.aspx>

The information contained in this document is accurate to the best of our knowledge and representative of the part described herein. It may be necessary to make modifications to the part and/or the documentation of the part, in order to implement improvements. Fairview Microwave reserves the right to make such changes as required. Unless otherwise stated, all specifications are nominal. Fairview Microwave does not make any representation or warranty regarding the suitability of the part described herein for any particular purpose, and Fairview Microwave does not assume any liability arising out of the use of any part or documentation.





STANDARD TOLERANCES	
.X	±0.2
.XX	±0.01
.XXX	±0.005

*STANDARD TOLERANCES APPLY ONLY TO DIMENSIONS IN INCHES

NOTES:
 1. UNLESS OTHERWISE SPECIFIED ALL DIMENSIONS ARE NOMINAL.
 2. ALL SPECIFICATIONS ARE SUBJECT TO CHANGE WITHOUT NOTICE AT ANY TIME.
 3. DIMENSIONS ARE IN INCHES [mm].

TITLE 2.4mm Female to 1.85mm Male Adapter	DWG NO SM3943		CAGE CODE 3FKR5		
	CAD FILE 030618	SHEET 1 OF 1	SCALE N/A	SIZE A	7361