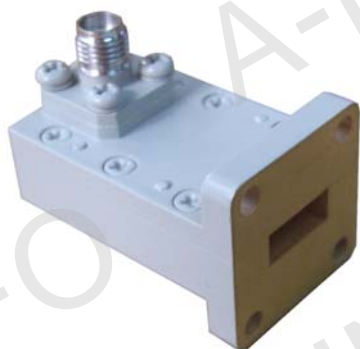
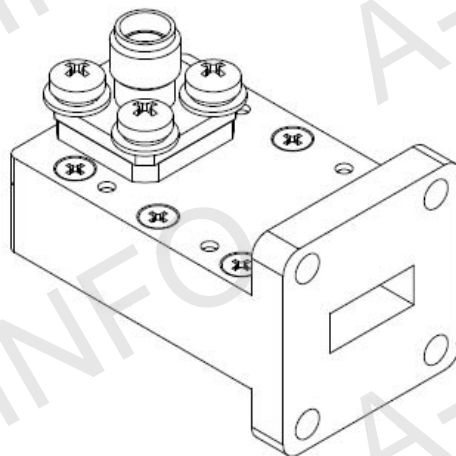
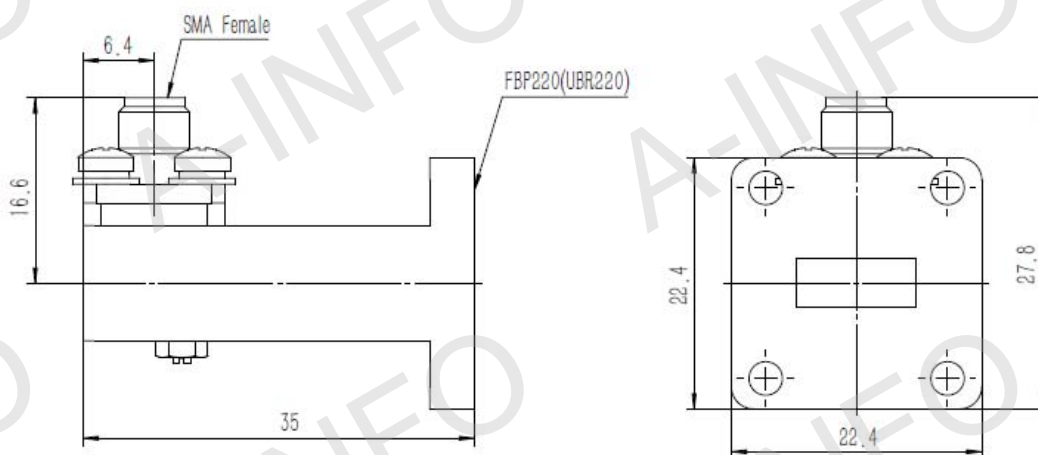


## Technical Specification



Frequency Range(GHz)	18.0 - 26.5	
VSWR	1.30	
Theoretical Insertion Loss(dB)	0.32 Max.	
Connector	SMA-F	
Waveguide	WR42	
Flange	FBP220(UBR220)	
Material	Cu	
Net Weight(Kg)	0.03 Around	

## Outline Drawing (Size: mm)



AINFO Inc.

Page 1 of 2

China(Beijing):  
China(Chengdu):  
USA :

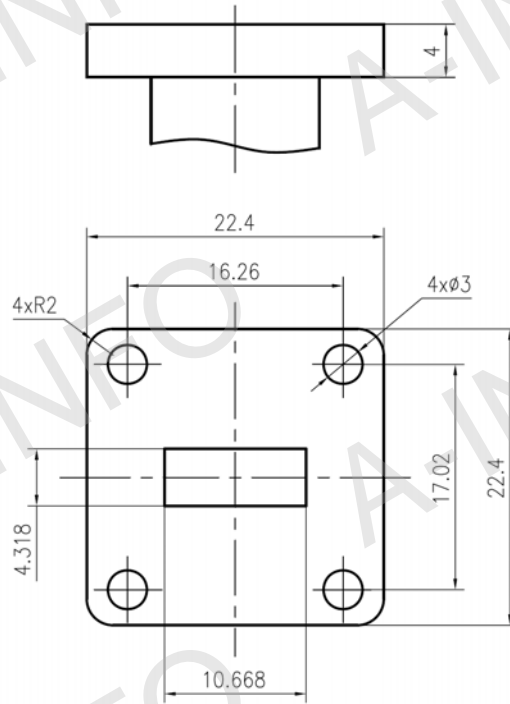
Tel: (+86) 10-6266-7326,  
Tel: (+86) 28-8519-2786,  
Tel: (+1) 949-346-7326,

(+86) 10-6266-7327  
(+86) 28-8519-3044  
(+1) 949-639-9660

Fax: (+86) 10-6266-7379  
Fax: (+86) 28-8519-3068  
Fax: (+1) 949-639-9659

Website: [www.ainfoinc.com](http://www.ainfoinc.com)  
Email: [sales@ainfoinc.com](mailto:sales@ainfoinc.com)

## Flange Drawing



FBP220

## Test Results

### VSWR

