

# SMA F/F BULKHEAD REVERSE POLARITY ADAPTER W O-RING AND EPOXY

SM4992

## SPECIFICATIONS

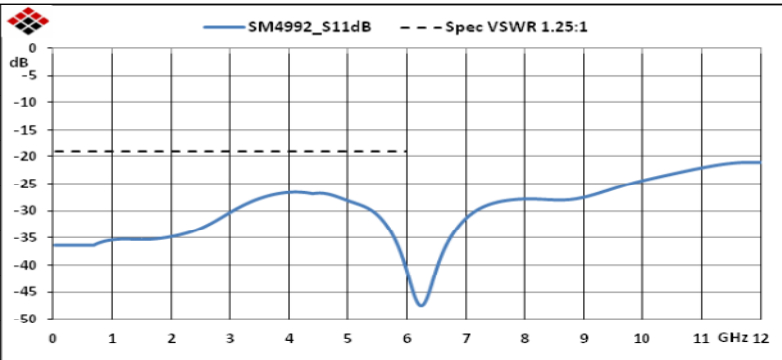
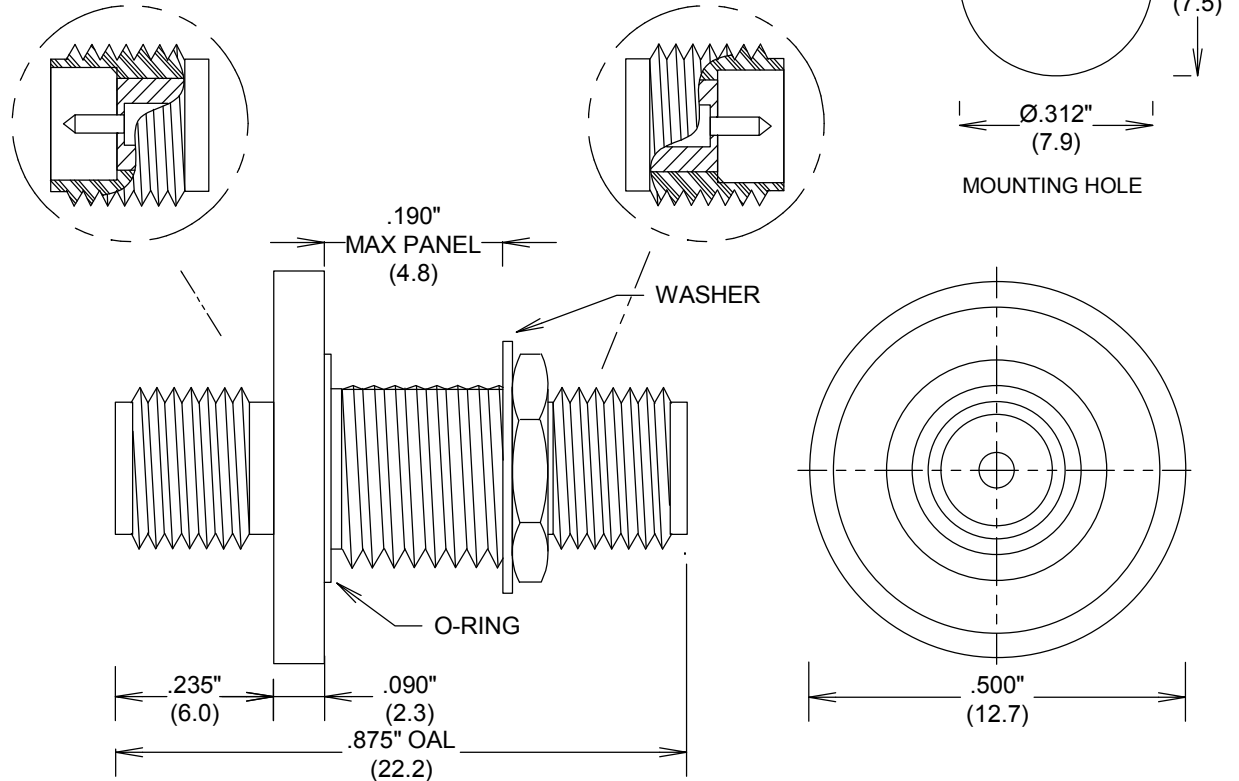
**ELECTRICAL**  
 50 OHMS  
 VSWR 1.25:1 MAX @ 6 GHZ  
 FREQUENCY: 0-6 GHZ

**MECHANICAL**  
 500 CYCLES MIN

**ENVIRONMENTAL**  
 -55°C TO +125°C

**MATERIALS**  
 BODY: PASSIVATED STAINLESS STEEL  
 CONTACTS Au PLATED MIL-G-45204

ROHS COMPLIANT



ALL DIMENSIONS IN inches(MM) Typical

<b>FAIRVIEW MICROWAVE INC.</b>			
ALLEN, TX 75013 WWW.FAIRVIEWMICROWAVE.COM			
TITLE SMA F/F BULKHEAD REVERSE POLARITY ADAPTER W O-RING AND EPOXY			
SIZE <b>A</b>	CAGE CODE <b>3FKR5</b>	DWG NO <b>SM4992</b>	REV <b>A</b>
SCALE		SHEET	