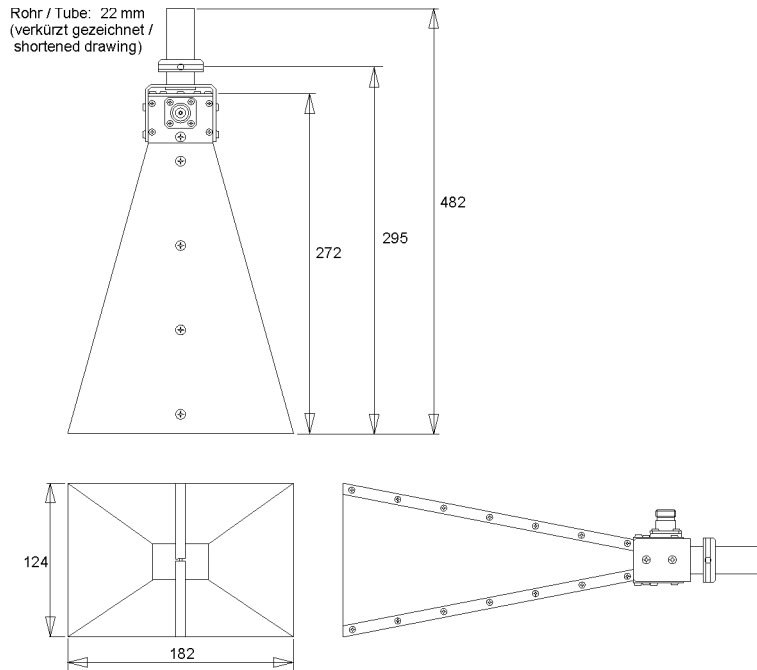


SCHWARZBECK MESS - ELEKTRONIK

An der Klinge 29 D-69250 Schönau Tel.: 06228/1001 Fax.: (49)6228/1003

Doppelsteg Breitband-Hornantenne BBHA 9120 B Double Ridged Broadband Horn Antenna BBHA 9120 B



Technische Daten:

Bauart:
Linear polarisierte Doppelsteg
Breitband Hornantenne in
Aluminiumausführung für Empfangs-
und Sendeanwendungen.

Frequenzbereich, nominell:	1.5...10 GHz
Nutzbarer Frequenzbereich:	1 ... 10.5 GHz
Isotropgewinn:	5 ... 18 dBi
Antennenfaktor:	25 ... 33 dB/m
Impedanz, nominell:	50 Ω
Stehwellenverhältnis SWR typisch:	< 1.5
Stehwellenverhältnis SWR max.:	< 2.5 (f > 1.5 GHz)
Vor- Rückverhältnis:	typ. > 25 dB (f > 1.3 GHz)
Polarisationsentkopplung:	typ. > 25 dB
3 dB Öffnungswinkel typ.(E-Ebene):	$\approx 34^\circ$
3 dB Öffnungswinkel typ.(H-Ebene):	$\approx 32^\circ$
Max. Eingangsleistung:	300 W (cont.)
Anschlußart: N-Buchse	
Halterung: 22 mm Rohr, Rastring	
Breite x Länge x Höhe:	184 x 272 (480) x 128 mm
Gewicht:	1.2 kg

BBHA 9120 B

Specifications:

Type:
Linear polarized double ridged
broadband horn antenna for receive
and transmit applications made of
aluminium.

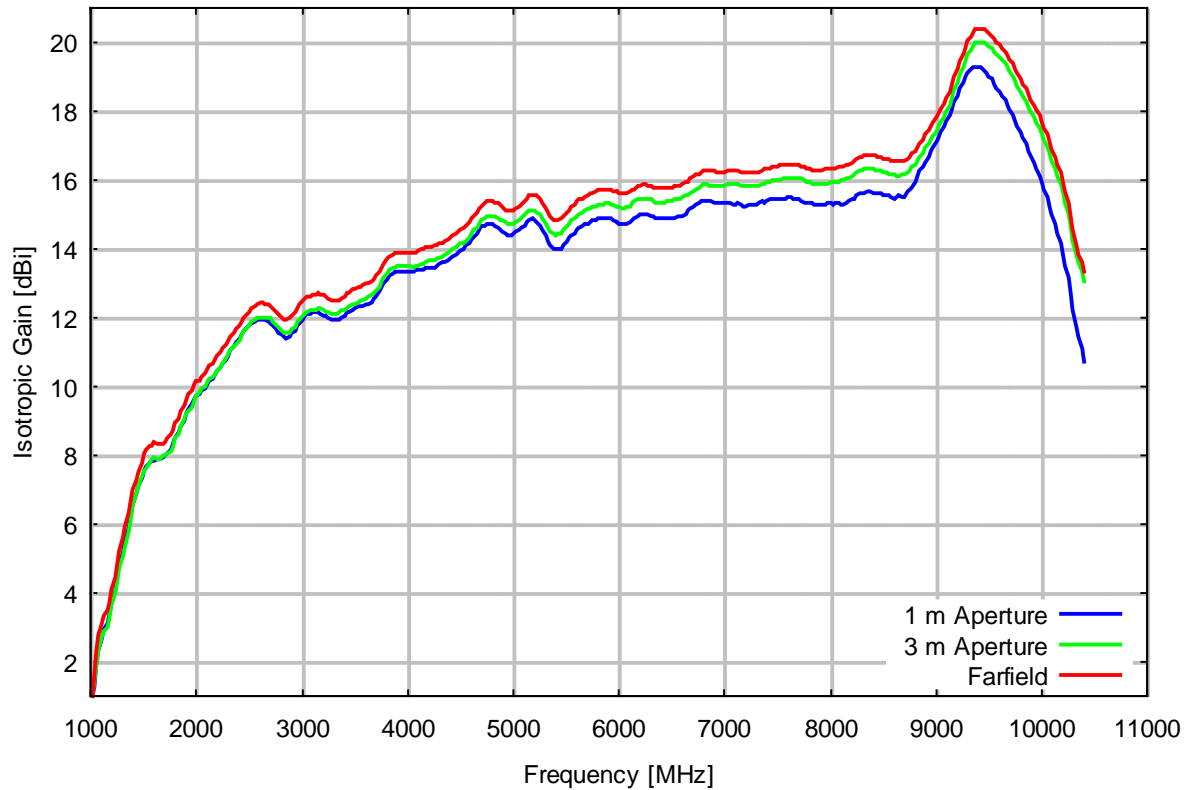
Nominal Frequency Range:	1.5...10 GHz
Usable Frequency Range:	1 ... 10.5 GHz
Isotropic Gain:	5 ... 18 dBi
Antenna Factor:	25 ... 33 dB/m
Nominal Impedance:	50 Ω
Standing Wave Ratio SWR typical:	< 1.5
Standing Wave Ratio SWR max.:	< 2.5 (f > 1.5 GHz)
Front to Back Ratio:	typ. > 25 dB (f > 1.3 GHz)
Cross Polarisation:	typ. > 25 dB
3 dB Beamwidth typ. (E-Plane):	$\approx 34^\circ$
3 dB Beamwidth typ. (H-Plane):	$\approx 32^\circ$
Max. Input Power:	300 W (cont.)
N-Connector female	
Mount: 22 mm Tube, Indexing Ring	
Width x Length x Height:	184 x 272 (480) x 128 mm
Weight:	1.2 kg

SCHWARZBECK MESS - ELEKTRONIK

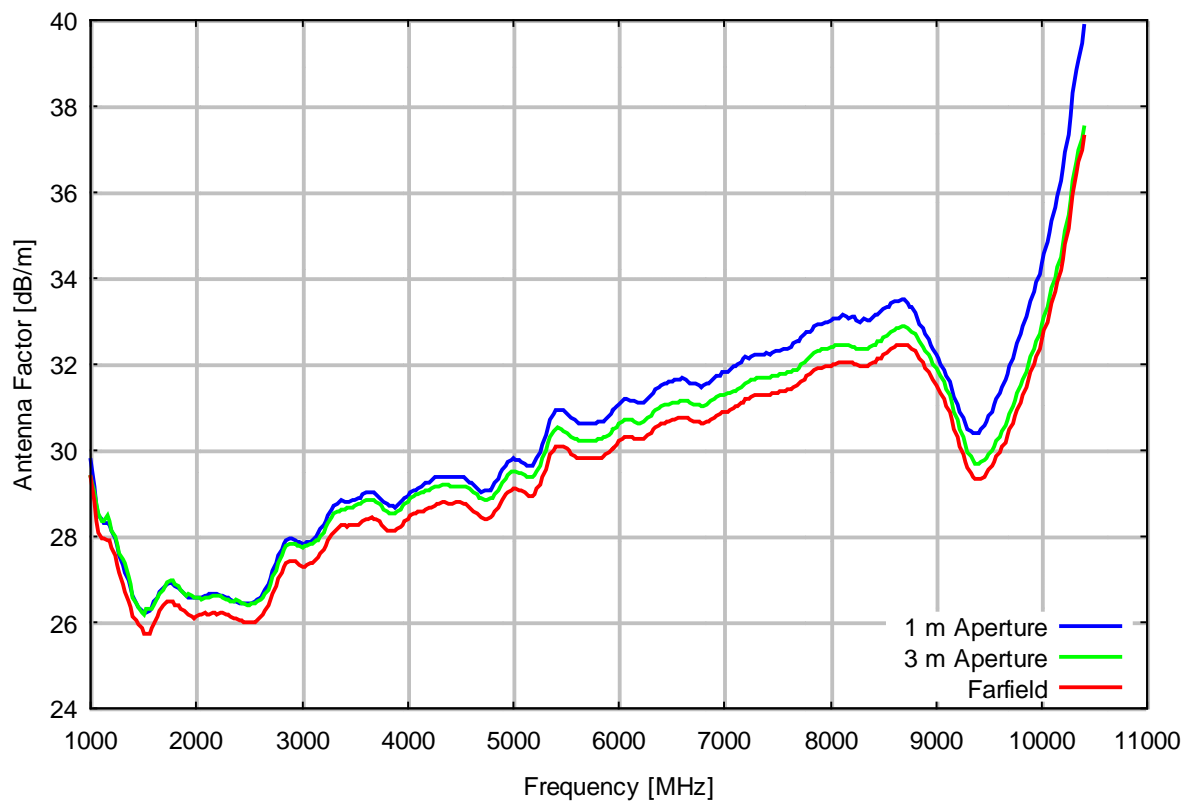
An der Klinge 29 D-69250 Schönau Tel.: 06228/1001 Fax.: (49)6228/1003

Doppelsteg Breitband-Hornantenne BBHA 9120 B Double Ridged Broadband Horn Antenna BBHA 9120 B

Isotropgewinn



Antennenwandlungsmaß



SCHWARZBECK MESS - ELEKTRONIK

An der Klinge 29 D-69250 Schönau Tel.: 06228/1001 Fax.: (49)6228/1003

Doppelsteg Breitband-Hornantenne BBHA 9120 B Double Ridged Broadband Horn Antenna BBHA 9120 B

Frequency	Gain(Isotr.) 1 m Apert.	Ant.-Factor 1 m Apert.	Gain(Isotr.) 3 m Apert.	Ant.-Factor 3 m Apert.	Gain(Isotr.) Farfield	Ant.-Factor Farfield
MHz	dBi	dB/m	dBi	dB/m	dBi	dB/m
1000.00	0.45	29.77	0.83	29.39	0.87	29.35
1025.00	1.28	29.15	1.42	29.01	1.67	28.77
1050.00	1.94	28.70	1.91	28.73	2.31	28.34
1075.00	2.35	28.50	2.34	28.51	2.78	28.07
1100.00	2.68	28.37	2.69	28.36	3.11	27.93
1125.00	2.92	28.32	2.88	28.36	3.31	27.93
1150.00	3.12	28.31	2.97	28.46	3.51	27.92
1175.00	3.37	28.25	3.26	28.36	3.71	27.91
1200.00	3.68	28.13	3.68	28.13	4.08	27.72
1225.00	4.03	27.96	4.00	27.98	4.45	27.53
1250.00	4.41	27.75	4.32	27.83	4.82	27.34
1275.00	4.80	27.53	4.73	27.60	5.19	27.14
1300.00	5.16	27.34	5.06	27.44	5.61	26.89
1325.00	5.50	27.17	5.31	27.35	5.94	26.72
1350.00	5.86	26.97	5.74	27.08	6.35	26.48
1375.00	6.21	26.78	6.10	26.88	6.64	26.35
1400.00	6.53	26.61	6.55	26.59	7.01	26.14
1425.00	6.86	26.44	6.86	26.44	7.26	26.03
1450.00	7.09	26.35	7.11	26.34	7.50	25.94
1475.00	7.34	26.26	7.39	26.20	7.75	25.84
1500.00	7.52	26.22	7.55	26.19	8.03	25.71
1525.00	7.66	26.23	7.59	26.30	8.18	25.71
1550.00	7.76	26.27	7.74	26.29	8.29	25.74
1575.00	7.82	26.34	7.86	26.30	8.29	25.87
1600.00	7.83	26.47	7.93	26.38	8.36	25.95
1625.00	7.86	26.58	7.85	26.58	8.33	26.11
1650.00	7.87	26.70	7.89	26.68	8.33	26.24
1675.00	7.92	26.78	7.97	26.73	8.32	26.38
1700.00	7.98	26.85	8.01	26.82	8.40	26.43
1725.00	8.05	26.90	8.02	26.93	8.48	26.47
1750.00	8.16	26.92	8.12	26.96	8.61	26.47
1775.00	8.33	26.87	8.23	26.97	8.73	26.47
1800.00	8.50	26.83	8.46	26.86	8.92	26.40
1825.00	8.67	26.78	8.60	26.84	9.04	26.41
1850.00	8.84	26.73	8.83	26.73	9.24	26.32
1875.00	9.01	26.67	9.04	26.64	9.41	26.27
1900.00	9.20	26.60	9.19	26.60	9.59	26.21
1925.00	9.34	26.57	9.27	26.64	9.74	26.17
1950.00	9.46	26.56	9.39	26.63	9.89	26.13
1975.00	9.58	26.56	9.54	26.59	10.03	26.10
2000.00	9.69	26.55	9.69	26.56	10.13	26.11
2025.00	9.79	26.56	9.80	26.55	10.18	26.17
2050.00	9.88	26.58	9.92	26.54	10.28	26.17
2075.00	9.95	26.62	10.01	26.55	10.36	26.20
2100.00	10.03	26.63	10.09	26.57	10.47	26.19
2125.00	10.13	26.64	10.19	26.58	10.57	26.19
2150.00	10.22	26.65	10.25	26.62	10.65	26.22
2175.00	10.32	26.65	10.33	26.63	10.77	26.20
2200.00	10.43	26.64	10.43	26.63	10.88	26.19
2225.00	10.53	26.63	10.55	26.62	10.96	26.21
2250.00	10.65	26.61	10.67	26.59	11.07	26.20

SCHWARZBECK MESS - ELEKTRONIK

An der Klinge 29 D-69250 Schönau Tel.: 06228/1001 Fax.: (49)6228/1003

Doppelsteg Breitband-Hornantenne BBHA 9120 B Double Ridged Broadband Horn Antenna BBHA 9120 B

Frequency	Gain(Isotr.) 1 m Apert.	Ant.-Factor 1 m Apert.	Gain(Isotr.) 3 m Apert.	Ant.-Factor 3 m Apert.	Gain(Isotr.) Farfield	Ant.-Factor Farfield
MHz	dBi	dB/m	dBi	dB/m	dBi	dB/m
2275.00	10.77	26.59	10.82	26.54	11.18	26.18
2300.00	10.89	26.56	10.94	26.51	11.31	26.15
2325.00	11.03	26.52	11.06	26.49	11.44	26.11
2350.00	11.14	26.50	11.14	26.50	11.54	26.10
2375.00	11.25	26.48	11.21	26.52	11.67	26.07
2400.00	11.36	26.46	11.33	26.50	11.78	26.04
2425.00	11.48	26.44	11.47	26.45	11.90	26.02
2450.00	11.58	26.42	11.57	26.43	11.99	26.01
2475.00	11.68	26.42	11.68	26.41	12.09	26.00
2500.00	11.75	26.43	11.76	26.41	12.17	26.01
2525.00	11.82	26.45	11.85	26.42	12.27	25.99
2550.00	11.88	26.47	11.93	26.42	12.34	26.01
2575.00	11.92	26.52	11.96	26.48	12.38	26.05
2600.00	11.94	26.58	11.97	26.54	12.41	26.11
2625.00	11.95	26.65	12.01	26.59	12.42	26.19
2650.00	11.93	26.76	12.01	26.68	12.40	26.28
2675.00	11.89	26.88	12.00	26.77	12.37	26.39
2700.00	11.83	27.02	11.96	26.89	12.33	26.52
2725.00	11.74	27.18	11.88	27.05	12.26	26.67
2750.00	11.64	27.36	11.79	27.21	12.17	26.84
2775.00	11.53	27.55	11.71	27.38	12.08	27.01
2800.00	11.46	27.70	11.60	27.56	12.01	27.15
2825.00	11.42	27.82	11.55	27.69	11.95	27.29
2850.00	11.40	27.91	11.54	27.78	11.95	27.37
2875.00	11.44	27.96	11.56	27.83	11.97	27.43
2900.00	11.52	27.95	11.64	27.83	12.04	27.43
2925.00	11.62	27.92	11.73	27.81	12.15	27.40
2950.00	11.75	27.87	11.85	27.77	12.27	27.35
2975.00	11.84	27.85	11.94	27.75	12.36	27.33
3000.00	11.94	27.82	12.02	27.74	12.46	27.30
3025.00	12.03	27.81	12.08	27.75	12.53	27.30
3050.00	12.07	27.84	12.15	27.76	12.59	27.31
3075.00	12.11	27.87	12.18	27.80	12.60	27.38
3100.00	12.14	27.91	12.22	27.83	12.65	27.39
3125.00	12.14	27.98	12.23	27.89	12.66	27.45
3150.00	12.13	28.06	12.28	27.91	12.68	27.51
3175.00	12.09	28.17	12.26	28.00	12.65	27.60
3200.00	12.06	28.26	12.22	28.10	12.65	27.67
3225.00	12.03	28.36	12.17	28.22	12.60	27.79
3250.00	11.96	28.50	12.16	28.30	12.55	27.91
3275.00	11.92	28.61	12.10	28.42	12.49	28.03
3300.00	11.91	28.68	12.07	28.52	12.49	28.10
3325.00	11.92	28.74	12.08	28.58	12.48	28.17
3350.00	11.94	28.78	12.14	28.58	12.50	28.22
3375.00	11.97	28.82	12.18	28.61	12.54	28.24
3400.00	12.04	28.81	12.23	28.62	12.61	28.24
3425.00	12.13	28.79	12.28	28.64	12.68	28.23
3450.00	12.17	28.81	12.33	28.65	12.73	28.25
3475.00	12.21	28.83	12.37	28.67	12.79	28.25
3500.00	12.27	28.83	12.39	28.71	12.84	28.26
3525.00	12.31	28.86	12.43	28.73	12.89	28.28
3550.00	12.32	28.90	12.47	28.75	12.90	28.32

SCHWARZBECK MESS - ELEKTRONIK

An der Klinge 29 D-69250 Schönau Tel.: 06228/1001 Fax.: (49)6228/1003

Doppelsteg Breitband-Hornantenne BBHA 9120 B *Double Ridged Broadband Horn Antenna BBHA 9120 B*

Frequency	Gain(Isotr.) 1 m Apert.	Ant.-Factor 1 m Apert.	Gain(Isotr.) 3 m Apert.	Ant.-Factor 3 m Apert.	Gain(Isotr.) Farfield	Ant.-Factor Farfield
MHz	dBi	dB/m	dBi	dB/m	dBi	dB/m
3575.00	12.32	28.96	12.49	28.79	12.94	28.34
3600.00	12.35	29.00	12.52	28.83	12.97	28.37
3625.00	12.40	29.00	12.58	28.83	13.01	28.40
3650.00	12.45	29.02	12.63	28.84	13.04	28.42
3675.00	12.52	29.01	12.69	28.84	13.12	28.41
3700.00	12.62	28.96	12.77	28.81	13.20	28.38
3725.00	12.74	28.90	12.89	28.75	13.30	28.34
3750.00	12.86	28.84	13.02	28.68	13.42	28.28
3775.00	12.98	28.78	13.15	28.61	13.56	28.20
3800.00	13.08	28.73	13.26	28.56	13.68	28.14
3825.00	13.18	28.70	13.36	28.52	13.75	28.12
3850.00	13.25	28.68	13.41	28.52	13.80	28.12
3875.00	13.31	28.67	13.44	28.54	13.85	28.14
3900.00	13.33	28.71	13.47	28.58	13.86	28.18
3925.00	13.32	28.77	13.47	28.62	13.87	28.22
3950.00	13.33	28.83	13.46	28.69	13.87	28.28
3975.00	13.34	28.86	13.46	28.75	13.86	28.34
4000.00	13.34	28.92	13.46	28.80	13.87	28.39
4025.00	13.31	29.01	13.46	28.86	13.86	28.46
4050.00	13.30	29.07	13.45	28.92	13.86	28.51
4075.00	13.35	29.07	13.47	28.95	13.89	28.53
4100.00	13.39	29.08	13.49	28.98	13.92	28.55
4125.00	13.39	29.14	13.52	29.01	13.96	28.57
4150.00	13.37	29.21	13.55	29.03	14.00	28.58
4175.00	13.41	29.23	13.59	29.04	14.03	28.61
4200.00	13.44	29.24	13.63	29.05	14.05	28.64
4225.00	13.45	29.29	13.65	29.08	14.06	28.67
4250.00	13.44	29.35	13.66	29.13	14.07	28.71
4275.00	13.47	29.37	13.70	29.14	14.10	28.73
4300.00	13.52	29.37	13.73	29.16	14.13	28.76
4325.00	13.57	29.37	13.76	29.18	14.16	28.78
4350.00	13.61	29.38	13.80	29.19	14.22	28.77
4375.00	13.66	29.38	13.86	29.18	14.28	28.76
4400.00	13.71	29.38	13.93	29.16	14.34	28.75
4425.00	13.75	29.39	13.98	29.16	14.38	28.76
4450.00	13.81	29.37	14.02	29.16	14.42	28.77
4475.00	13.87	29.36	14.08	29.16	14.46	28.78
4500.00	13.92	29.37	14.13	29.15	14.52	28.77
4525.00	13.98	29.36	14.17	29.16	14.58	28.75
4550.00	14.07	29.31	14.22	29.16	14.65	28.73
4575.00	14.17	29.25	14.31	29.12	14.75	28.67
4600.00	14.26	29.22	14.41	29.06	14.85	28.63
4625.00	14.34	29.18	14.52	29.00	14.94	28.58
4650.00	14.45	29.12	14.62	28.95	15.04	28.53
4675.00	14.56	29.06	14.71	28.90	15.13	28.48
4700.00	14.63	29.03	14.80	28.86	15.22	28.45
4725.00	14.67	29.04	14.86	28.85	15.30	28.41
4750.00	14.71	29.04	14.91	28.85	15.35	28.40
4775.00	14.73	29.07	14.93	28.87	15.38	28.42
4800.00	14.71	29.14	14.94	28.90	15.37	28.48
4825.00	14.66	29.23	14.93	28.96	15.34	28.55
4850.00	14.60	29.33	14.89	29.05	15.29	28.64

SCHWARZBECK MESS - ELEKTRONIK

An der Klinge 29 D-69250 Schönau Tel.: 06228/1001 Fax.: (49)6228/1003

Doppelsteg Breitband-Hornantenne BBHA 9120 B Double Ridged Broadband Horn Antenna BBHA 9120 B

Frequency	Gain(Isotr.) 1 m Apert.	Ant.-Factor 1 m Apert.	Gain(Isotr.) 3 m Apert.	Ant.-Factor 3 m Apert.	Gain(Isotr.) Farfield	Ant.-Factor Farfield
MHz	dBi	dB/m	dBi	dB/m	dBi	dB/m
4875.00	14.54	29.44	14.84	29.14	15.24	28.74
4900.00	14.47	29.55	14.79	29.23	15.18	28.85
4925.00	14.42	29.65	14.74	29.33	15.12	28.95
4950.00	14.39	29.72	14.69	29.42	15.09	29.03
4975.00	14.38	29.77	14.68	29.48	15.09	29.07
5000.00	14.40	29.80	14.70	29.50	15.11	29.09
5025.00	14.46	29.79	14.75	29.50	15.15	29.09
5050.00	14.54	29.75	14.81	29.47	15.21	29.07
5075.00	14.60	29.73	14.89	29.44	15.28	29.05
5100.00	14.67	29.70	14.97	29.40	15.36	29.01
5125.00	14.76	29.65	15.04	29.37	15.45	28.97
5150.00	14.84	29.62	15.09	29.36	15.51	28.94
5175.00	14.86	29.64	15.12	29.38	15.56	28.94
5200.00	14.82	29.72	15.11	29.43	15.55	28.99
5225.00	14.76	29.82	15.06	29.52	15.51	29.08
5250.00	14.67	29.95	14.98	29.65	15.41	29.21
5275.00	14.54	30.12	14.86	29.80	15.29	29.37
5300.00	14.37	30.33	14.73	29.97	15.15	29.56
5325.00	14.22	30.53	14.60	30.15	15.02	29.73
5350.00	14.09	30.70	14.48	30.31	14.90	29.88
5375.00	14.01	30.82	14.40	30.42	14.83	30.00
5400.00	13.96	30.91	14.38	30.49	14.79	30.08
5425.00	13.96	30.94	14.40	30.51	14.81	30.10
5450.00	14.01	30.94	14.45	30.49	14.85	30.09
5475.00	14.08	30.91	14.54	30.45	14.93	30.06
5500.00	14.19	30.84	14.63	30.40	15.01	30.02
5525.00	14.29	30.78	14.72	30.35	15.10	29.97
5550.00	14.37	30.74	14.81	30.30	15.18	29.92
5575.00	14.45	30.69	14.87	30.27	15.28	29.87
5600.00	14.54	30.64	14.94	30.24	15.35	29.83
5625.00	14.62	30.60	15.00	30.22	15.41	29.82
5650.00	14.67	30.59	15.04	30.22	15.45	29.81
5675.00	14.68	30.62	15.09	30.21	15.50	29.80
5700.00	14.73	30.61	15.13	30.21	15.54	29.80
5725.00	14.78	30.60	15.16	30.22	15.57	29.80
5750.00	14.80	30.61	15.20	30.22	15.60	29.81
5775.00	14.82	30.63	15.22	30.23	15.65	29.80
5800.00	14.85	30.64	15.24	30.25	15.68	29.81
5825.00	14.87	30.65	15.26	30.26	15.71	29.82
5850.00	14.89	30.67	15.28	30.28	15.72	29.85
5875.00	14.88	30.72	15.29	30.31	15.72	29.88
5900.00	14.87	30.77	15.29	30.35	15.71	29.93
5925.00	14.85	30.83	15.27	30.41	15.69	29.98
5950.00	14.79	30.92	15.24	30.47	15.66	30.05
5975.00	14.76	30.99	15.22	30.52	15.62	30.12
6000.00	14.73	31.06	15.19	30.59	15.59	30.20
6025.00	14.69	31.13	15.17	30.65	15.57	30.25
6050.00	14.69	31.17	15.17	30.69	15.57	30.28
6075.00	14.72	31.17	15.19	30.70	15.60	30.29
6100.00	14.77	31.16	15.23	30.69	15.62	30.31
6125.00	14.82	31.15	15.29	30.68	15.68	30.29
6150.00	14.87	31.13	15.35	30.65	15.73	30.26

SCHWARZBECK MESS - ELEKTRONIK

An der Klinge 29 D-69250 Schönau Tel.: 06228/1001 Fax.: (49)6228/1003

Doppelsteg Breitband-Hornantenne BBHA 9120 B Double Ridged Broadband Horn Antenna BBHA 9120 B

Frequency	Gain(Isotr.) 1 m Apert.	Ant.-Factor 1 m Apert.	Gain(Isotr.) 3 m Apert.	Ant.-Factor 3 m Apert.	Gain(Isotr.) Farfield	Ant.-Factor Farfield
MHz	dBi	dB/m	dBi	dB/m	dBi	dB/m
6175.00	14.94	31.10	15.40	30.63	15.79	30.24
6200.00	14.99	31.08	15.43	30.63	15.83	30.24
6225.00	14.99	31.11	15.45	30.66	15.86	30.24
6250.00	14.97	31.16	15.44	30.70	15.85	30.28
6275.00	14.97	31.20	15.42	30.75	15.84	30.33
6300.00	14.95	31.26	15.40	30.81	15.81	30.40
6325.00	14.91	31.34	15.36	30.88	15.78	30.46
6350.00	14.87	31.41	15.34	30.93	15.76	30.51
6375.00	14.86	31.45	15.34	30.97	15.75	30.56
6400.00	14.86	31.49	15.34	31.00	15.75	30.59
6425.00	14.85	31.53	15.34	31.04	15.76	30.62
6450.00	14.85	31.56	15.35	31.07	15.76	30.65
6475.00	14.87	31.58	15.37	31.07	15.77	30.67
6500.00	14.87	31.61	15.38	31.09	15.78	30.70
6525.00	14.88	31.63	15.40	31.11	15.79	30.72
6550.00	14.91	31.63	15.42	31.12	15.81	30.74
6575.00	14.93	31.64	15.45	31.13	15.83	30.75
6600.00	14.95	31.66	15.48	31.13	15.85	30.76
6625.00	15.00	31.65	15.51	31.14	15.90	30.74
6650.00	15.08	31.59	15.55	31.13	15.95	30.73
6675.00	15.15	31.56	15.61	31.10	16.01	30.70
6700.00	15.19	31.55	15.67	31.07	16.07	30.67
6725.00	15.24	31.53	15.72	31.06	16.12	30.65
6750.00	15.33	31.48	15.76	31.04	16.17	30.64
6775.00	15.38	31.46	15.81	31.02	16.22	30.62
6800.00	15.37	31.50	15.85	31.02	16.25	30.62
6825.00	15.37	31.54	15.85	31.05	16.26	30.64
6850.00	15.38	31.55	15.84	31.09	16.26	30.67
6875.00	15.37	31.60	15.84	31.13	16.25	30.71
6900.00	15.34	31.66	15.82	31.18	16.24	30.76
6925.00	15.32	31.71	15.81	31.22	16.22	30.81
6950.00	15.32	31.74	15.80	31.26	16.22	30.84
6975.00	15.30	31.79	15.82	31.27	16.22	30.87
7000.00	15.30	31.82	15.83	31.29	16.23	30.89
7025.00	15.32	31.83	15.85	31.30	16.25	30.90
7050.00	15.31	31.87	15.85	31.33	16.26	30.93
7075.00	15.28	31.93	15.87	31.35	16.27	30.95
7100.00	15.28	31.96	15.87	31.38	16.25	30.99
7125.00	15.30	31.98	15.85	31.43	16.25	31.03
7150.00	15.27	32.04	15.83	31.47	16.22	31.08
7175.00	15.22	32.12	15.82	31.52	16.21	31.12
7200.00	15.22	32.15	15.81	31.56	16.19	31.17
7225.00	15.25	32.14	15.80	31.59	16.18	31.21
7250.00	15.26	32.16	15.80	31.63	16.18	31.24
7275.00	15.24	32.22	15.81	31.64	16.19	31.26
7300.00	15.26	32.23	15.83	31.66	16.20	31.28
7325.00	15.32	32.19	15.84	31.67	16.23	31.28
7350.00	15.35	32.19	15.88	31.67	16.27	31.28
7375.00	15.34	32.23	15.89	31.68	16.29	31.29
7400.00	15.37	32.24	15.92	31.68	16.32	31.29
7425.00	15.40	32.23	15.94	31.69	16.34	31.29
7450.00	15.41	32.25	15.96	31.70	16.37	31.30

SCHWARZBECK MESS - ELEKTRONIK

An der Klinge 29 D-69250 Schönau Tel.: 06228/1001 Fax.: (49)6228/1003

Doppelsteg Breitband-Hornantenne BBHA 9120 B Double Ridged Broadband Horn Antenna BBHA 9120 B

Frequency	Gain(Isotr.) 1 m Apert.	Ant.-Factor 1 m Apert.	Gain(Isotr.) 3 m Apert.	Ant.-Factor 3 m Apert.	Gain(Isotr.) Farfield	Ant.-Factor Farfield
MHz	dBi	dB/m	dBi	dB/m	dBi	dB/m
7475.00	15.41	32.28	15.99	31.70	16.38	31.31
7500.00	15.43	32.29	15.99	31.73	16.39	31.33
7525.00	15.44	32.31	16.00	31.75	16.40	31.35
7550.00	15.43	32.35	16.02	31.76	16.41	31.37
7575.00	15.45	32.36	16.03	31.78	16.42	31.38
7600.00	15.48	32.36	16.04	31.79	16.43	31.40
7625.00	15.46	32.40	16.05	31.82	16.44	31.42
7650.00	15.41	32.48	16.05	31.84	16.44	31.46
7675.00	15.41	32.51	16.05	31.87	16.43	31.49
7700.00	15.43	32.52	16.04	31.91	16.41	31.54
7725.00	15.39	32.59	16.01	31.97	16.39	31.59
7750.00	15.31	32.69	15.98	32.03	16.36	31.65
7775.00	15.30	32.74	15.95	32.09	16.32	31.71
7800.00	15.31	32.75	15.92	32.15	16.30	31.77
7825.00	15.29	32.80	15.89	32.20	16.28	31.81
7850.00	15.24	32.88	15.88	32.24	16.27	31.85
7875.00	15.24	32.90	15.87	32.28	16.26	31.89
7900.00	15.27	32.90	15.87	32.30	16.26	31.91
7925.00	15.28	32.92	15.87	32.33	16.28	31.92
7950.00	15.27	32.95	15.89	32.34	16.29	31.93
7975.00	15.29	32.96	15.89	32.36	16.31	31.95
8000.00	15.29	32.99	15.90	32.38	16.32	31.96
8025.00	15.27	33.04	15.92	32.39	16.34	31.97
8050.00	15.29	33.04	15.92	32.41	16.34	31.99
8075.00	15.30	33.06	15.95	32.42	16.36	32.01
8100.00	15.27	33.11	15.96	32.43	16.36	32.03
8125.00	15.27	33.15	15.98	32.43	16.37	32.05
8150.00	15.34	33.10	16.02	32.42	16.40	32.04
8175.00	15.39	33.07	16.05	32.42	16.43	32.04
8200.00	15.41	33.09	16.09	32.40	16.48	32.01
8225.00	15.43	33.09	16.14	32.38	16.53	31.99
8250.00	15.53	33.02	16.19	32.36	16.58	31.97
8275.00	15.59	32.98	16.24	32.33	16.62	31.95
8300.00	15.59	33.01	16.27	32.33	16.66	31.94
8325.00	15.59	33.04	16.30	32.33	16.68	31.95
8350.00	15.65	33.01	16.32	32.34	16.70	31.96
8375.00	15.66	33.02	16.31	32.37	16.70	31.98
8400.00	15.61	33.10	16.29	32.41	16.69	32.02
8425.00	15.59	33.14	16.28	32.45	16.68	32.05
8450.00	15.61	33.15	16.26	32.50	16.66	32.10
8475.00	15.57	33.21	16.25	32.53	16.64	32.14
8500.00	15.52	33.29	16.22	32.59	16.61	32.20
8525.00	15.52	33.31	16.19	32.64	16.59	32.24
8550.00	15.52	33.34	16.16	32.70	16.57	32.29
8575.00	15.47	33.41	16.14	32.74	16.55	32.34
8600.00	15.44	33.47	16.12	32.79	16.53	32.38
8625.00	15.49	33.45	16.11	32.83	16.52	32.41
8650.00	15.51	33.46	16.11	32.85	16.53	32.43
8675.00	15.48	33.51	16.12	32.87	16.54	32.44
8700.00	15.50	33.51	16.14	32.87	16.56	32.45
8725.00	15.63	33.40	16.20	32.84	16.60	32.44
8750.00	15.73	33.33	16.26	32.80	16.67	32.39

SCHWARZBECK MESS - ELEKTRONIK

An der Klinge 29 D-69250 Schönau Tel.: 06228/1001 Fax.: (49)6228/1003

Doppelsteg Breitband-Hornantenne BBHA 9120 B Double Ridged Broadband Horn Antenna BBHA 9120 B

Frequency	Gain(Isotr.) 1 m Apert.	Ant.-Factor 1 m Apert.	Gain(Isotr.) 3 m Apert.	Ant.-Factor 3 m Apert.	Gain(Isotr.) Farfield	Ant.-Factor Farfield
MHz	dBi	dB/m	dBi	dB/m	dBi	dB/m
8775.00	15.78	33.30	16.35	32.74	16.73	32.35
8800.00	15.91	33.20	16.43	32.68	16.83	32.28
8825.00	16.10	33.04	16.55	32.59	16.93	32.21
8850.00	16.24	32.91	16.66	32.50	17.05	32.11
8875.00	16.36	32.83	16.78	32.40	17.17	32.01
8900.00	16.50	32.70	16.92	32.29	17.29	31.92
8925.00	16.66	32.57	17.03	32.20	17.41	31.82
8950.00	16.81	32.44	17.15	32.10	17.54	31.72
8975.00	16.94	32.34	17.28	32.00	17.66	31.62
9000.00	17.07	32.23	17.39	31.91	17.79	31.51
9025.00	17.21	32.12	17.52	31.80	17.92	31.41
9050.00	17.36	32.00	17.66	31.70	18.05	31.30
9075.00	17.51	31.87	17.81	31.57	18.20	31.18
9100.00	17.68	31.72	17.98	31.42	18.37	31.03
9125.00	17.85	31.57	18.16	31.27	18.55	30.87
9150.00	18.03	31.42	18.36	31.09	18.76	30.69
9175.00	18.23	31.24	18.58	30.89	18.97	30.50
9200.00	18.44	31.05	18.80	30.70	19.19	30.30
9225.00	18.63	30.89	19.03	30.49	19.42	30.10
9250.00	18.79	30.75	19.25	30.29	19.64	29.90
9275.00	18.95	30.61	19.44	30.12	19.83	29.73
9300.00	19.10	30.49	19.63	29.96	20.01	29.58
9325.00	19.19	30.42	19.77	29.84	20.16	29.45
9350.00	19.24	30.40	19.88	29.75	20.26	29.37
9375.00	19.27	30.39	19.96	29.70	20.34	29.32
9400.00	19.28	30.41	20.00	29.68	20.38	29.31
9425.00	19.23	30.47	20.00	29.71	20.37	29.33
9450.00	19.17	30.56	19.98	29.75	20.35	29.37
9475.00	19.09	30.67	19.93	29.82	20.31	29.44
9500.00	18.99	30.78	19.87	29.90	20.24	29.53
9525.00	18.90	30.90	19.80	30.00	20.17	29.63
9550.00	18.78	31.04	19.72	30.10	20.09	29.73
9575.00	18.67	31.17	19.63	30.21	20.00	29.84
9600.00	18.55	31.31	19.55	30.31	19.91	29.95
9625.00	18.42	31.46	19.46	30.42	19.82	30.07
9650.00	18.29	31.62	19.36	30.55	19.72	30.19
9675.00	18.16	31.77	19.24	30.69	19.61	30.33
9700.00	18.01	31.94	19.13	30.83	19.49	30.46
9725.00	17.84	32.14	18.99	30.99	19.36	30.62
9750.00	17.68	32.32	18.85	31.15	19.22	30.78
9775.00	17.53	32.49	18.71	31.31	19.08	30.94
9800.00	17.36	32.68	18.56	31.49	18.93	31.12
9825.00	17.19	32.88	18.42	31.65	18.78	31.29
9850.00	17.01	33.08	18.27	31.82	18.63	31.46
9875.00	16.84	33.27	18.11	32.00	18.46	31.65
9900.00	16.68	33.45	17.97	32.17	18.32	31.81
9925.00	16.49	33.67	17.82	32.34	18.17	31.99
9950.00	16.29	33.88	17.66	32.52	18.01	32.17
9975.00	16.11	34.09	17.49	32.71	17.84	32.36
10000.00	15.90	34.32	17.30	32.92	17.65	32.57
10025.00	15.68	34.56	17.13	33.11	17.47	32.78
10050.00	15.46	34.81	16.95	33.31	17.29	32.97

SCHWARZBECK MESS - ELEKTRONIK

An der Klinge 29 D-69250 Schönau Tel.: 06228/1001 Fax.: (49)6228/1003

Doppelsteg Breitband-Hornantenne BBHA 9120 B Double Ridged Broadband Horn Antenna BBHA 9120 B

Frequency	Gain(Isotr.) 1 m Apert.	Ant.-Factor 1 m Apert.	Gain(Isotr.) 3 m Apert.	Ant.-Factor 3 m Apert.	Gain(Isotr.) Farfield	Ant.-Factor Farfield
MHz	dBi	dB/m	dBi	dB/m	dBi	dB/m
10075.00	15.22	35.07	16.76	33.53	17.09	33.20
10100.00	14.97	35.34	16.55	33.76	16.89	33.42
10125.00	14.72	35.61	16.34	33.99	16.67	33.66
10150.00	14.44	35.91	16.11	34.24	16.44	33.91
10175.00	14.15	36.23	15.88	34.49	16.21	34.16
10200.00	13.82	36.57	15.62	34.77	15.95	34.44
10225.00	13.49	36.92	15.32	35.09	15.64	34.77
10250.00	13.13	37.31	14.99	35.44	15.30	35.13
10275.00	12.70	37.75	14.64	35.81	14.93	35.52
10300.00	12.19	38.29	14.23	36.25	14.53	35.95
10325.00	11.68	38.81	13.80	36.69	14.08	36.42
10350.00	11.45	39.06	13.57	36.95	13.83	36.69
10375.00	11.10	39.43	13.31	37.23	13.57	36.97
10400.00	10.71	39.85	13.05	37.51	13.30	37.26

Stehwellenverhältnis

