

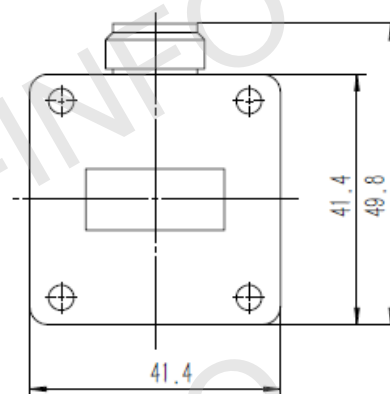
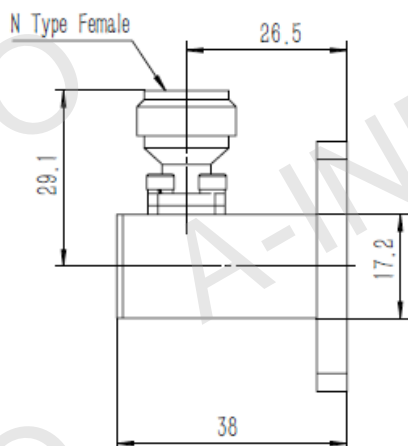
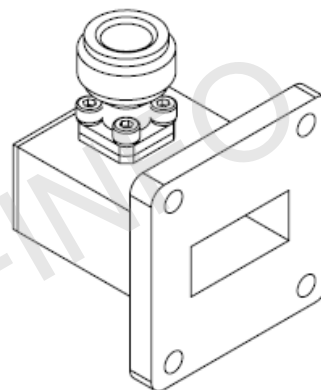
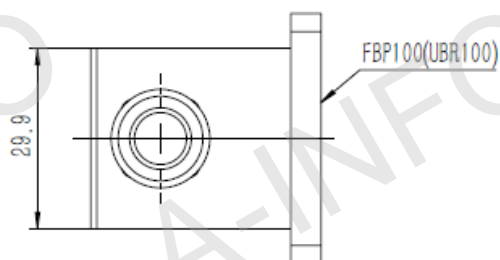
Technical Specification



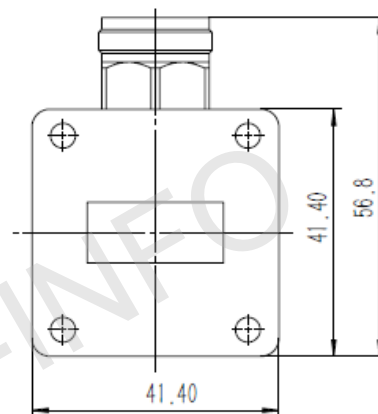
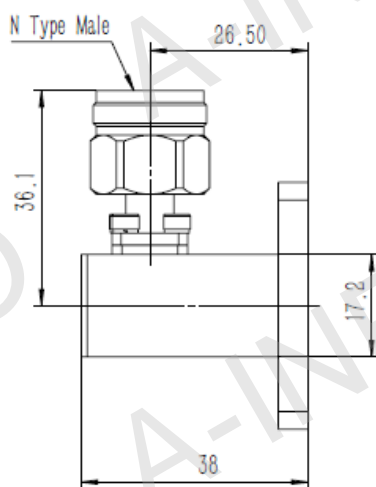
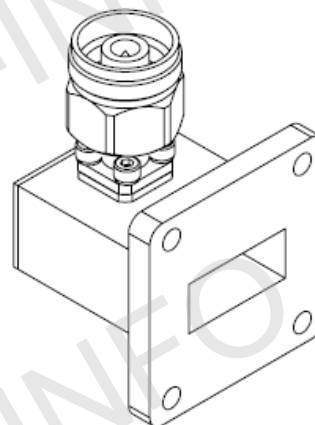
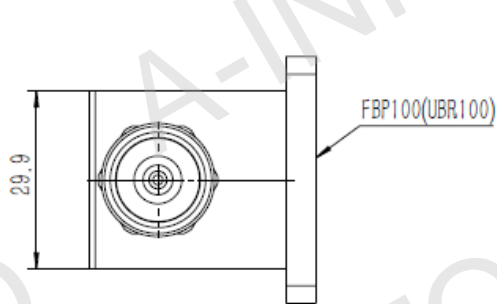
Frequency Range(GHz)	8.2 - 12.4
VSWR	1.25
Theoretical Insertion Loss(dB)	0.21 Max.
Connector	N-F/N-M
Waveguide	WR90
Flange	FBP100(UBR100)
Material	Al
Net Weight(Kg)	0.06 Around

Outline Drawing (Size: mm)

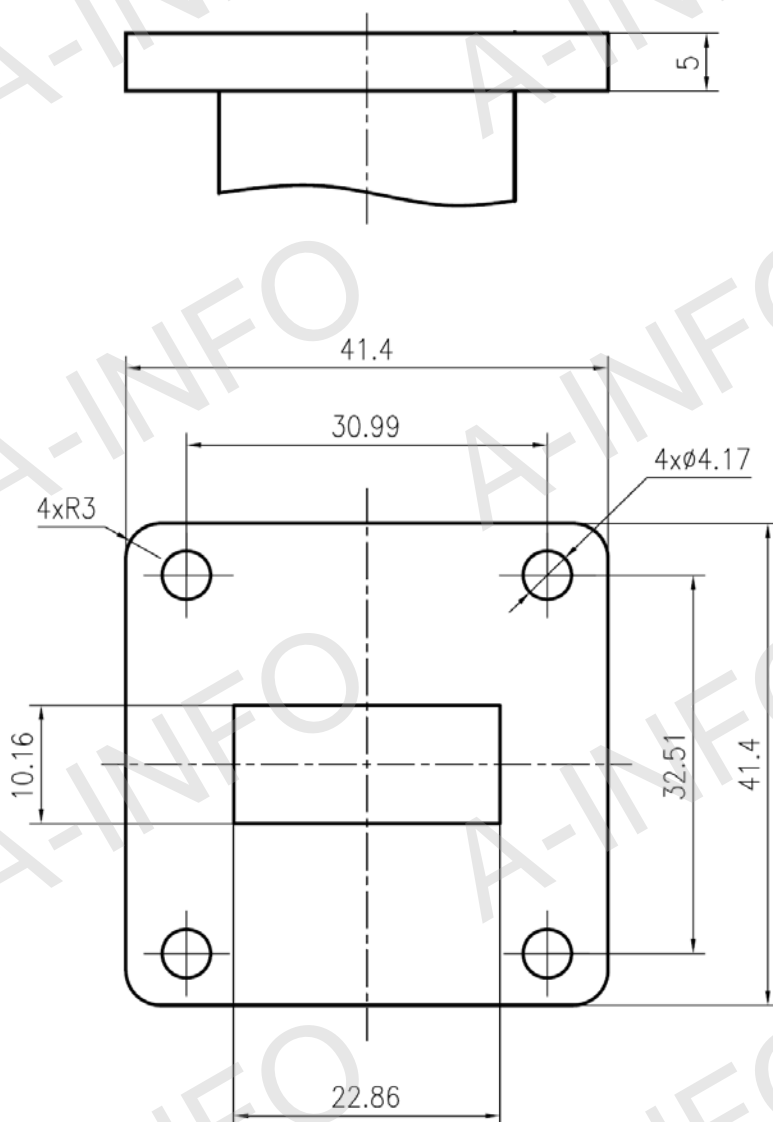
90WCAN (With N Type Female Output)



90WCANM (With N Type Male Output)



Flange Drawing



FBP100

Test Results

VSWR

