

SMA Female to SMA Female Bulkhead Adapter

SMA female to SMA female bulkhead adapter part number SM4955A from Fairview Microwave is in-stock and ships same day. This Fairview SMA to SMA adapter has a female to female gender configuration. SM4955A SMA female to SMA female adapter operates to 18 GHz. The Fairview Microwave RF adapter provides excellent VSWR of 1.2:1 maximum. The SMA connector mates mechanically with commercially available 3.5mm and 2.92mm (K) connectors. Our RF SMA to SMA bulkhead adapter allows designers to create external connections on their product enclosures, and can be used in a variety of other rack mount and panel mount applications.

RF adapters can be used to enable connections between two connector types that would otherwise not mate. Certain RF adapter configurations can also be used to protect connectors on expensive equipment where the number of connect and disconnect cycles is high. An RF, microwave, or millimeter wave adapter is connected to the equipment and the commonly changed connection is made with the adapter which can be easily replaced when it wears out after high usage; such adapters are referred to as connector savers. Fairview Microwave also offers bulkhead, panel mount, hermetically sealed, reverse polarity, and isolated ground adapter varieties to serve all of your RF, microwave and millimeter wave needs.

Electrical Specifications

| Description | Min | Typ | Max | Units |
|-----------------|-----|-----|-------|-------|
| Frequency Range | DC | | 18 | GHz |
| VSWR | | | 1.2:1 | |

Electrical Specification Notes:
Values at 25°C, sea level.

Mechanical Specifications

| | |
|-------------|---------------------|
| Size | |
| Length | 0.875 in [22.23 mm] |
| Weight | 0.0121 lbs [5.49 g] |

| Description | Connector 1 | Connector 2 |
|-------------------------|-------------|-------------|
| Type | SMA Female | SMA Female |
| Polarity | Standard | Standard |
| Interface Specification | MIL-STD-348 | MIL-STD-348 |
| Mating Cycles | 500 | 500 |

Material Specifications

| Description | Connector 1 | Connector 2 |
|------------------------|----------------------------|----------------------------|
| Type | SMA Female | SMA Female |
| Contact Material | Beryllium Copper | Beryllium Copper |
| Contact Plating | Gold | Gold |
| Contact Plating Spec. | MIL-G-45204 | MIL-G-45204 |
| Insulation Material | PTFE | PTFE |
| Outer Contact Material | Passivated Stainless Steel | Passivated Stainless Steel |



Configuration:

- SMA Female Connector 1
- SMA Female Connector 2
- 50 Ohm
- Straight Body Geometry
- Bulkhead Mount Method

Features:

- VSWR of 1.2:1 max up to 18 GHz
- SMA interface meets MIL-STD-348
- Contact plating according to MIL-G-45204
- Gold Plated Beryllium Copper Contact

Applications:

- General Purpose Test
- Rack Mounted Equipment

Fairview Microwave
301 Leora Ln., Suite 100
Lewisville, TX 75056
Tel: 1-800-715-4396 / (972) 649-6678
Fax: (972) 649-6689
www.fairviewmicrowave.com
sales@fairviewmicrowave.com

Environmental Specifications

Temperature

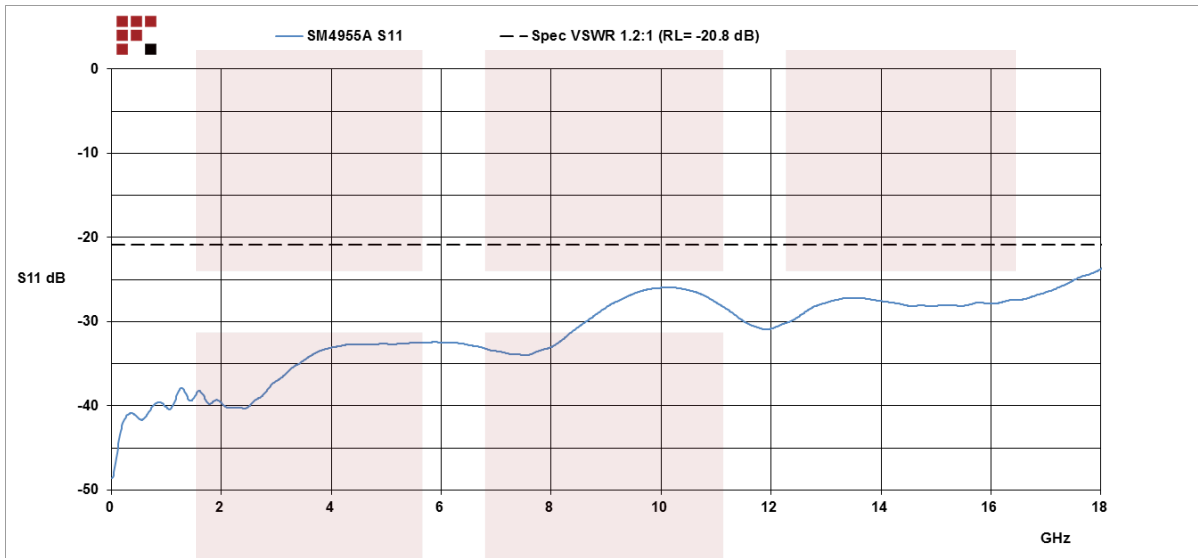
Operating Range -55 to +100 deg C

Compliance Certifications (see [product page](#) for current document)

Plotted and Other Data

Notes:

Typical Performance Data

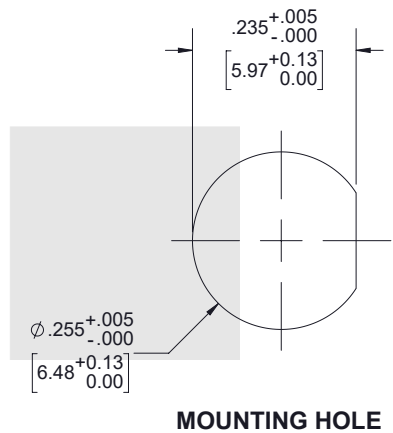
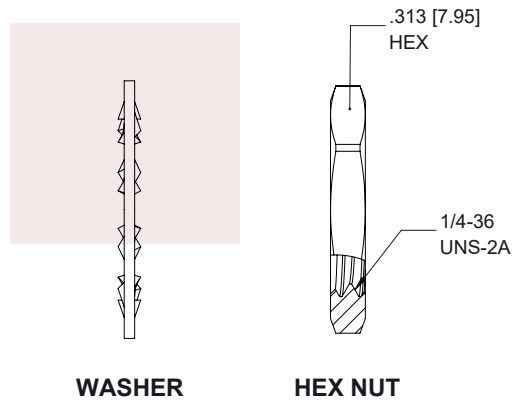
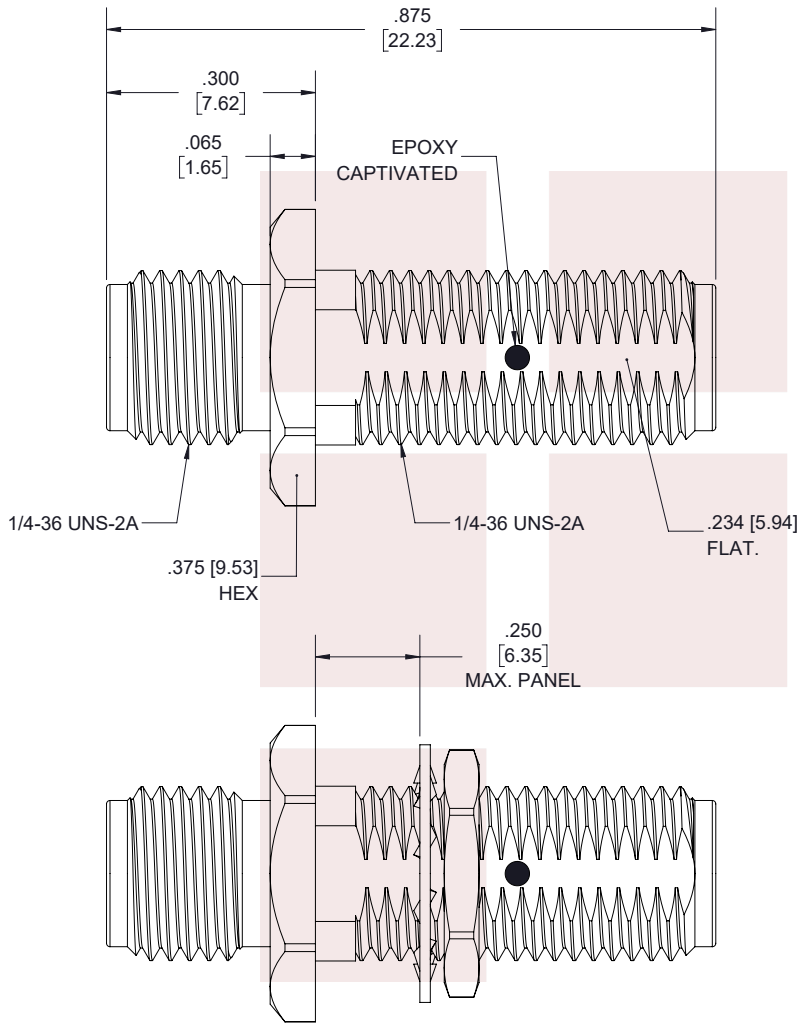
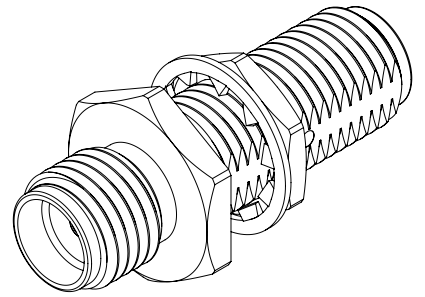


SMA Female to SMA Female Bulkhead Adapter from Fairview Microwave is in-stock and available to ship same-day. All of our RF/microwave products are available off-the-shelf from our ISO 9001:2008 certified facilities in Allen, Texas. Fairview Microwave is RF on-demand.

For additional information on this product, please click the following link: [SMA Female to SMA Female Bulkhead Adapter SM4955A](#)

URL: <https://www.fairviewmicrowave.com/sma-female-sma-female-bulkhead-adapter-sm4955a-p.aspx>

The information contained in this document is accurate to the best of our knowledge and representative of the part described herein. It may be necessary to make modifications to the part and/or the documentation of the part, in order to implement improvements. Fairview Microwave reserves the right to make such changes as required. Unless otherwise stated, all specifications are nominal. Fairview Microwave does not make any representation or warranty regarding the suitability of the part described herein for any particular purpose, and Fairview Microwave does not assume any liability arising out of the use of any part or documentation.



| STANDARD TOLERANCES | |
|---------------------|--------|
| .X | ±0.2 |
| .XX | ±0.01 |
| .XXX | ±0.005 |

*STANDARD TOLERANCES APPLY ONLY TO DIMENSIONS IN INCHES

| | | | |
|--|----------|---|--------------------|
| | | NOTES: 1. UNLESS OTHERWISE SPECIFIED ALL DIMENSIONS ARE NOMINAL. 2. ALL SPECIFICATIONS ARE SUBJECT TO CHANGE WITHOUT NOTICE AT ANY TIME. 3. DIMENSIONS ARE IN INCHES [mm]. | |
| TITLE SMA Female to SMA Female Bulkhead Adapter | | DWG NO SM4955A | CAGE CODE 3FKR5 |
| CAD FILE | 04/26/18 | SHEET | 1 OF 1 |
| SCALE | N/A | SIZE | A |
| | | 7361 | |