

# ■ C-band PLL LNB - External Reference -

## MODEL No. NJS8486E, NJS8487E, & NJS8488E series

### < Features >

- \* **Low Noise Temperature**
  - Noise Temperature: 15 K
- \* **Low DC Current Drain**
  - DC Current Drain: 350 mA
- \* **Small Size & Light Weight**
  - Weight: 800 g
- \* **RoHS Compliance**



### < Line-Up >

Model No.	RF Frequency	Local Frequency	IF Frequency	Local Stability [-40 to +60 °C]	IF Connector	Power Supply
NJS8486E	3.400 to 4.200 GHz (Palapa C-band)	5.15 GHz	950 to	Depends on External Reference	F-type	+24 VDC (+12 to +24 VDC)
NJS8486EN			1,750 MHz		N-type	
NJS8487E	3.625 to 4.200 GHz (Standard C-band)	5.15 GHz	950 to		F-type	
NJS8487EN			1,525 MHz		N-type	
NJS8488E	4.500 to 4.800 GHz (Insat C-band)	5.76 GHz	960 to	F-type		
NJS8488EN			1,260 MHz	N-type		

### < Specifications >

Item	Specifications
Input Interface	Waveguide, CPR229 (with Groove)
Output Interface	N-type, female (50 ohm) [Model No.: NJS8486EN/87EN/88EN] F-type, female (75 ohm) [Model No.: NJS8486E/87E/88E]
Noise Temperature (Ta.: +25 °C)	15 K typ., 30 K max.
Linear Gain (Ta.: +25 °C)	59 dB min., 66 dB max.
Local Stability	Depends on External Reference
Requirement for External Reference	[Input Port] IF Output connector [Frequency] 10 MHz (sine-wave) [Input Power] -10 to 0 dBm @ Input port [Phase Noise] -135 dBc/Hz max. @ 100 Hz -143 dBc/Hz max. @ 1 kHz -145 dBc/Hz max. @ 10 kHz
L.O. Phase Noise	-70 dBc/Hz typ. @ 100 Hz -80 dBc/Hz typ. @ 1 kHz -85 dBc/Hz typ. @ 10 kHz -95 dBc/Hz typ. @ 100 kHz
Spurious	a) -140 dBm max. at input, Fixed frequency spur, unrelated to test CW signal (Measured at specified IF band). b) -55 dBc max. with test CW signal -10 dBm IF output (Measured at specified IF band).
Output V.S.W.R.	2.5 : 1 max.
Power Requirement	+24 VDC (+12 to +24 VDC)
Current Drain	350 mA max.
Temperature Range (ambient)	-40 to +60 °C (operating), -40 to +80 °C (storage)
Waterproof/Dustproof (IP Code)	IP 67
Dimension & Housing ( without Interface Connectors )	80.8 mm (L) x 99.6 mm (W) x 76 mm (H) [3.18" (L) x 3.92" (W) x 2.99" (H)]
Weight	800 g [1.76 lbs]

(1/3)

\*Note: The contents of this sheet are subject to change without notice.

Rev.06(Jun. 2018) C PLL LNB (Ext. Ref.)\_NJS8486E/87E/88E

 **New Japan Radio Co., Ltd.**

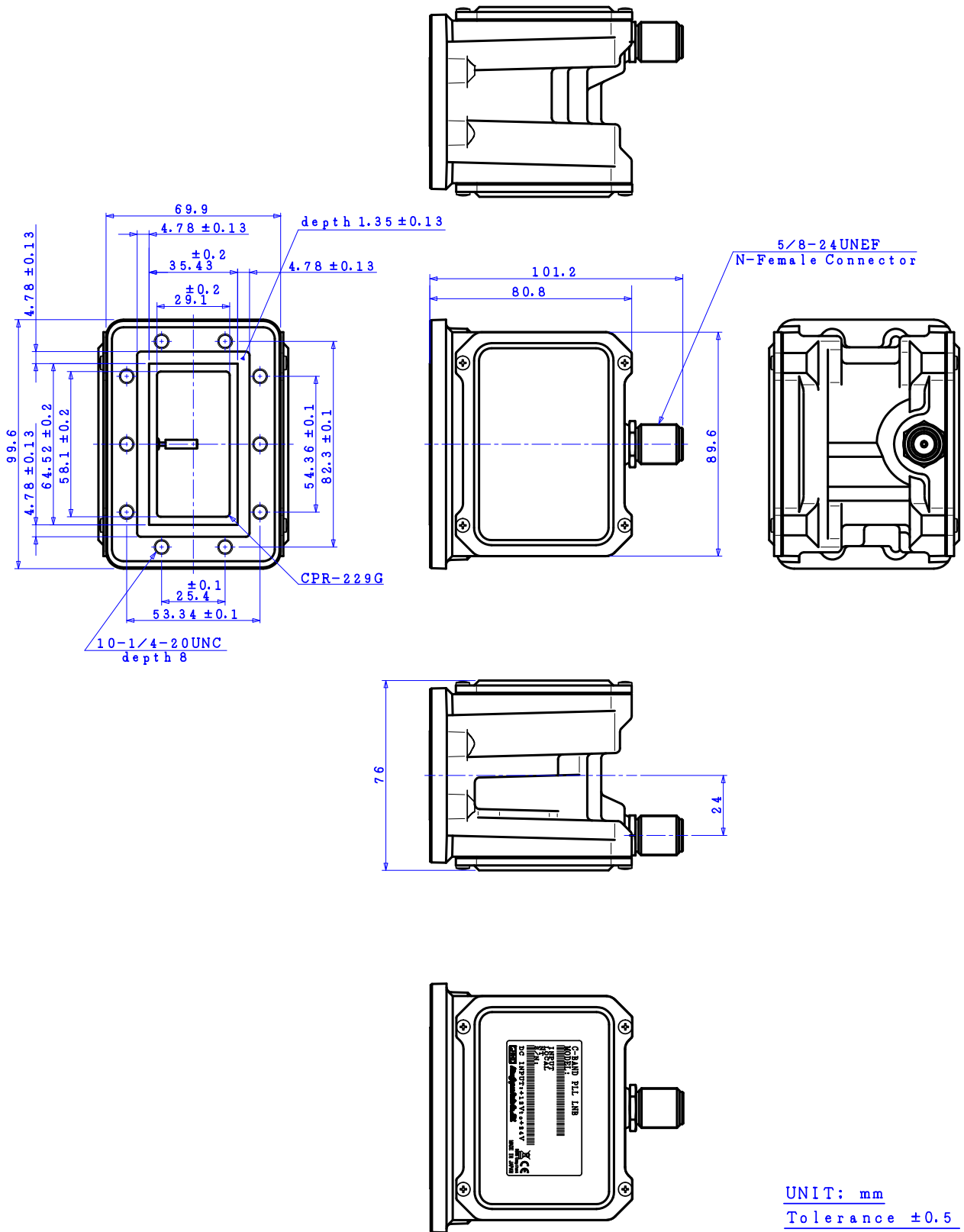
Microwave Division

URL: <http://micro.njr.com> email: [mcsales@njr.co.jp](mailto:mcsales@njr.co.jp)

Copyright © 2018 New Japan Radio Co., Ltd.

< **Outline Drawing** >

**N-type, female Connector Model**



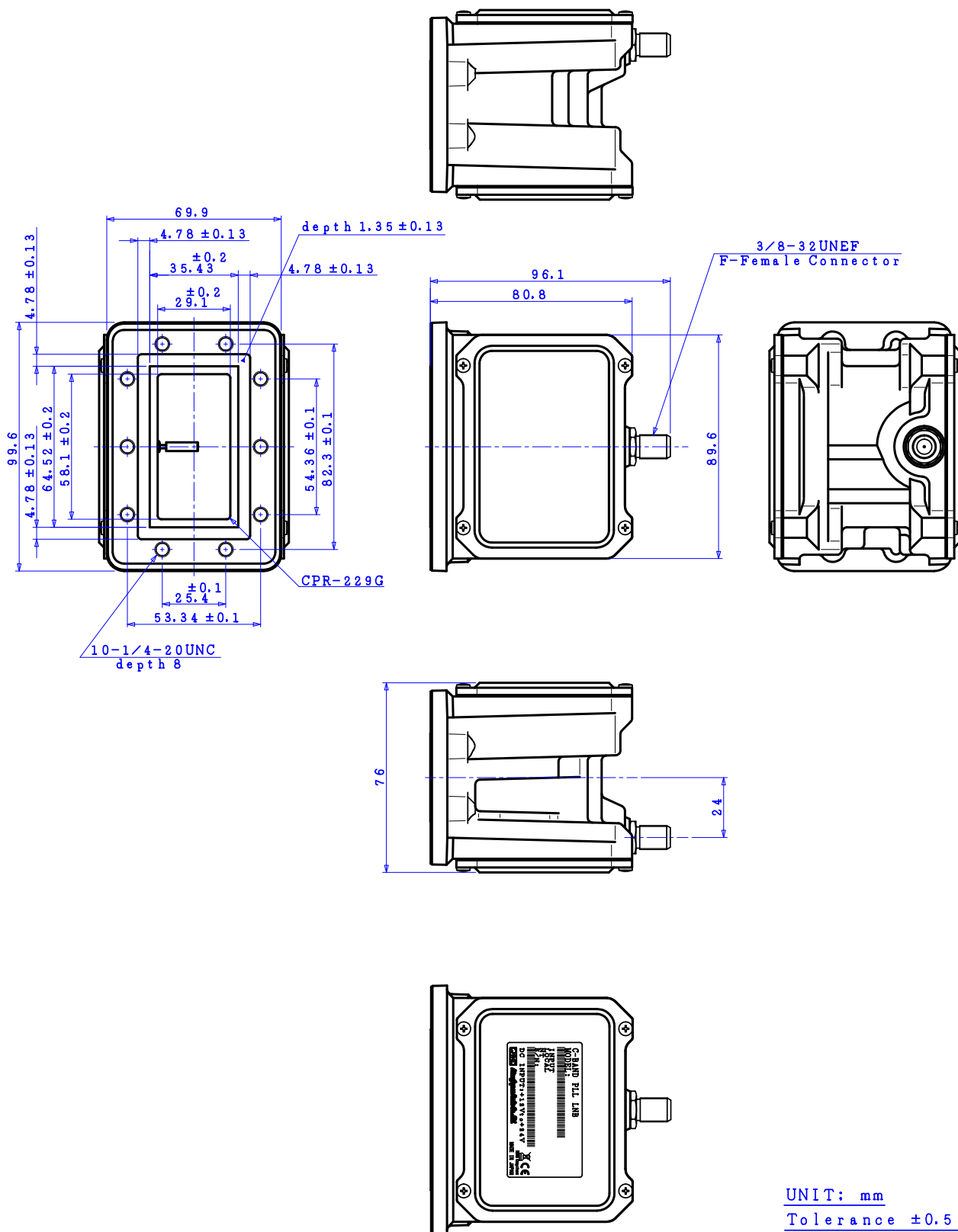
UNIT: mm  
Tolerance ±0.5

\*Note: The contents of this sheet are subject to change without notice.

Rev.06(Jun. 2018) C PLL LNB (Ext. Ref.)\_NJS8486E/87E/88E

< **Outline Drawing** >

**F-type, female Connector Model**



\*Note: The contents of this sheet are subject to change without notice.

Rev.06(Jun. 2018) C PLL LNB (Ext. Ref.)\_NJS8486E/87E/88E