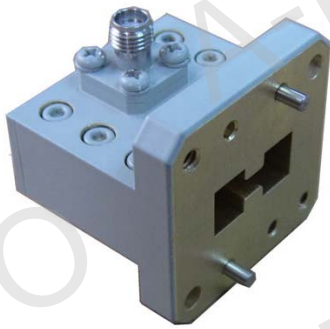
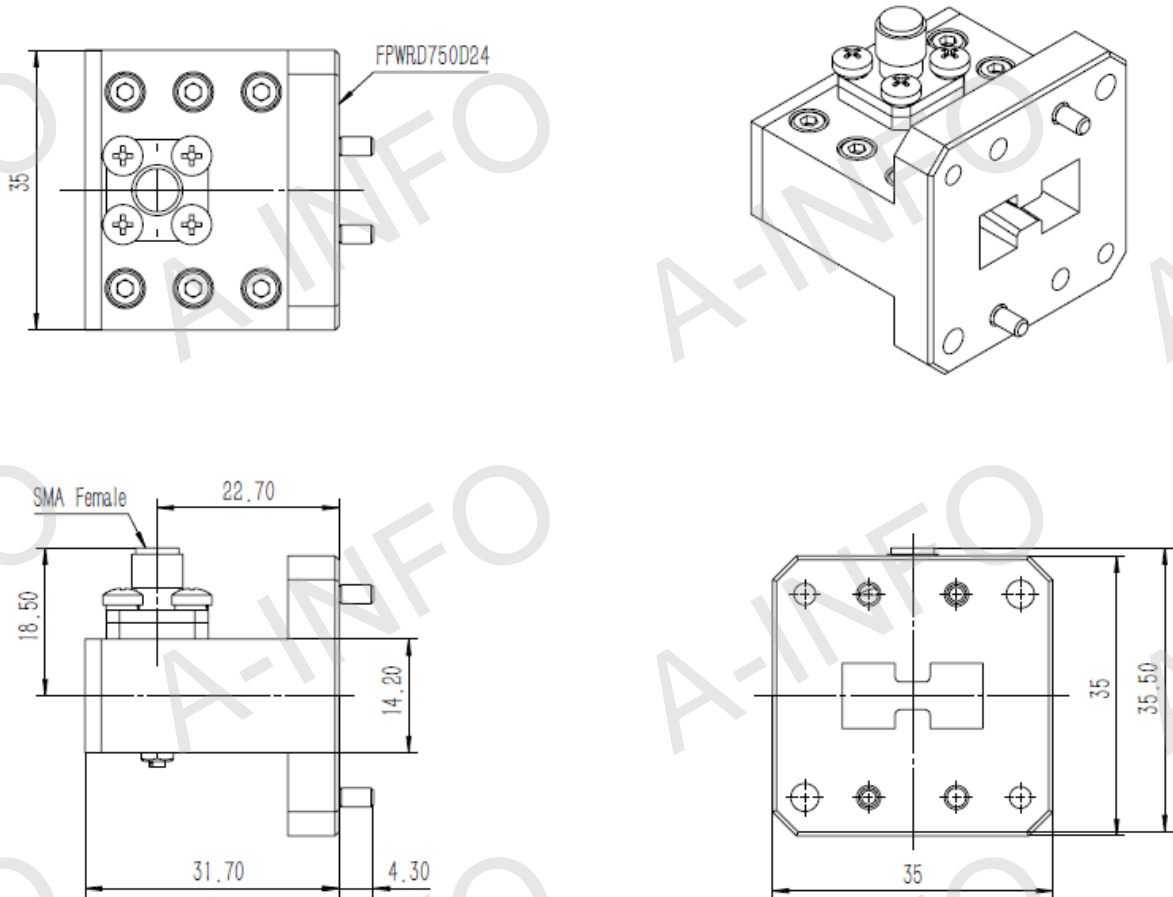


Technical Specification



EIA WRD	WRD750
Frequency Range(GHz)	7.5-18.0
VSWR	1.30 Max.
Average Power(W)	50 CW
Connector	SMA-F
Flange	FPWRD750D24
Material	Cu
Size(mm)	31.7x35x35.5
Net Weight(Kg)	0.13 Around

Outline Drawing (Size: mm)



Test Results

VSWR

