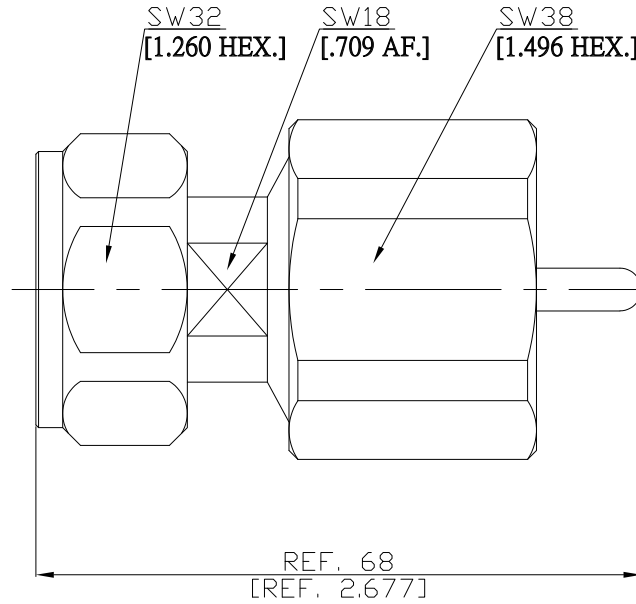


Adaptor plug/ jack
7/16 plug (male) / LC plug (male)

ME1550



All dimensions are in mm [inch]

Tolerances according to DIN ISO 2768-mH

Interface

7/16 according to

IEC 61169-4

LC according to

MIL-STD-348A

Electrical Data

Impedance

50 Ω

Frequency

DC to 1 GHz

VSWR (Return loss)

≤ 1.20 (≥ 20.83 dB)

Insertion loss

≤ 0.1 × √f[GHz]

Mechanical Data

Coupling mechanisms

7/16 (Screw-lock); LC (Screw-lock)

Weight

N/A

Environmental Data

Temperature range

-65°C to +165°C

RoHS

compliant

Material And Plating

Piece Parts (7/16)	Material	Plating
Centre contact	Brass	Gold plating(Nickel underplated)
Body	Brass	Copper-Tin-Zinc Alloy
Insulator	PTFE	
Gasket	Silicone Rubber	
Coupling nut	Brass	Copper-Tin-Zinc Alloy
Piece Parts (LC)	Material	Plating
Centre contact	Brass	Gold plating(Nickel underplated)
Body	Brass	Copper-Tin-Zinc Alloy
Insulator	PTFE	
Gasket	Silicone Rubber	
Coupling nut	Brass	Copper-Tin-Zinc Alloy

Packing

Single or 100

The facts and figures herein are carefully compiled to the best of our knowledge, but they are intended for general informational purposes only. In the effort to improve our products, we reserve the right to make changes judged to be necessary.

Rev.:
Date:
19/11/10

Rosnol RF/Microwave Technology
www.rosnol.com; info@rosnol.com
Phone: +886-3-463-5095 / Fax:+886-3-463-5952
N-CAGE Code: SFKK0

Page

1/1