

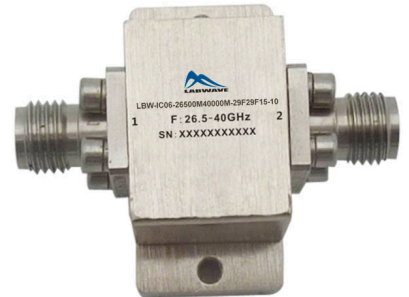


# P/N: LBW-IC06-26500M40000M-29F29F15-10

Широкополосный коаксиальный изолятор  
26,5 ГГц - 40 ГГц

## Характеристики:

- Передача мощности до 10 Вт
- Широкий рабочий диапазон
- Высокая развязка в пределах рабочего диапазона
- Низкие вносимые потери
- Стабильность характеристик вне зависимости от изменения температуры
- Возможность передачи сигналов LMDS
- Высокое значение средней мощности
- Характеристики могут быть изменены по требованию заказчика



Parameter	Min.	Typ.	Max.	Units
Frequency Range	26.5-40			GHz
Insertion Loss		1.3	1.6	dB
Isolation (Note 1)	14	15		dB
VSWR		1.5	1.6	:1
Forward Power (CW)			10	W
Reverse Power (CW)			1	W
Rotation	Clockwise			
Input / Output Connectors	2.92mm-Female			
Finish	Nickel Plated			
Case Material	Copper			
Weight	1.3Max.			Ounces
Impedance	50			$\Omega$

### Note 1 :

Units which have a narrower frequency bandwidth can achieve higher isolation & lower insertion loss

Bandwidth (5 ~10) % x Center Frequency (Isolation >23dB)

Bandwidth (20~30) % x Center Frequency (Isolation >21dB)

Bandwidth (40~60) % x Center Frequency (Isolation >20dB)

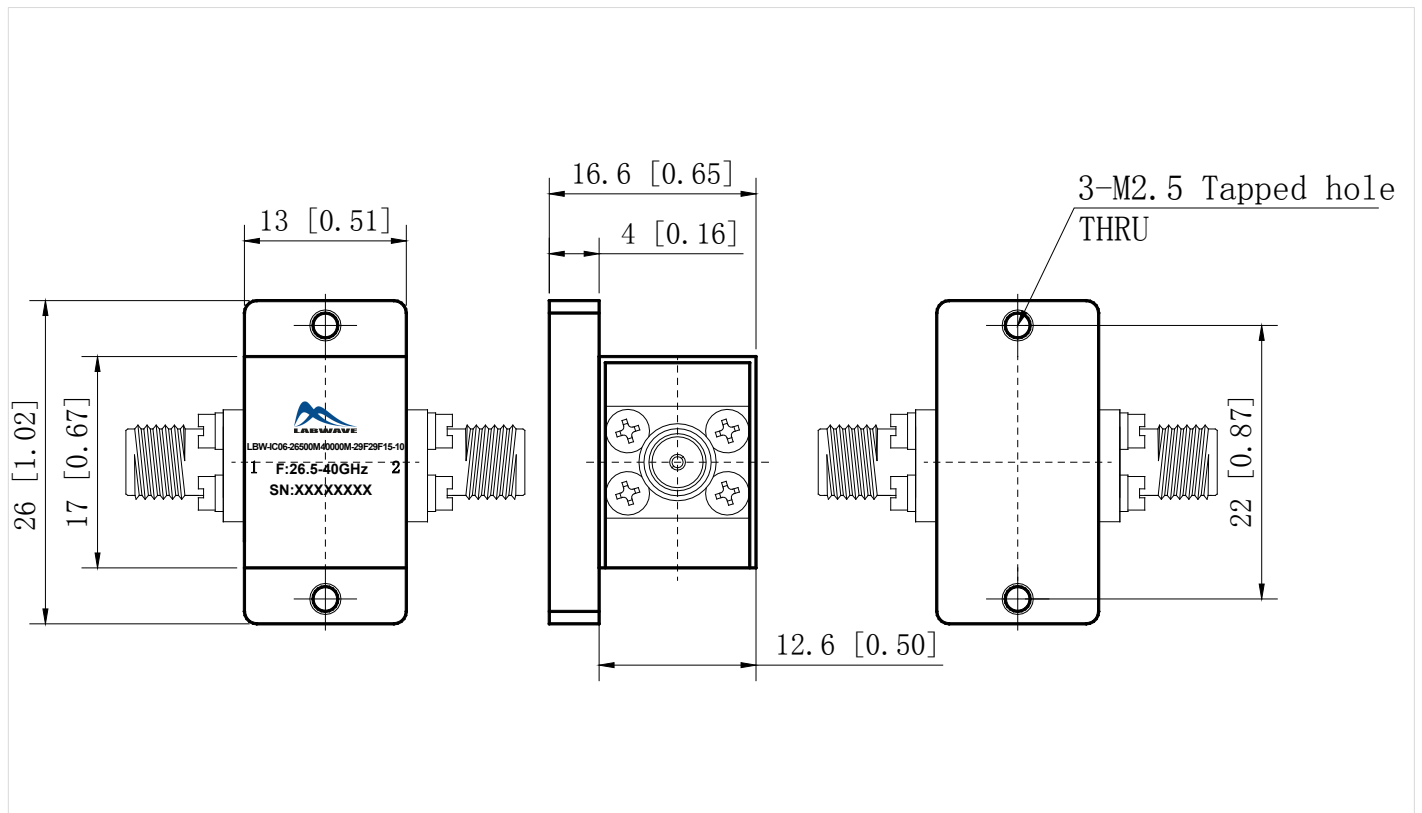
Ask manufacture for detail

**Environmental Specifications**

Operational Temperature	-40°C~+85°C
Storage Temperature	-50°C~+105°C
Altitude	30,000 ft. (Epoxy Sealed Controlled environment)
	60,000 ft. 1.0psi min (Hermetically Sealed Un-controlled environment) (Optional)
Vibration	25gRMS (15 degrees 2KHz) endurance, 1 hour per axis
Humidity	100% RH at 35°C, 95%RH at 40°C
Shock	20G for 11msec half sine wave,3 axis both directions

**Outline Drawing:**

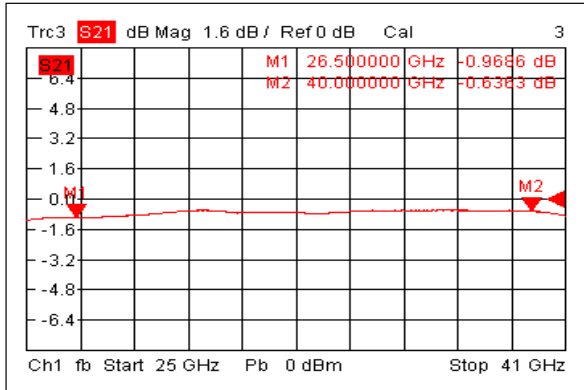
All Dimensions in mm (inches) Tolerance ±0.25(0.01)



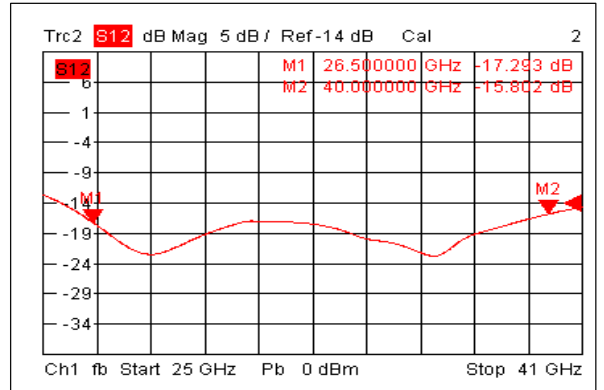
**Note:**

Due to the isolators and circulators belong to magnetic components, please far away from the magnetic matters by over 2 inches when you install or place.

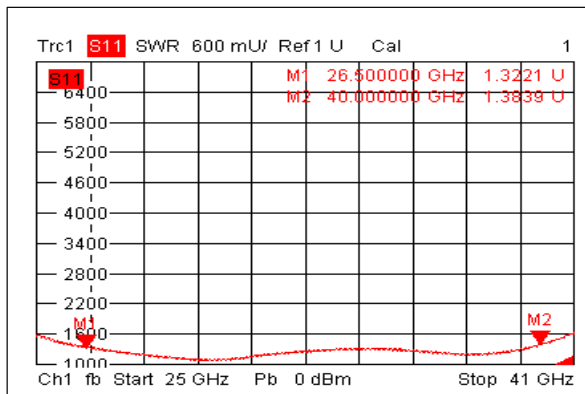
### Insertion Loss



### Isolation



### VSWR 1



### VSWR 2

