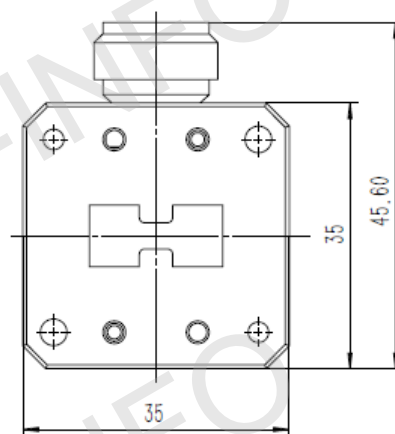
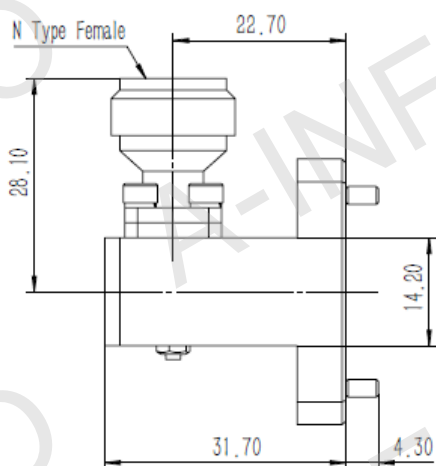
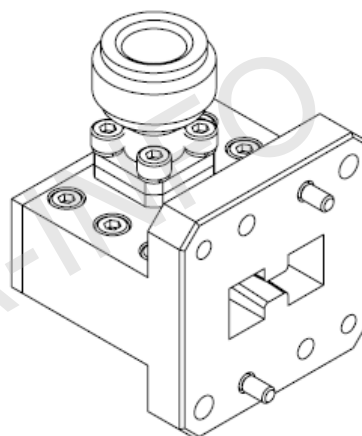
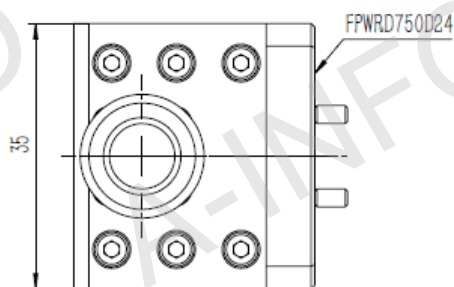


Technical Specification



EIA WRD	WRD750
Frequency Range(GHz)	7.5-18.0
VSWR	1.30 Max.
Average Power(W)	150 CW
Peak Power (KW)	5
Connector	N-F
Flange	FPWRD750D24
Material	Cu
Size(mm)	31.7x35x45.6
Net Weight(Kg)	0.13 Around

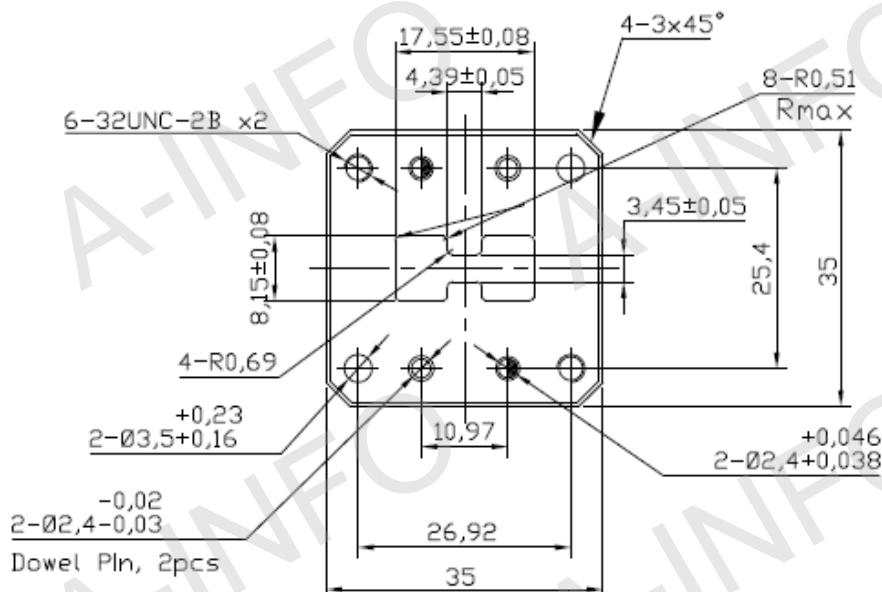
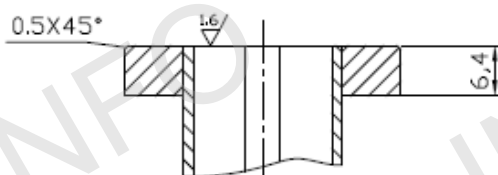
Outline Drawing (Size: mm)



Flange Drawing (Size: mm)

FPWRD750D24

(With two through mounting holes
and two screws holes)



Test Results

VSWR

