

# SHV PLUG-JACK RIGHT ANGLE ADAPTER

SM3855

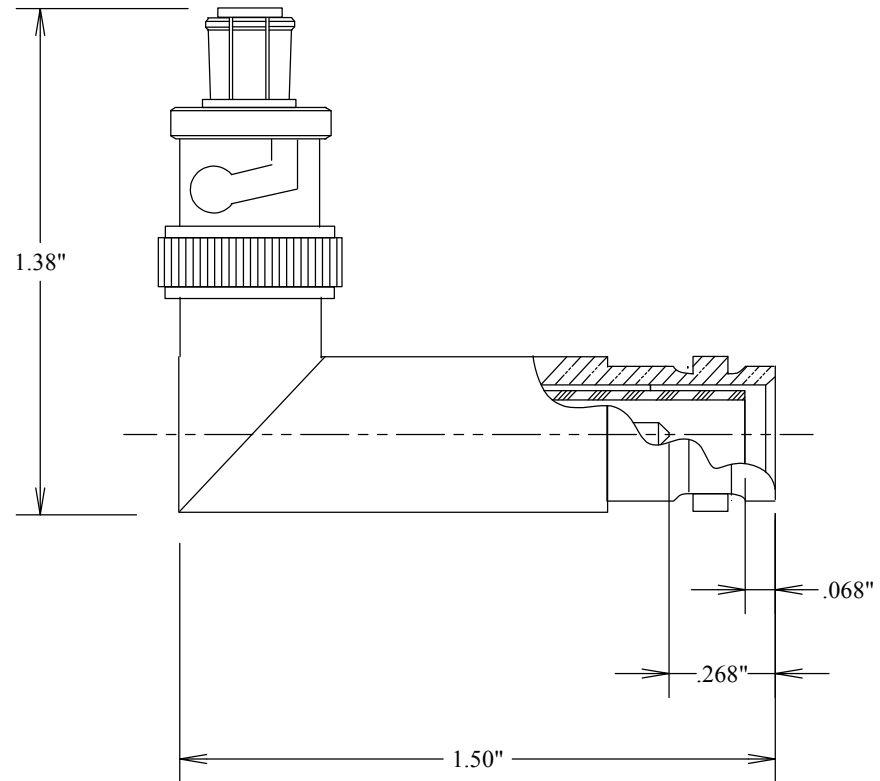
## SPECIFICATIONS

### ELECTRICAL

FREQUENCY: 0-300 MHZ  
IMPEDANCE: 50 OHMS  
VSWR: 1.20:1 MAX

### MECHANICAL

MATERIALS BODY: NICKEL PLATED BRASS  
CONTACT: BeCu, Si PLATED  
INSULATOR: TEFLON



**FAIRVIEW MICROWAVE INC.**

ALLEN, TX 75013 WWW.FAIRVIEWMICROWAVE.COM

TITLE

**SHV PLUG-JACK RIGHT ANGLE ADAPTER**

SIZE	CAGE CODE	DWG NO	REV
<b>A</b>	<b>3FKR5</b>	<b>SM3855</b>	--

SCALE

SHEET